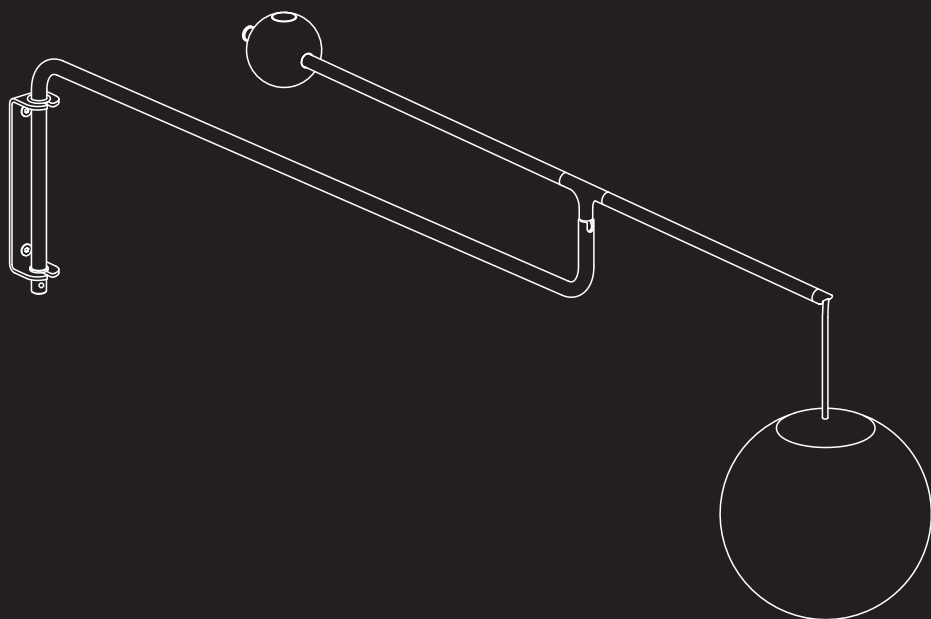


MALAMATA WALL

design Schulab



**LUCE
PLAN**

B01



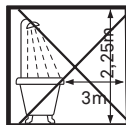


B01A22

01



02



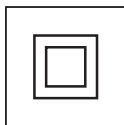
03



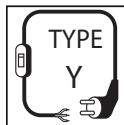
07



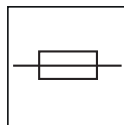
12



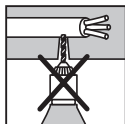
18



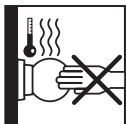
28



34



37



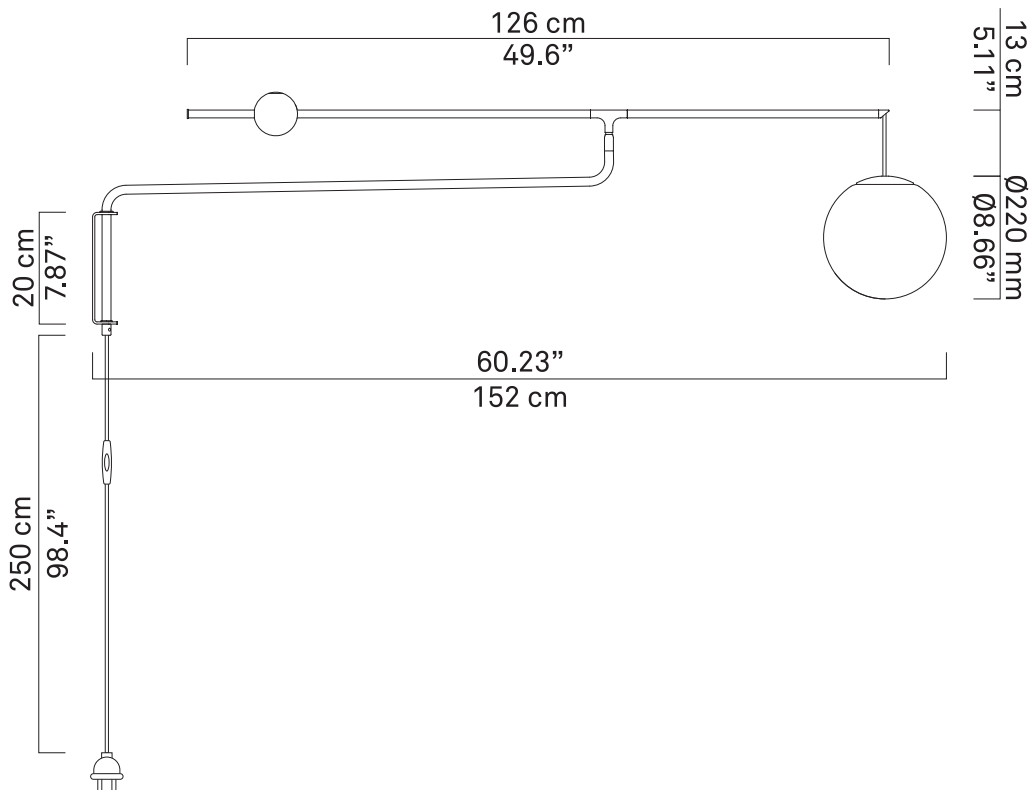
38



50



B01A22



kg 6 kg

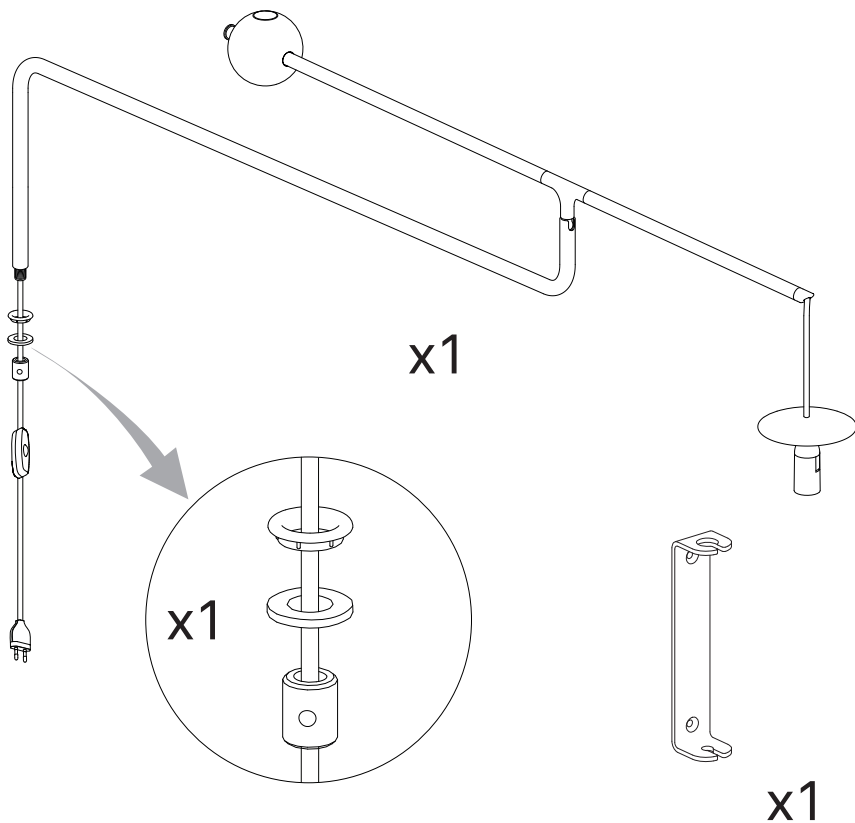
lb 13.2 lb



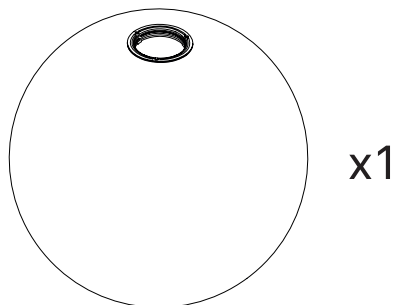
LED E14
max Ø40 mm
max Ø1.57"

B01A22 + B01/1

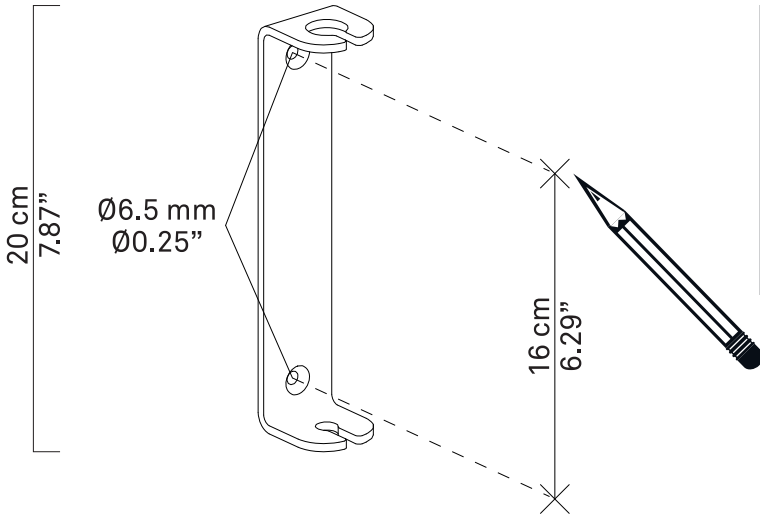
B01A22



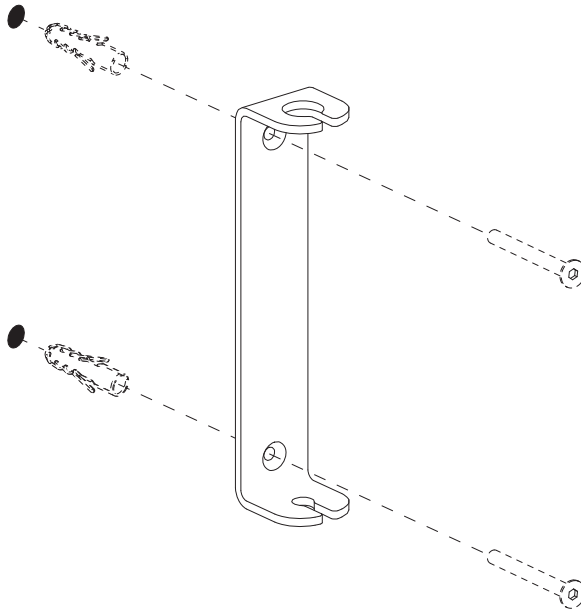
B01/1 - Ø220 mm / Ø8.66"



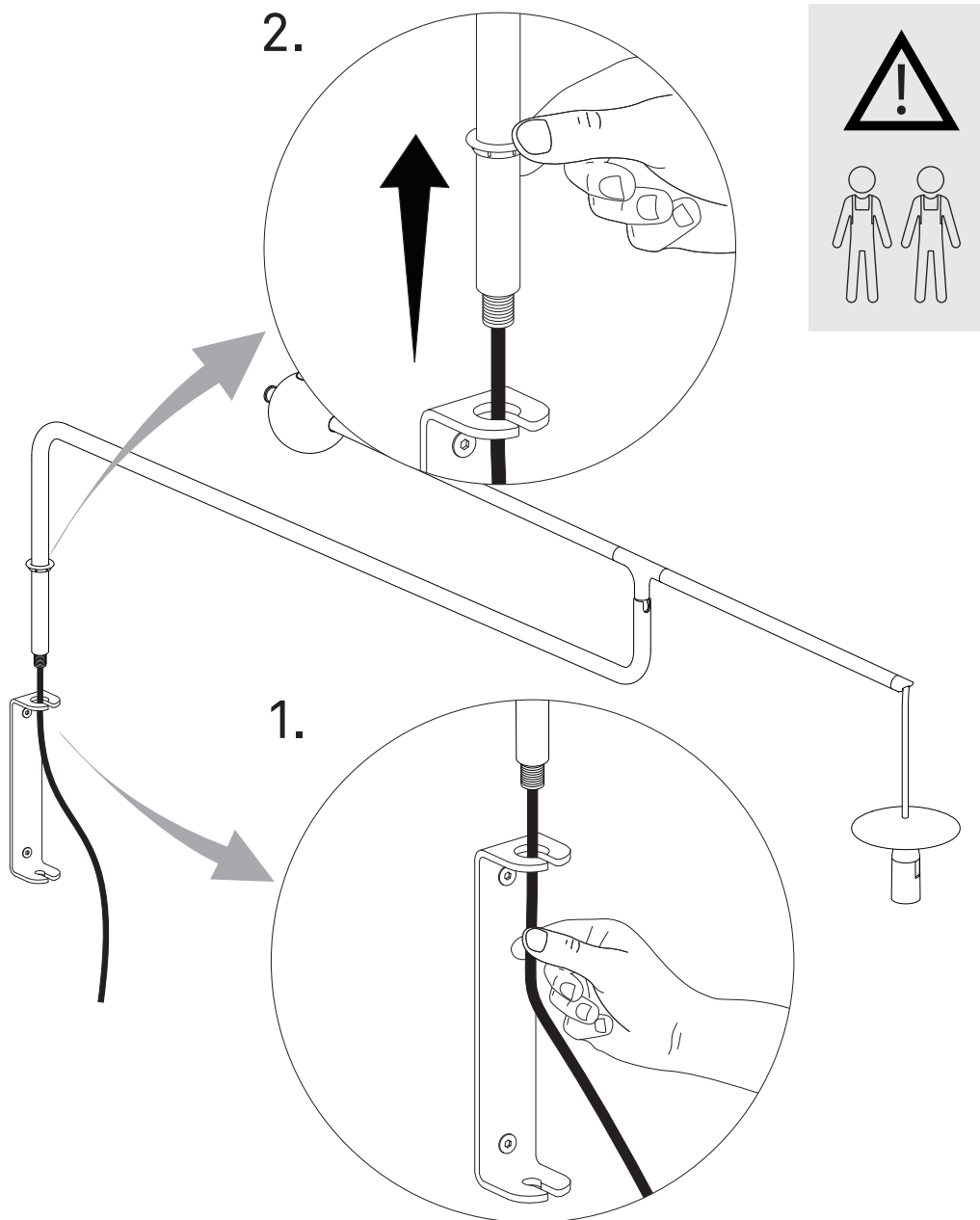
1 | 1.1

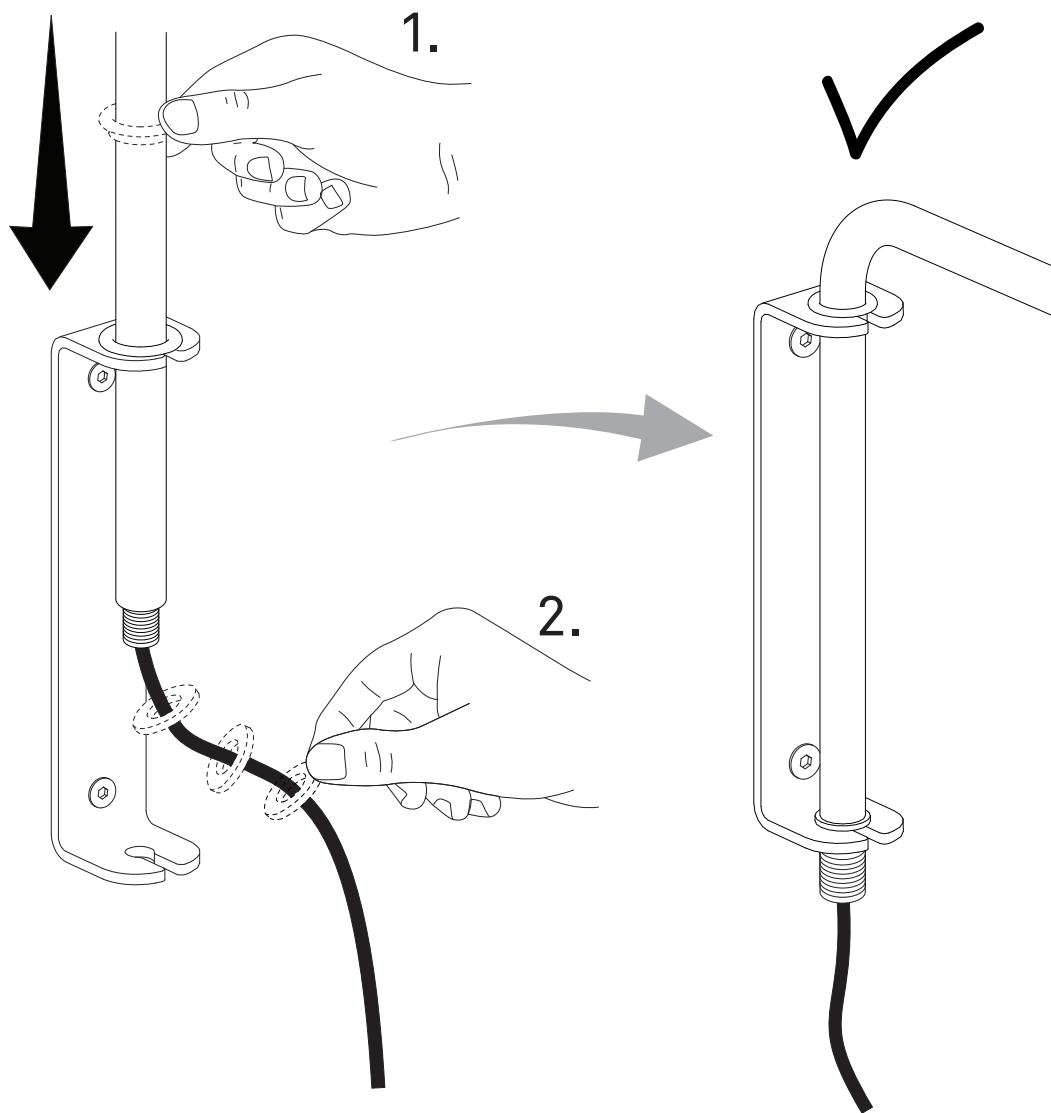


1.2

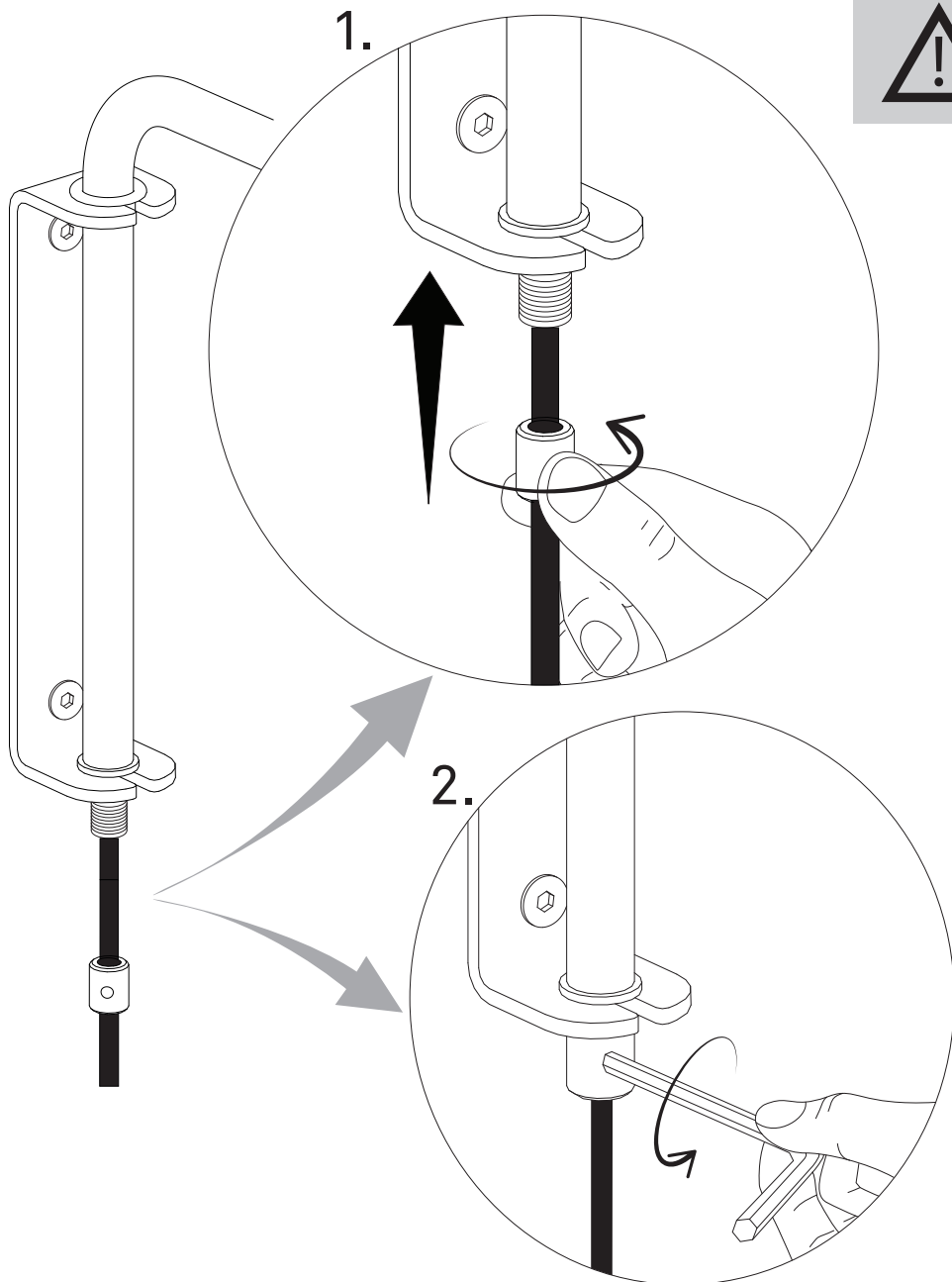


2 | 2.1



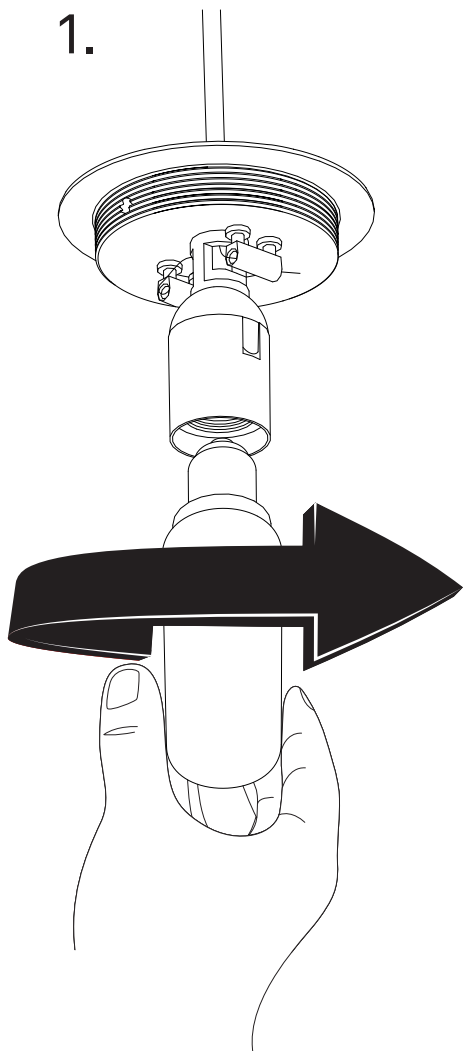


2.2

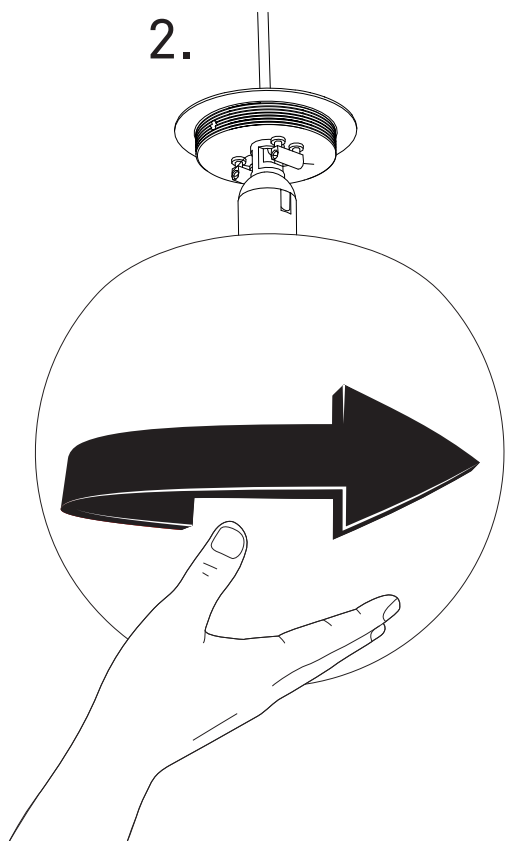


3

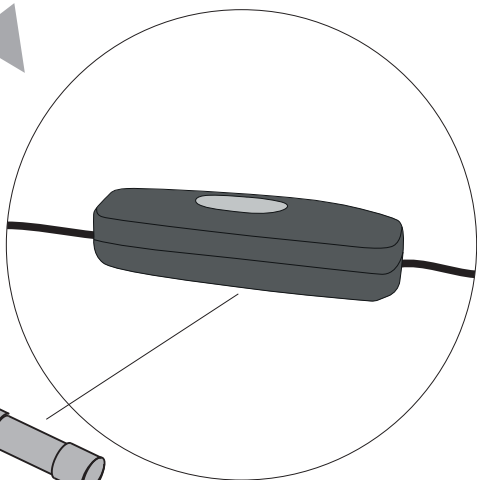
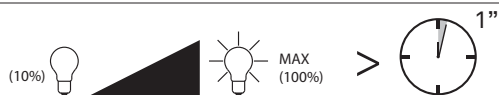
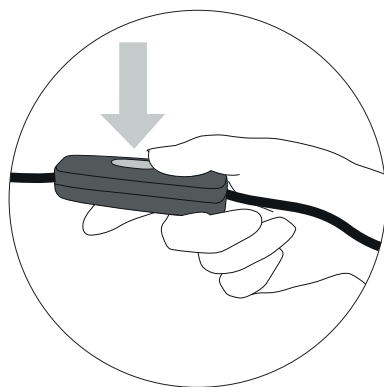
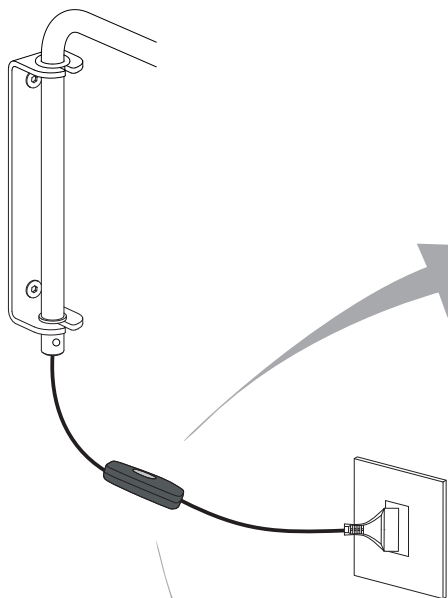
1.



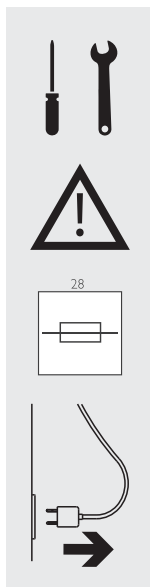
2.



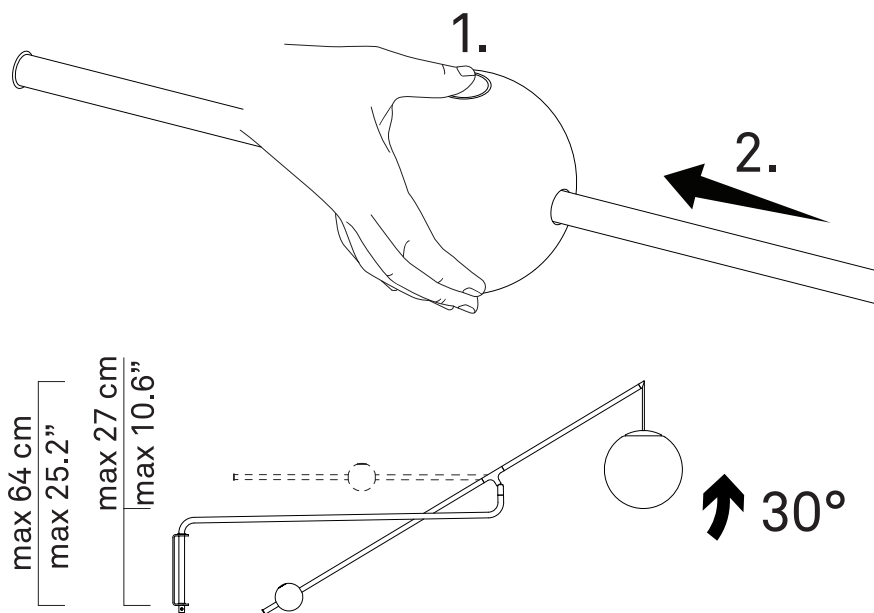
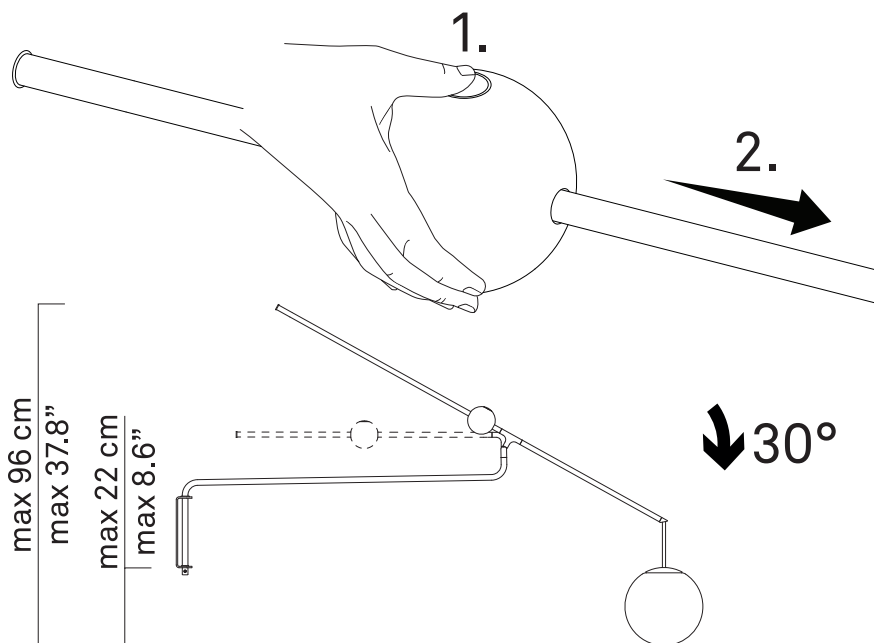
4

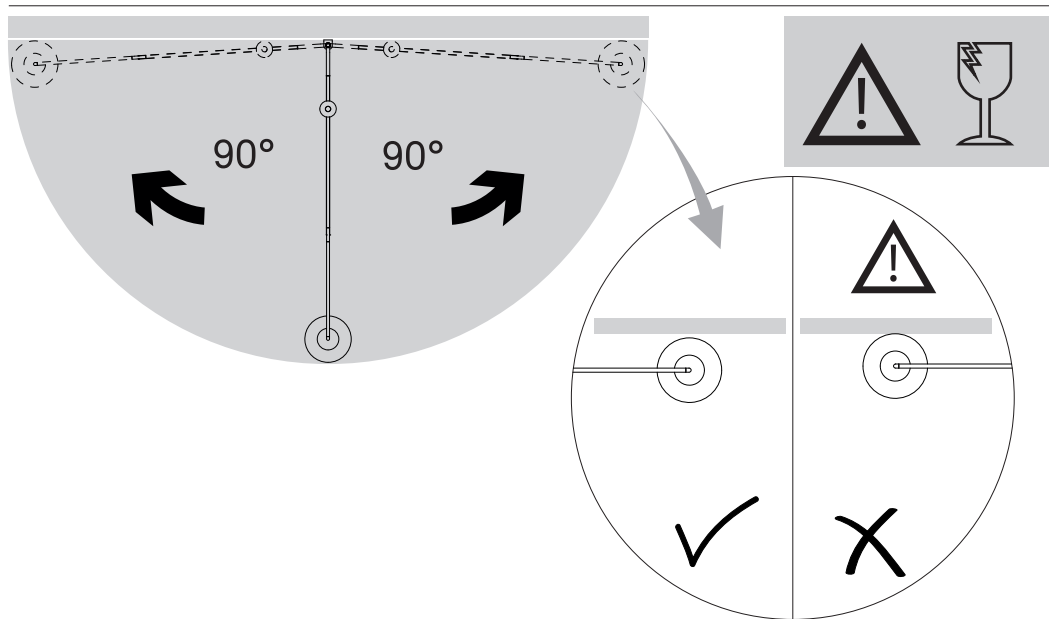
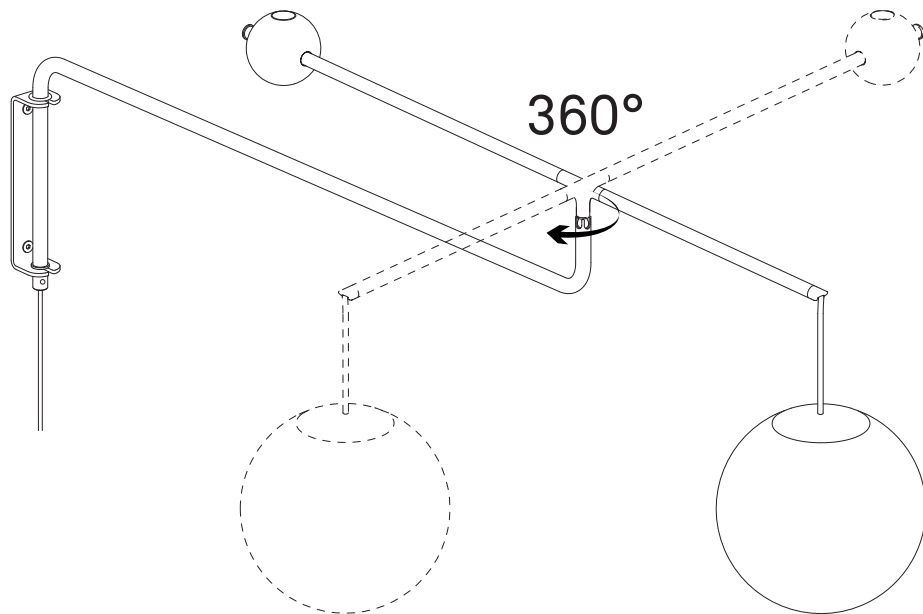


T 800 mA H 250V

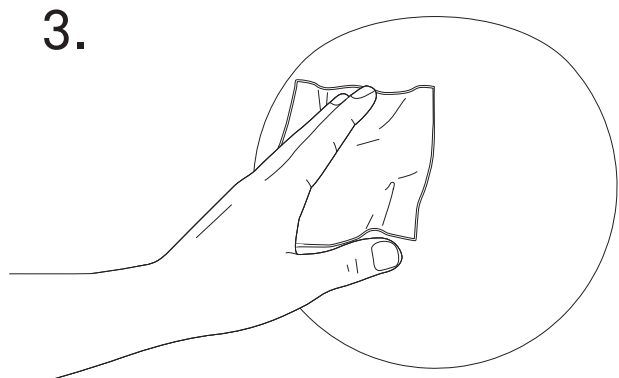
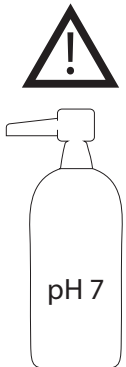
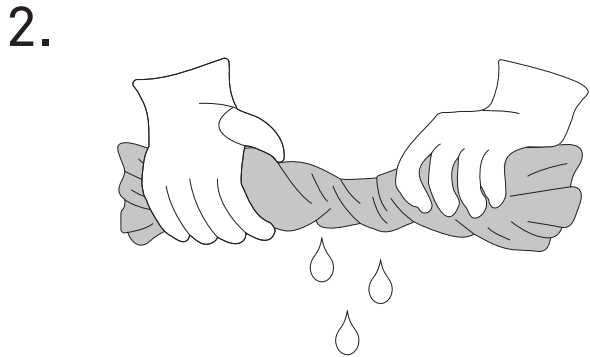
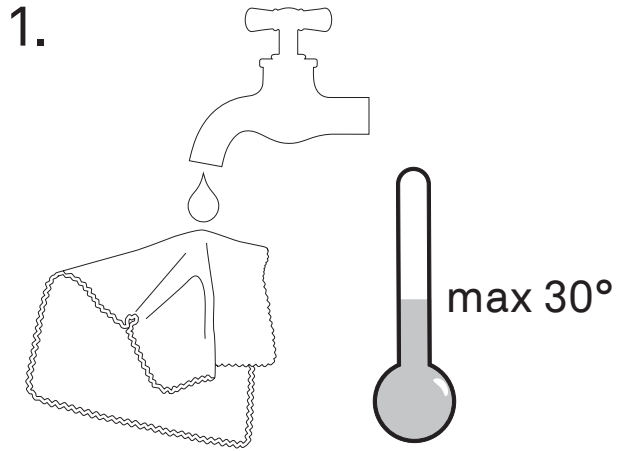
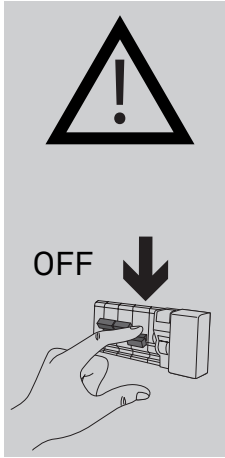


5





8





www.luceplan.com

B010I0003

120019000.00