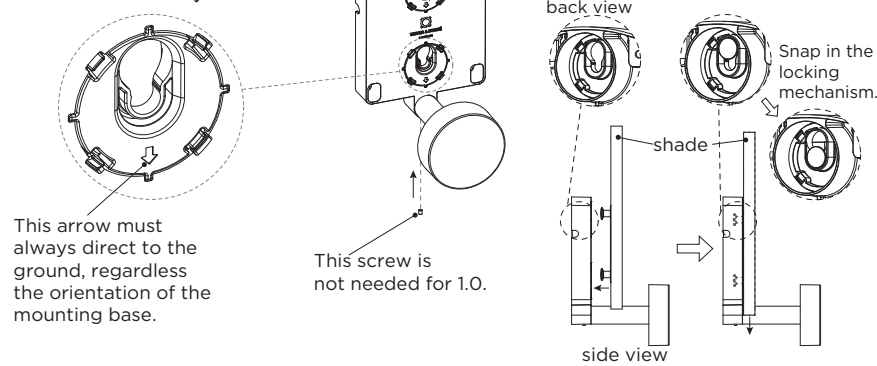
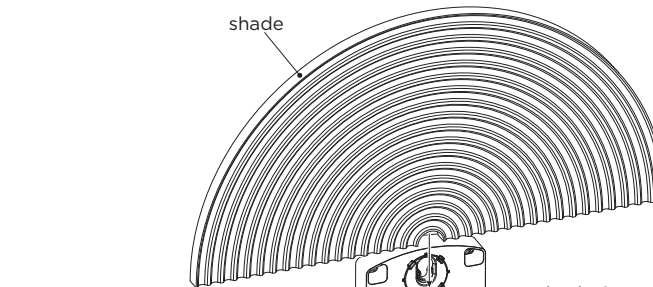
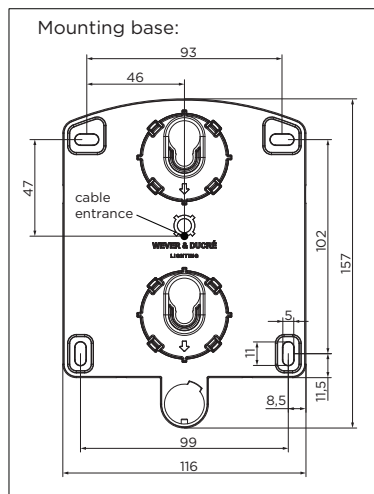
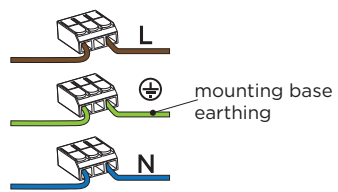
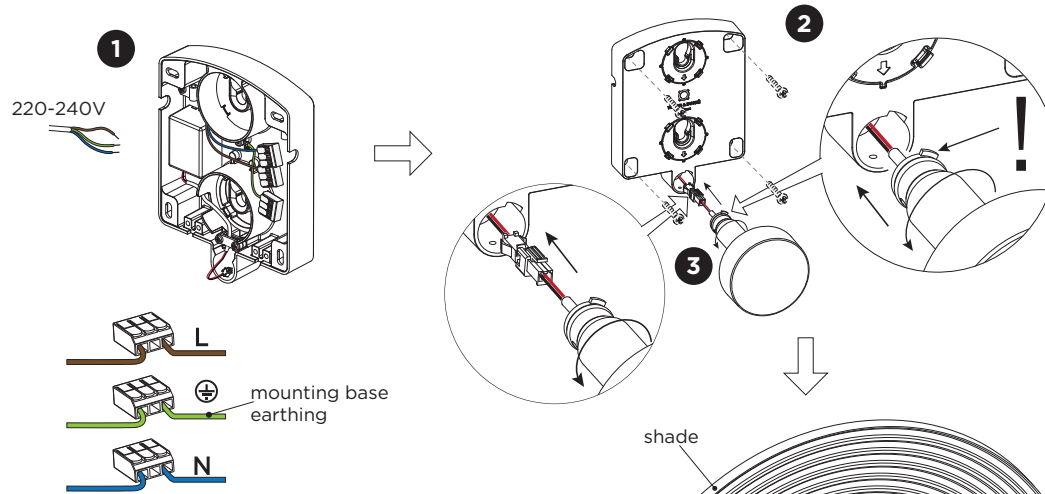
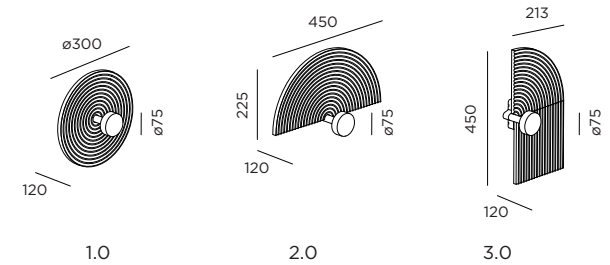


TAPIS

INSTALLATION INSTRUCTIONS | MARCH 2023



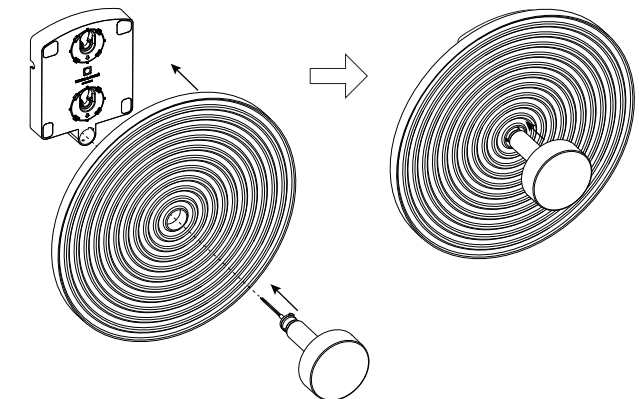
DIMENSIONS



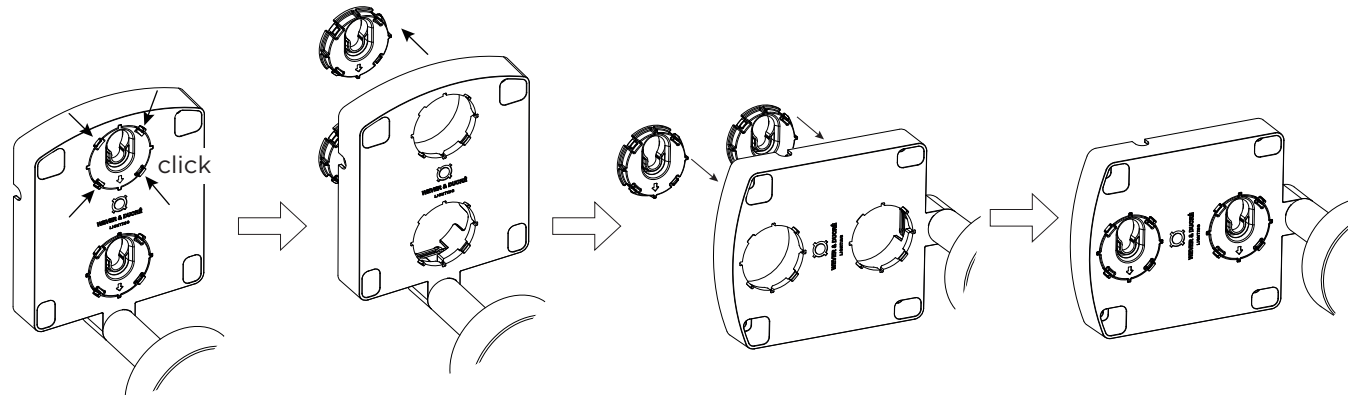
MOUNTING INSTRUCTION

- 1** **Power:** connect to 220-240V.
- 2** Install the mounting base on the wall by screwing (screws are not included).
- 3** Install the luminaire body.
- 4** Mount the shade.

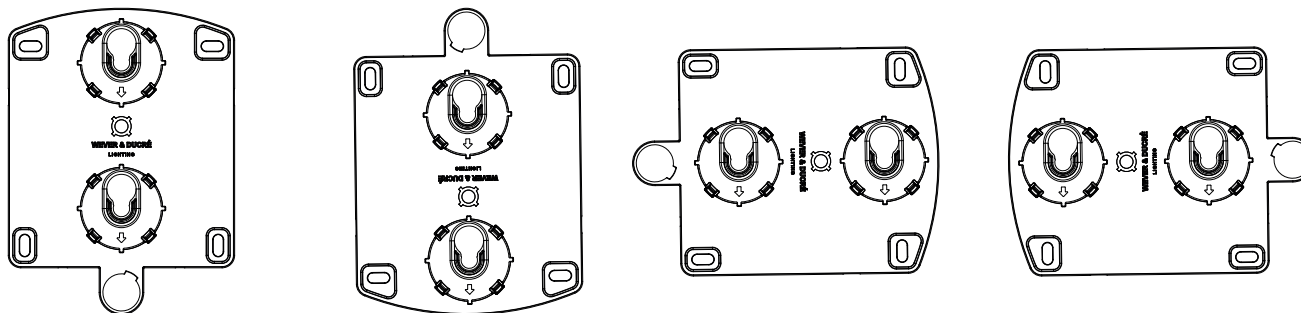
For 1.0: mount the shade first:



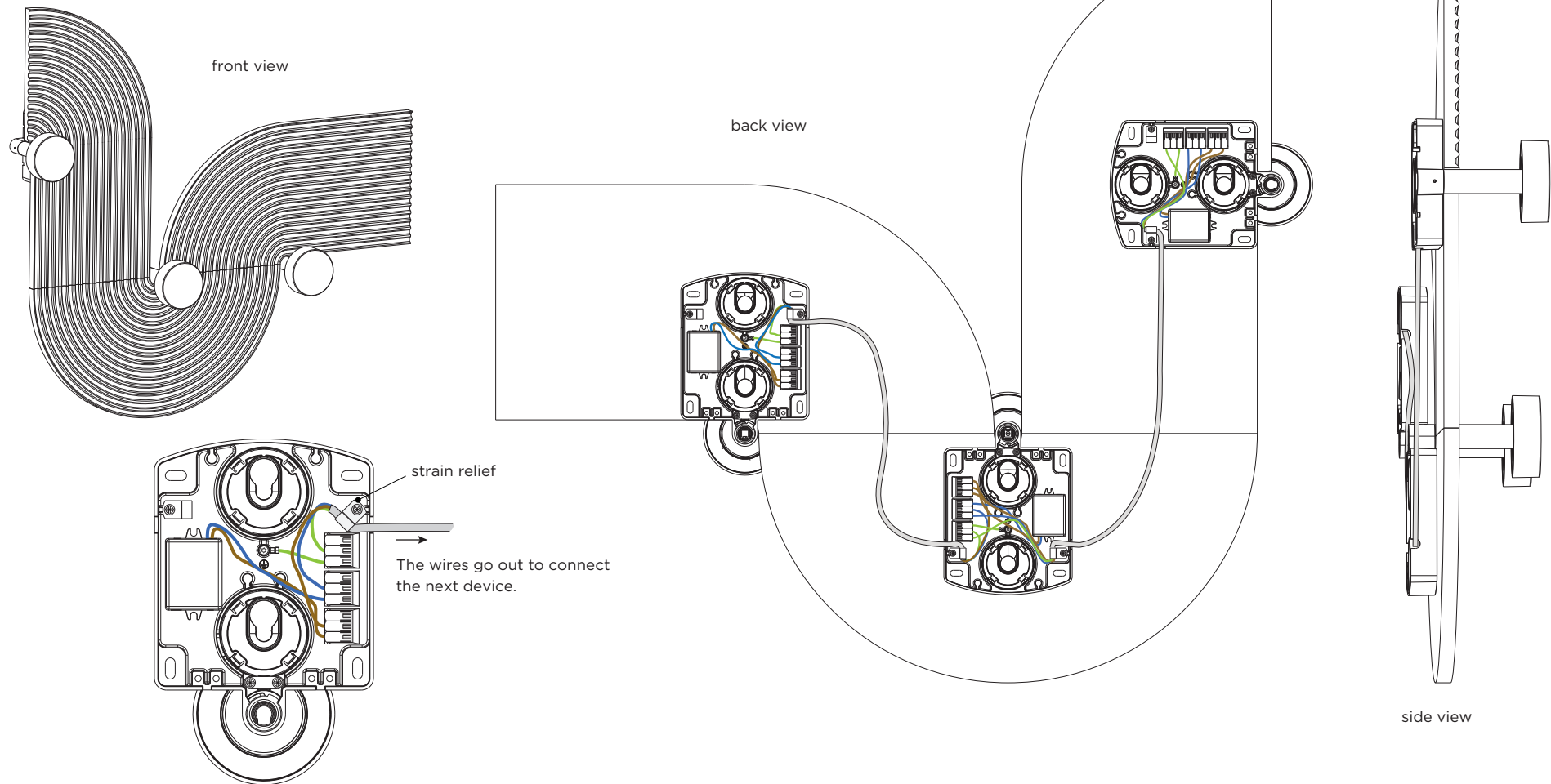
When the orientation of the mounting base needs to be changed, the adjustment method is shown below:



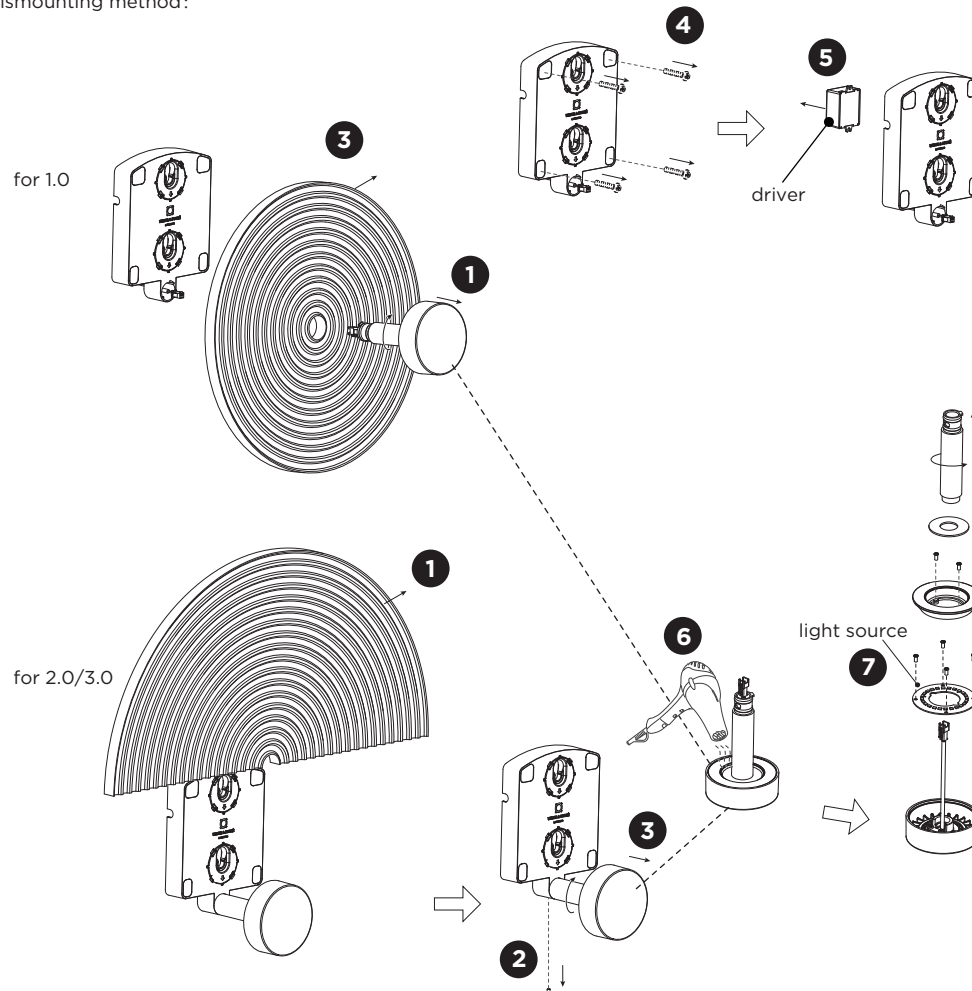
Mounting base can have different orientations:



Example of power connection for multiple devices.



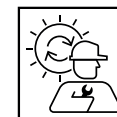
Dismounting method:



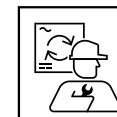
DISMOUNTING AND RECYCLING INSTRUCTIONS

Light source & driver

- 1 For 1.0: remove the lamp body from the mounting base.
For 2.0/3.0: remove the shade from the mounting base.
- 2 Only for model 2.0 and 3.0: loosen the socket screws.
- 3 For 1.0: Remove the shade from the mounting base.
For 2.0/3.0: Remove the lamp body from the mounting base.
- 4 Unscrew the screws, disconnect the wires and remove the mounting base from the wall.
- 5 Pull out the driver after disconnecting the wires.
- 6 Heat the tube's bottom end to soften the threaded glue.
- 7 Unscrew the tube, remove all the components and remove the light source.



The light source is replaceable by an authorized professional.
For advice contact your Wever & Ducré customer service contact point.



The driver is replaceable by an authorized professional.
For advice contact your Wever & Ducré customer service contact point.



This luminaire contains a light source with the energy class E.