

FLOS

F3154044 24K Gold

IC T3 10 Anniversary

Designed by Michael Anastassiades, 2024



LED retrofit

Table lamp providing diffused light. Gold plate 24 carat frame. Blown glass opal diffuser. Dimmer on the power chord.

Are you a professional and your project needs consulting and support?

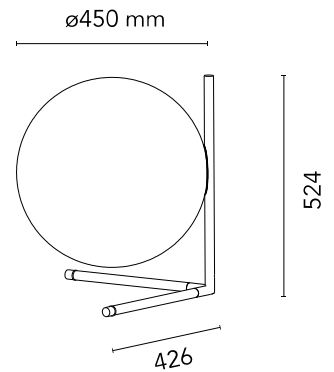
[BOOK AN APPOINTMENT](#)

Main specifications


EAN	8059607068267
Mounting	Table
Environments	Indoor dry location
Light Source Type	Bulb
Lamp category	LED retrofit
Lamp holders	E27
Bulb finish	Opal
Number of heads	1

Physical


Colour	24K Gold
Length (mm)	480
Cord length (mm)	2000
Net weight (kg)	7.4
Package volume (m3)	0.22
IP internal	20



Download

[Mounting instructions](#)  PDF

Photometric Files

[LDT / IES](#)  ZIP

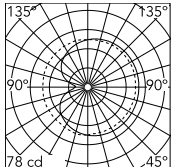
Technical Drawings

[2D](#)  ZIP

[3D](#)  ZIP



Schematic light drawing



Luminous flux Luminaire
3515 lm

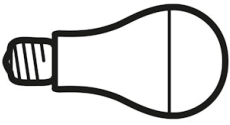
Photometric

Lighting type	Indirect, Direct
Light distribution	Asymmetric

Electrical

Insulation class	I
Frequency (Hz)	50/60
Main voltage (Vac)	220-240
Dimmable	Yes
Dimming interface	Dimmer Integrated
Plug type	Type C
Batteries inside	No

Bulbs



INCLUDED

RF36503

LED 25W E27 3700lm 2700K

240° DIMMER