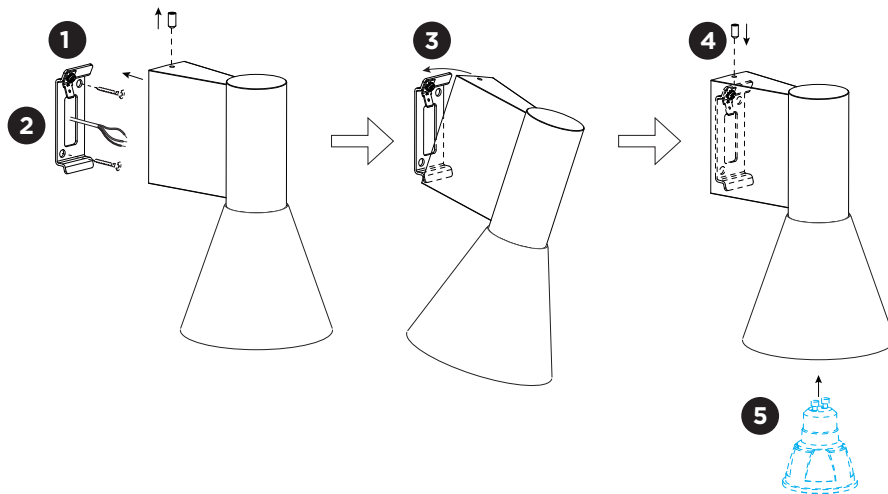


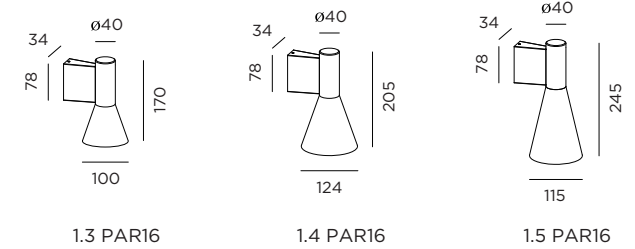
ODREY WALL 1.3 / 1.4 / 1.5

INSTALLATION INSTRUCTIONS | JUNE 2023

installation:



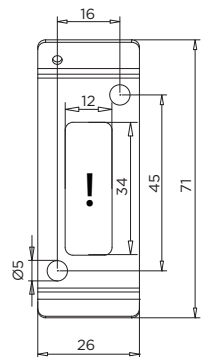
DIMENSIONS



MOUNTING INSTRUCTION

- 1** Remove the mounting base from the luminaire by loosening the socket screw and mount it on the wall with screws (screws are not included).
- 2** **POWER CONNECTION**
Connect to 100-240V.
Connect the earth cable.
- 3** Attach the luminaire to the mounting base with the lower side first and tilt towards the wall as shown.
- 4** Fix the luminaire on the base with the socket screw.
- 5** Mount a lamp to the luminaire.

Mounting base:



How to remove the shade when necessary.

