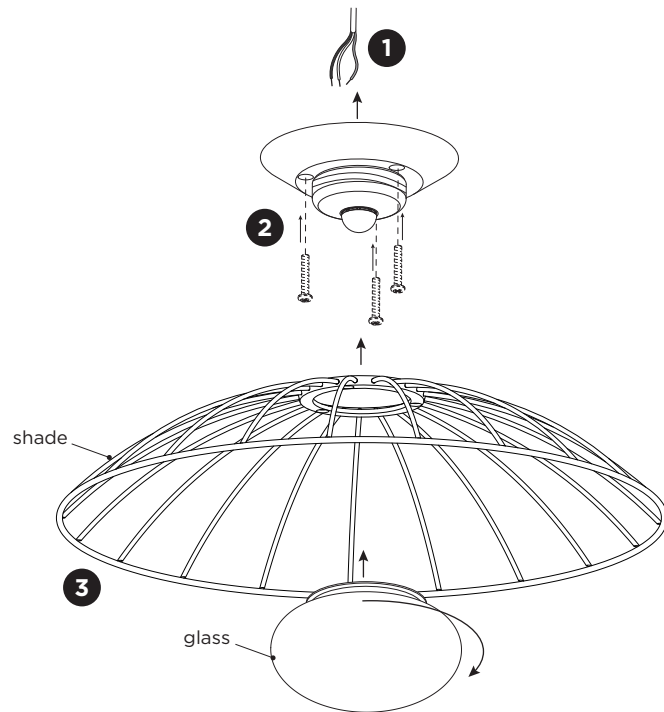


# CLOCK

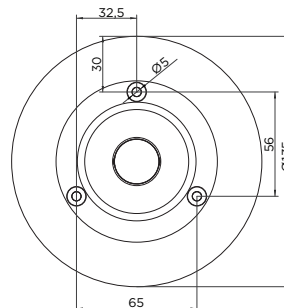
INSTALLATION INSTRUCTIONS | JUNE 2023



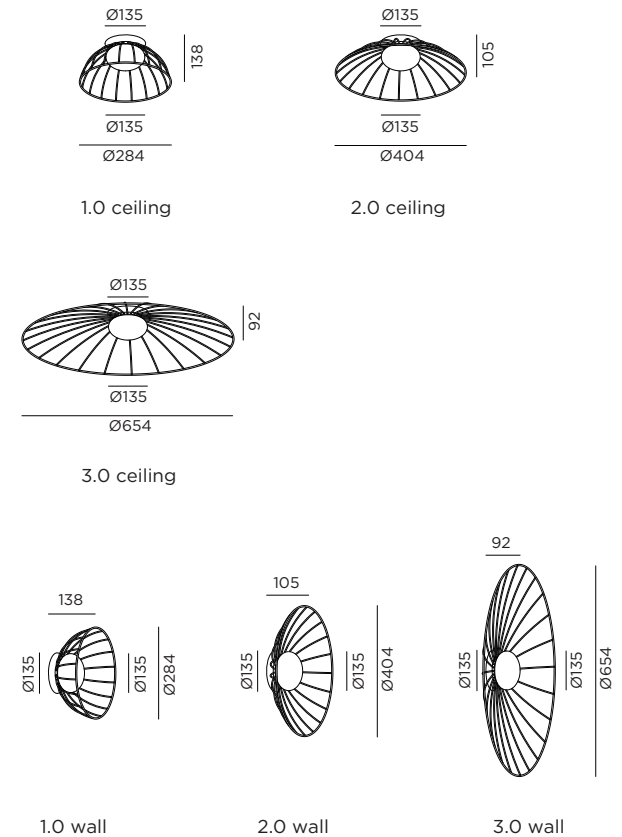
## MOUNTING INSTRUCTIONS

- 1 POWER CONNECTION**  
Connect to 220-240V
- 2** Mount the mounting base on the ceiling/wall with screws (screws are not included).
- 3** Fix the shade on the base by screwing the glass on the base.

### Mounting base:

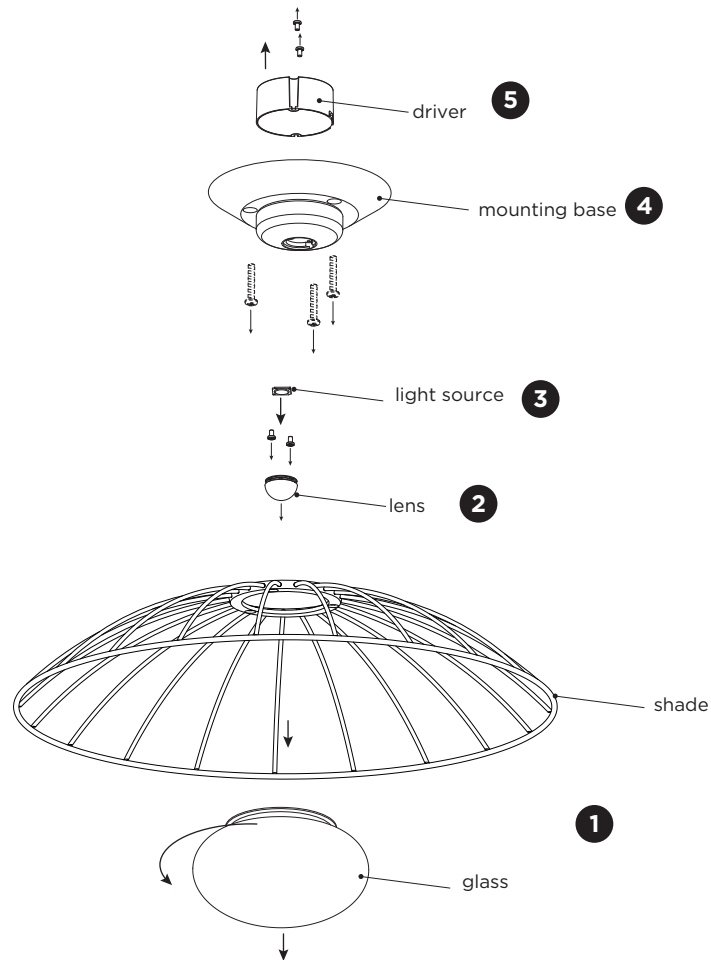


## DIMENSIONS



# CLOCK

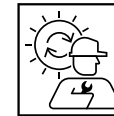
INSTALLATION INSTRUCTIONS | JUNE 2023



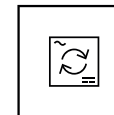
## DISMOUNTING AND RECYCLING INSTRUCTIONS

### Light source & driver

- 1** Unscrew the glass and then remove the glass together with the shade.
- 2** Remove the lens by pulling.
- 3** Remove the light source by unscrewing it from the base.
- 4** Remove the mounting base by unscrewing it from the ceiling/wall.
- 5** Unscrew the driver and disconnect the wires to remove it.



The light source is replaceable by an authorized professional.  
For advice contact your Wever & Ducré customer service contact point.



The driver can be replaced by the end user.

This luminaire contains a light source with the corresponding energy class:

colour temperature	Energy class
2700K	A ↑ G E
3000K	A ↑ G D