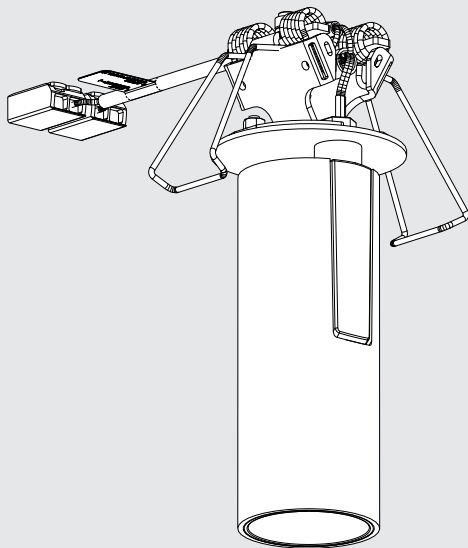
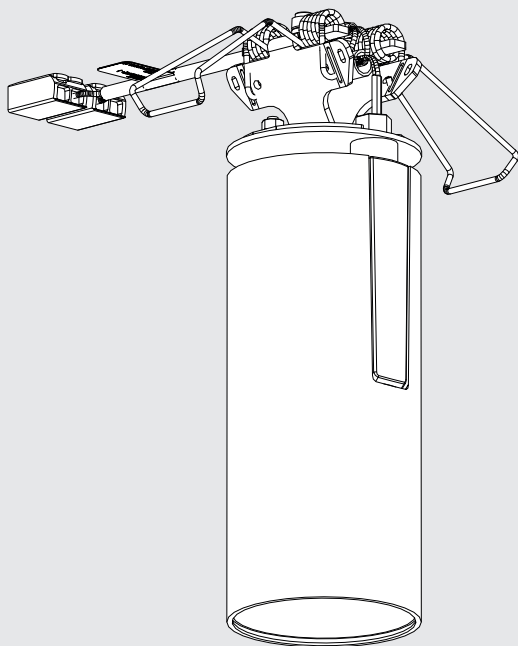


VECTOR 40/55 SEMI-RECESSED

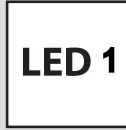
design
Carlotta De Bevilacqua





i

VECTOR
40/55 DALI

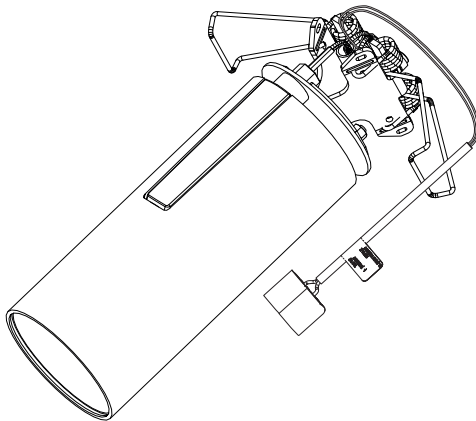
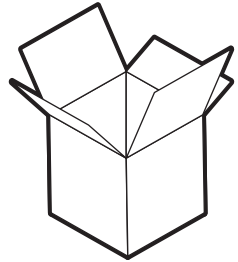
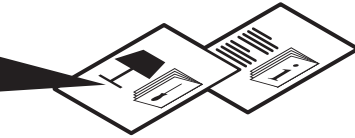
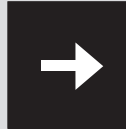
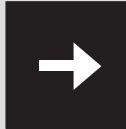


VECTOR 40

VECTOR 40

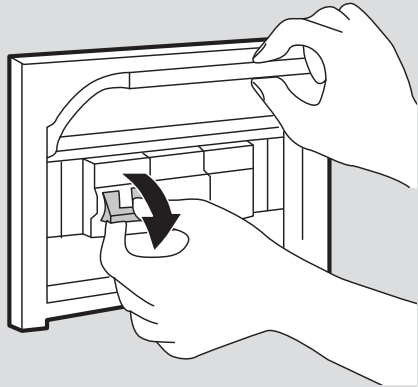
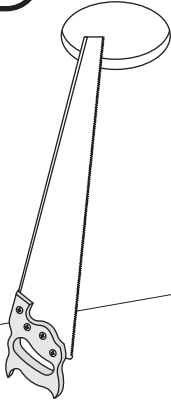


	LED1 from Dthr (m)		
	2700K	3000K	4000K
SP	1,6	1,6	2,15
FL	LED1	LED1	1,75
WF	LED1	LED1	1,75

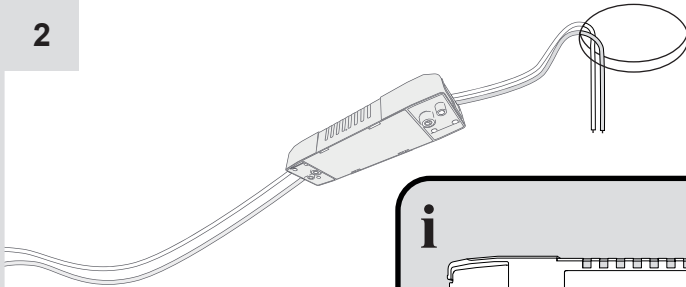


1

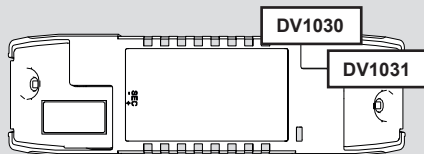
ø 50 mm



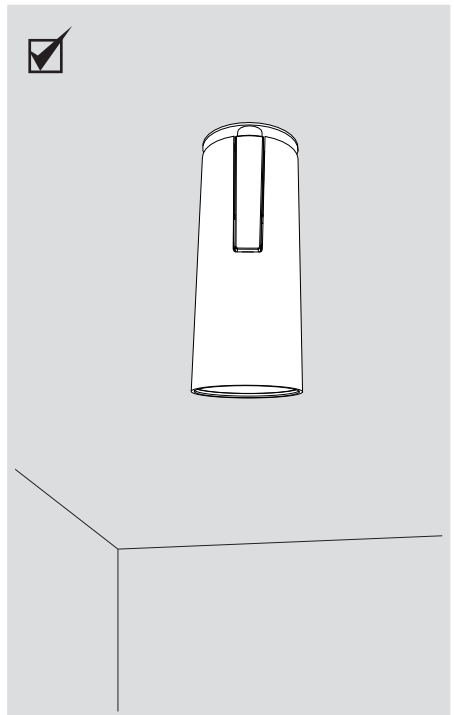
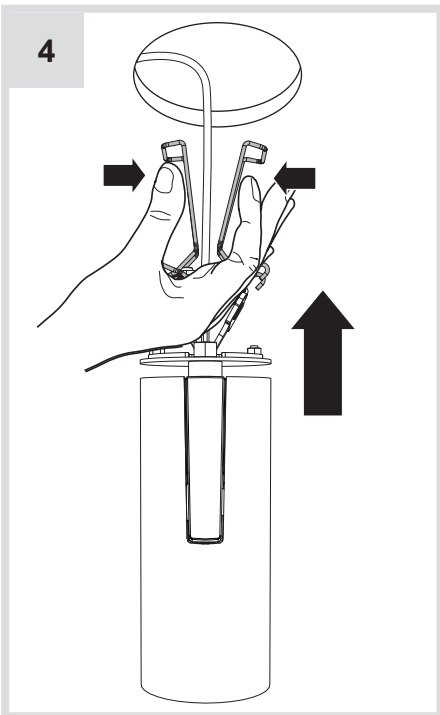
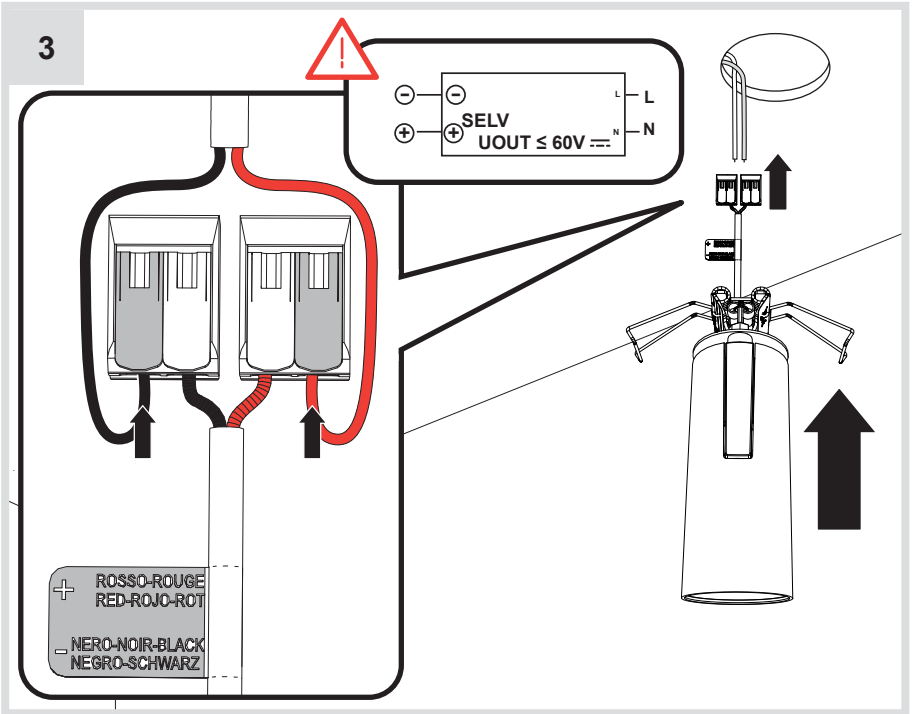
2



i



	Vout	mA	W
VECTOR 40	60V \approx	700mA	8W
VECTOR 55	60V \approx	600mA	21W

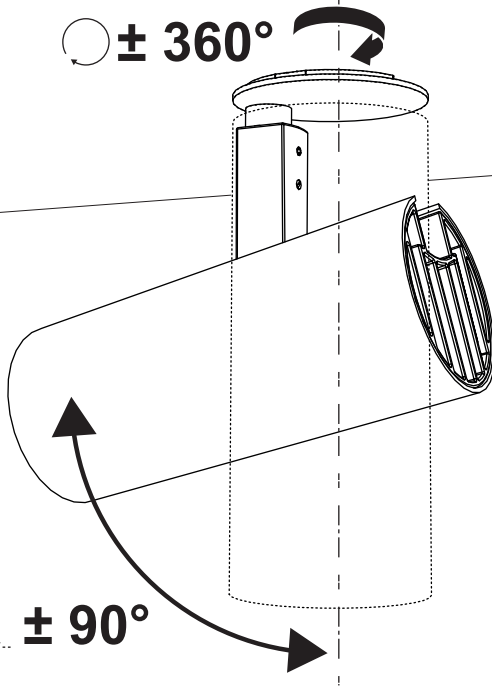




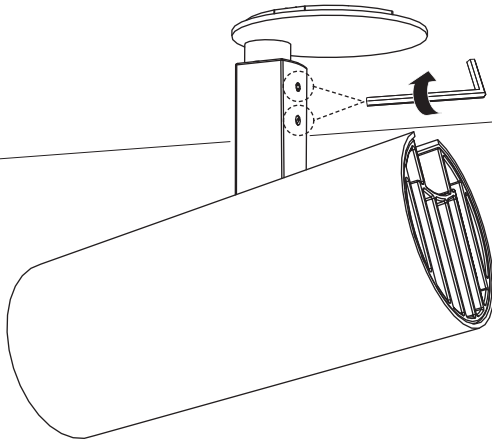
5

$\pm 360^\circ$

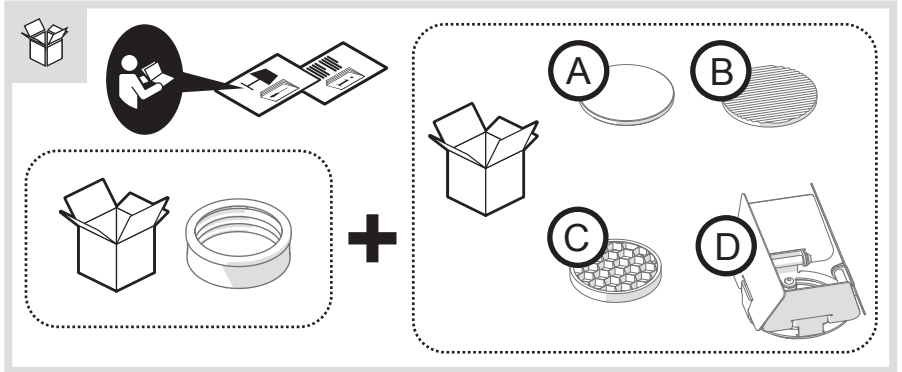
$\pm 90^\circ$



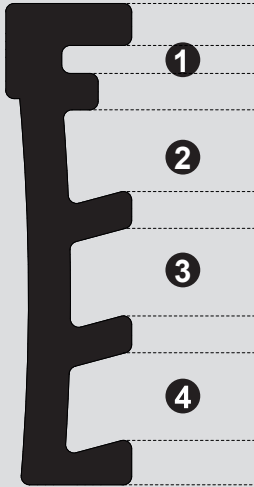
6



VECTOR 40/55 ACCESSORIES

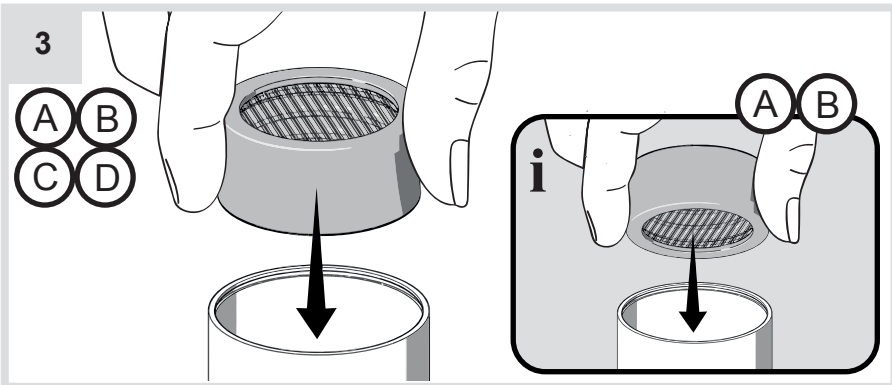
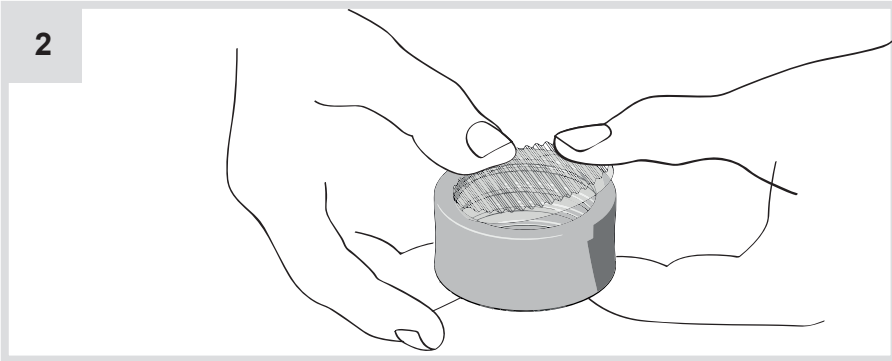
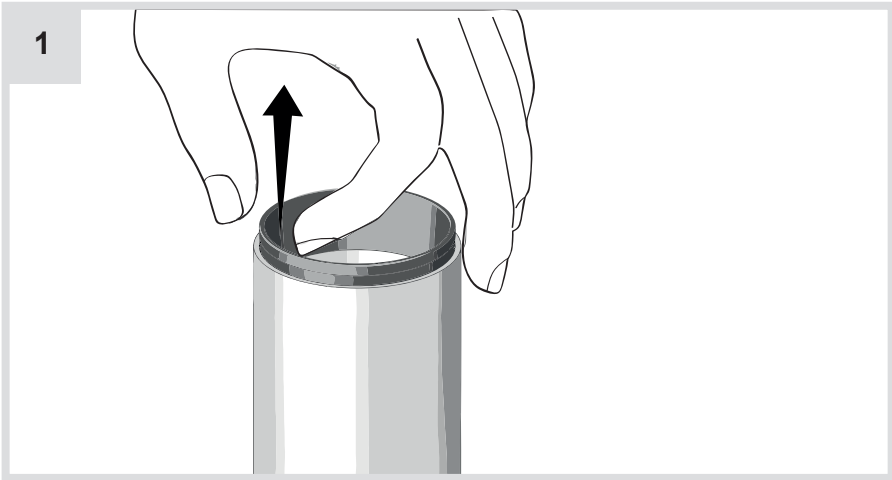


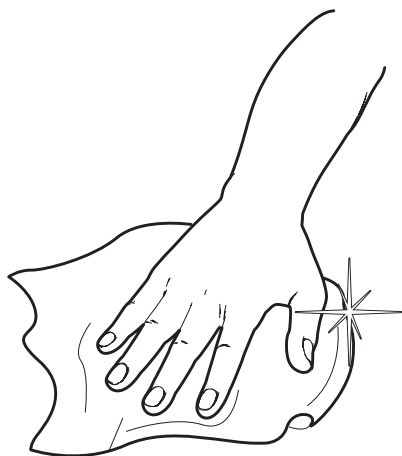
i



	A	B	C	VECTOR 55 D
1				X
2	X	X	X	
3	X	X		
4	X	X		

VECTOR 40/55 ACCESSORIES







Artemide Spa

via Bergamo, 18
20010 Pregnana M.se (MI)
ITALIA

Tel. +39 02 935 181
Fax +39 02 935 90 254
Fax +39 02 935 90 496

www.artemide.com

VAT IT00846890150