
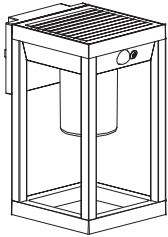



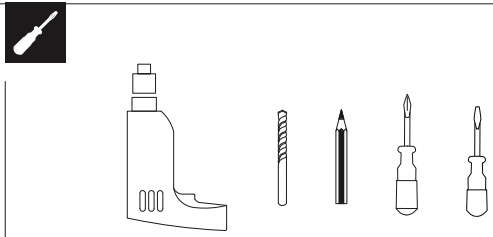
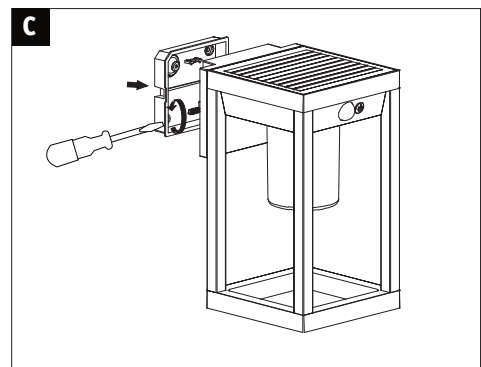
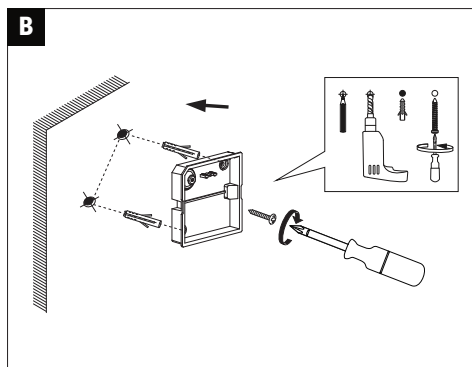
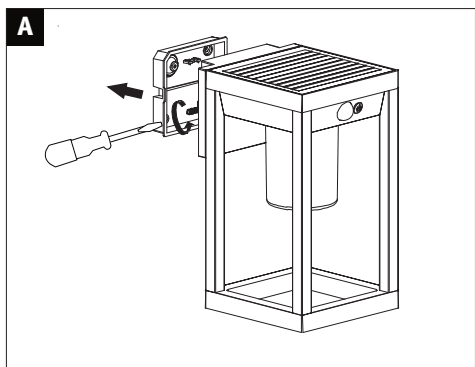
Art.-Nr.: 945.72 

PSH 04/21

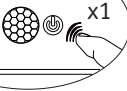








CE UK CA







Incl. 

D

 x1	 $\geq 10\text{lux}$ LED  $< 10\text{lux}$ LED = 3% LED
 x2	 $\geq 10\text{lux}$ LED  $< 10\text{lux}$ LED +  = 100% LED 45secx60
 x3	 OFF LED

E

 $\geq 10\text{lux}$ LED	 $< 10\text{lux}$ LED = 3% LED	 $< 10\text{lux}$ LED +  = 100% LED 45secx60
---	---	--

H=1.5~2M Max.8m

i

rechargeable Li-ion battery
18650 3.7V 2000mAh