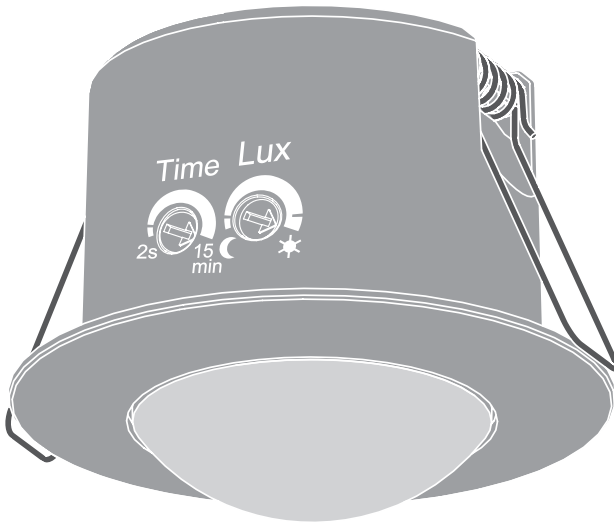
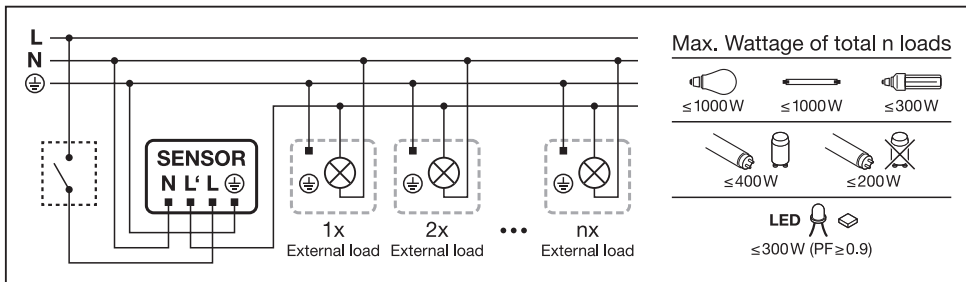
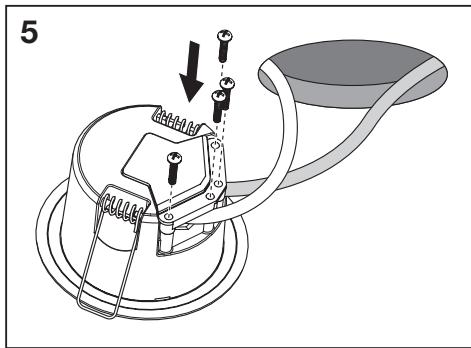
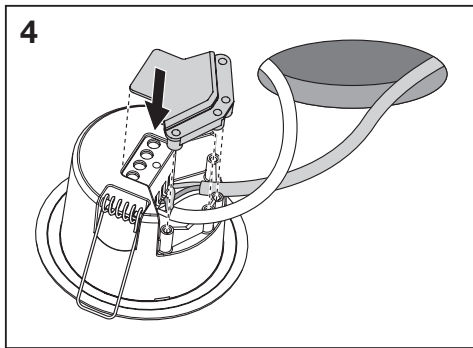
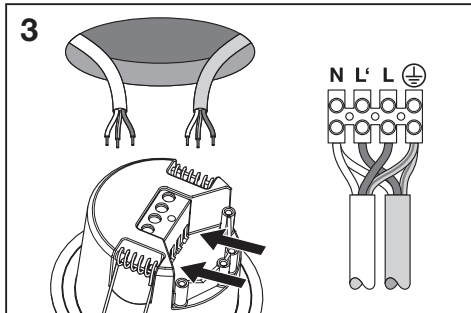
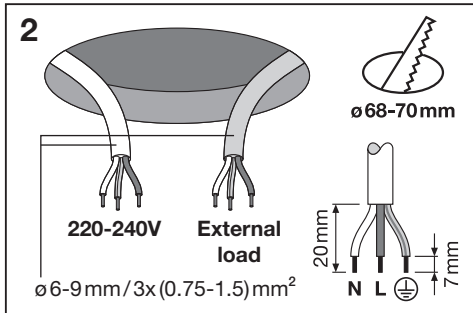
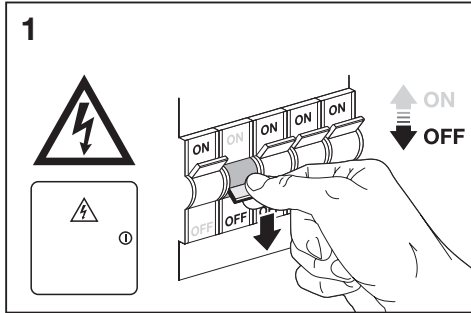
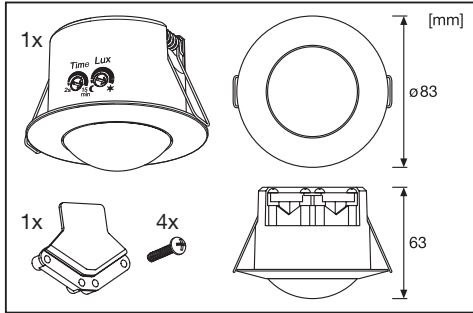

SENSOR CEILING FLUSH

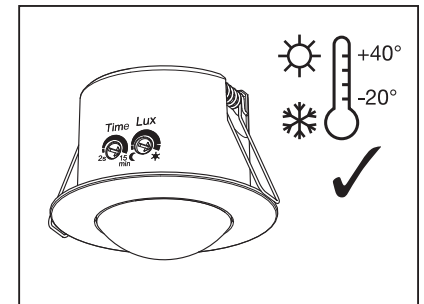
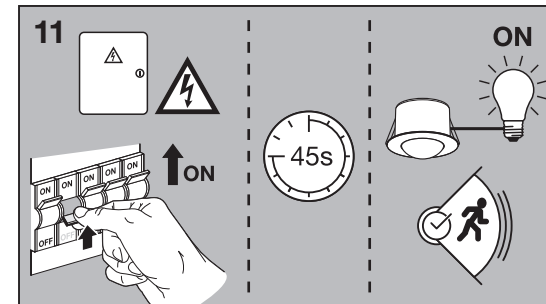
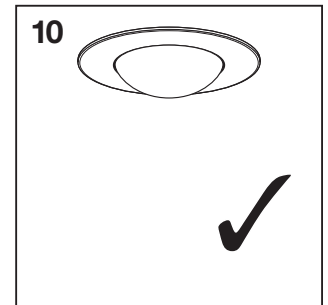
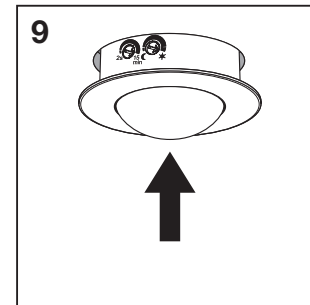
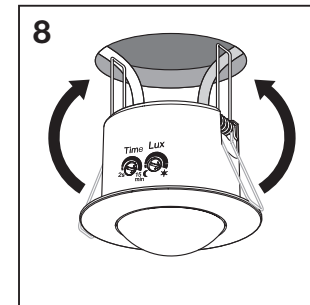
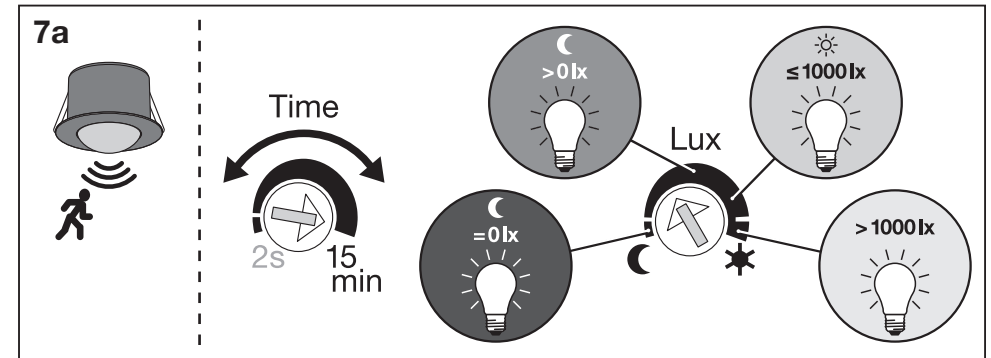
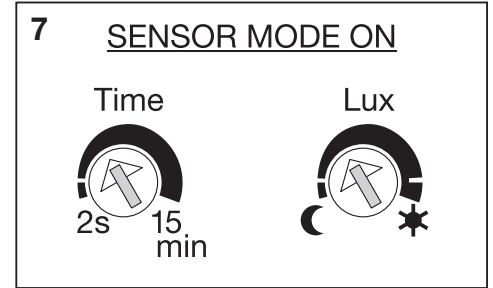
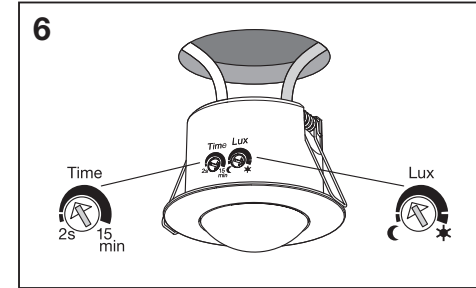


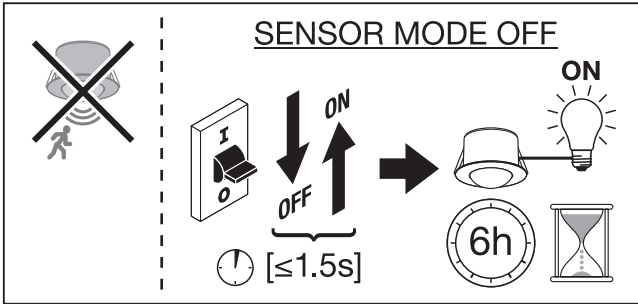
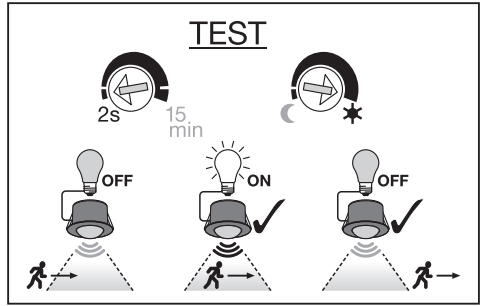
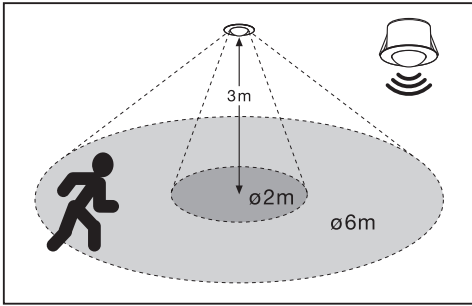
	EAN	ø x h [mm]	IP	IK	°C	V _{AC}	Hz	👤
SENSOR CEILING FLUSH 360DEG IP20 WT	4058075240315	83 x 63	20	05	-20...+40	220-240 V	50/60 Hz	0.080 kg

SENSOR CEILING FLUSH



SENSOR CEILING FLUSH





IP20 RoHS



C10449057

G11063276

05.02.19



LEDVANCE GmbH
 Steinerne Furt 62
 86167 Augsburg, Germany
www.ledvance.com