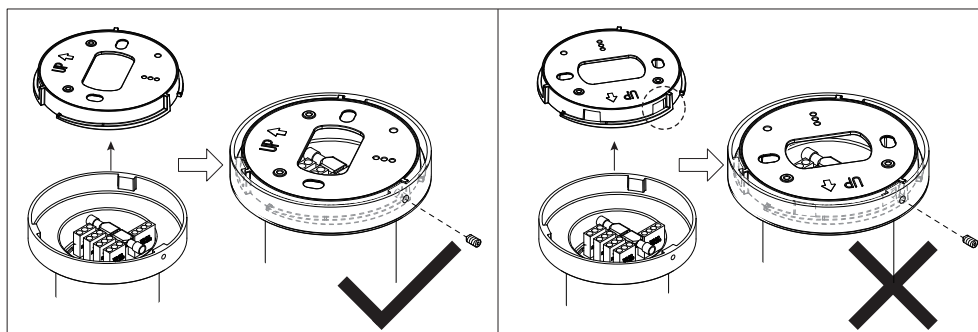
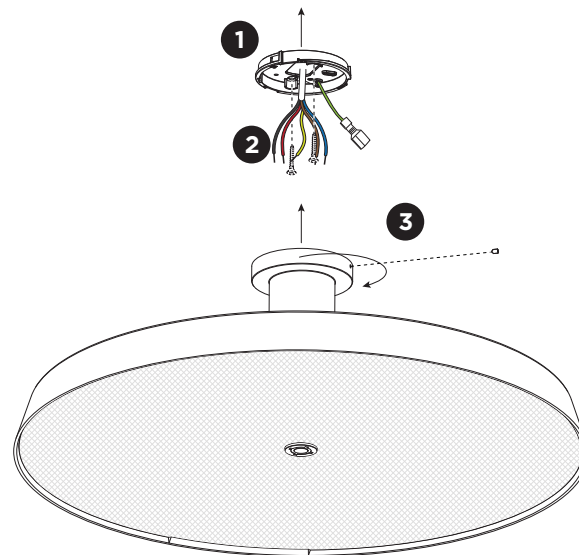
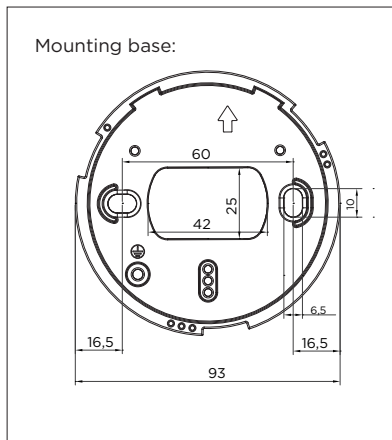
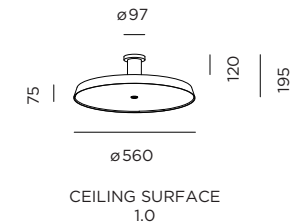


# ROOMOR OFFICE 1.0 CEILING SURFACE

INSTALLATION INSTRUCTIONS | NOVEMBER 2022



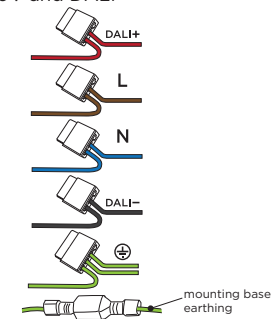
## DIMENSIONS



## MOUNTING INSTRUCTION

**1** Remove the luminaire by loosening the side screw and turning it from the mounting base. Mount the base on the ceiling with screws (screws are not included).

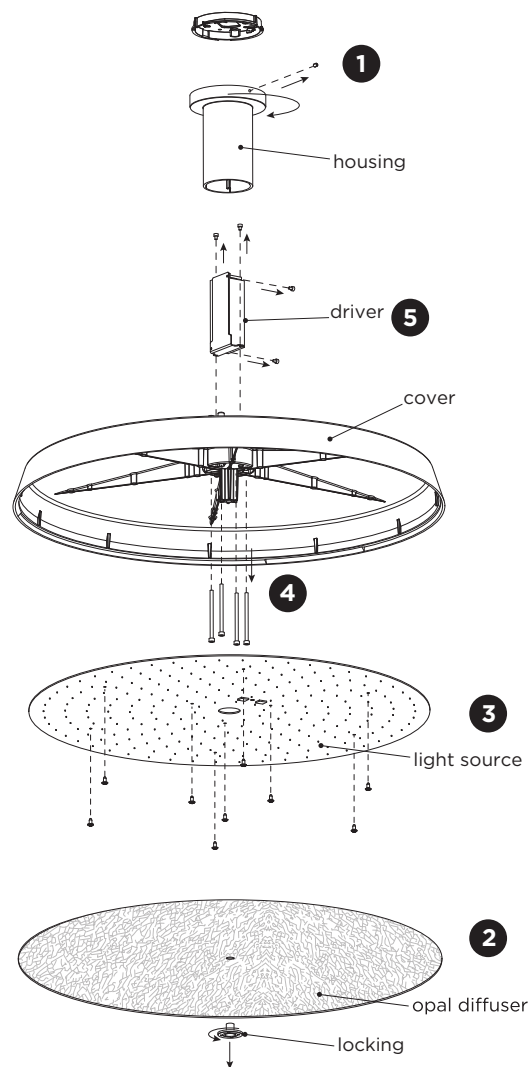
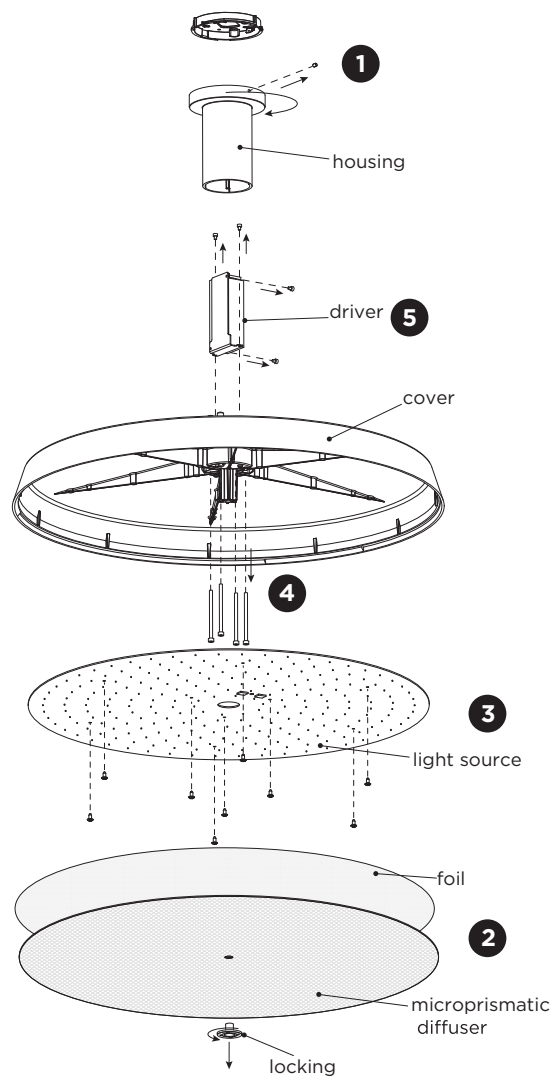
**2** **POWER CONNECTION**  
connect to 220-240V and DALI



**3** Fix the luminaire to the mounting base by pointing the slots into the groove of the mounting base, turning it and then fix it with the side screw.

# ROOMOR OFFICE 1.0 CEILING SURFACE

INSTALLATION INSTRUCTIONS | NOVEMBER 2022



## DISMOUNTING AND RECYCLING INSTRUCTIONS

### Light source & driver

- 1** Unscrew the side screw, turn the fixture and remove the luminaire from the mounting base and loosen the wires.
- 2** Unscrew the locking and then remove the diffuser (+foil).
- 3** Unscrew the 9 screws and disconnect the wires, then remove the light source.
- 4** Unscrew the 4 long screws and remove the housing from the cover.
- 5** Unscrew the screws and take out the driver.



The driver can be replaced by the end user.



The light source is replaceable by an authorized professional. For advice contact your Wever & Ducré customer service contact point.



This luminaire contains a light source with the energy class E.