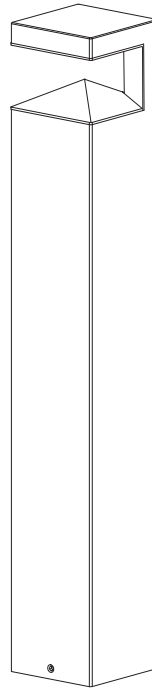
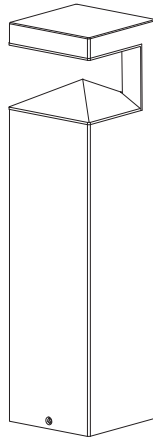
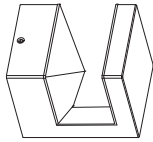
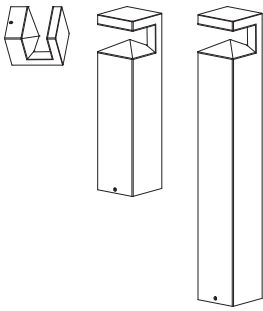

ENDURA® STYLE



	EAN	W	lm	K	Temp. (°C)	V~	mA	Hz	PF
ENDURA STYLE PYRAMID WALL 9W ST	4058075477896	9	600	3000	-20...+40	220-240	39	50/60	>0.5
ENDURA STYLE PYRAMID 50CM 9W ST	4058075477919	9	600	3000	-20...+40	220-240	39	50/60	>0.5
ENDURA STYLE PYRAMID 80CM 9W ST	4058075477933	9	600	3000	-20...+40	220-240	39	50/60	>0.5



1x



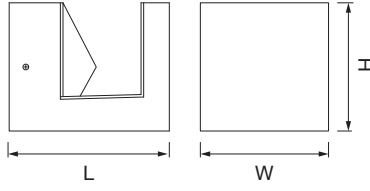
650 g
4058075477896

1800 g
4058075477919

2900 g
4058075477933


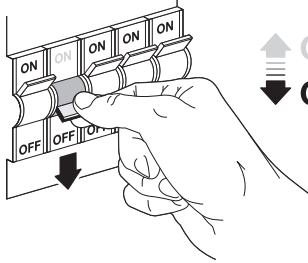
3x  3x 

mm



	L	W	H
PYRAMID WALL 9W ST	125	100	100
PYRAMID 50CM 9W ST	500	100	100
PYRAMID 80CM 9W ST	800	100	100

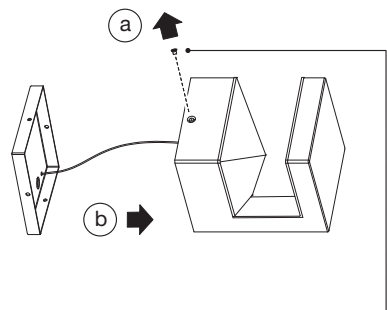

1

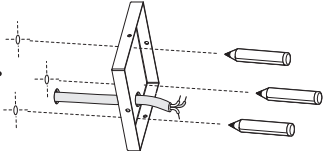

ON
OFF

↑ ON
↓ OFF

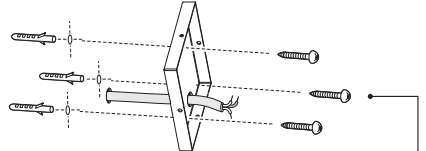
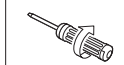
2

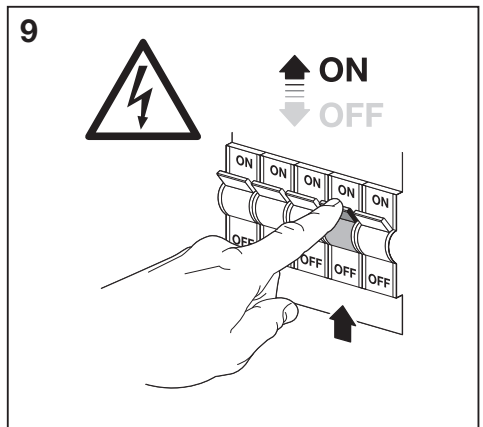
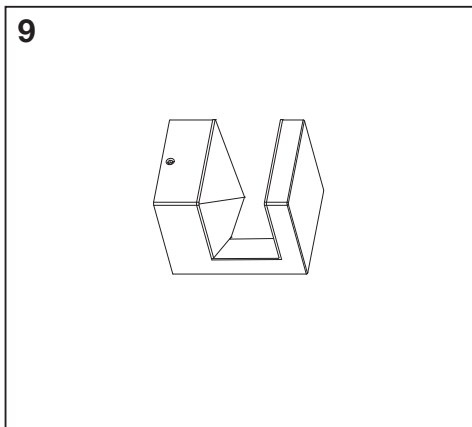
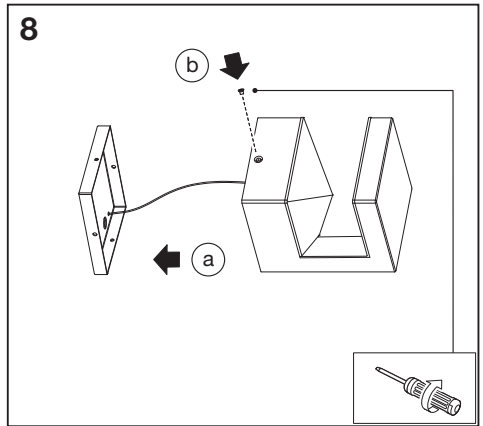
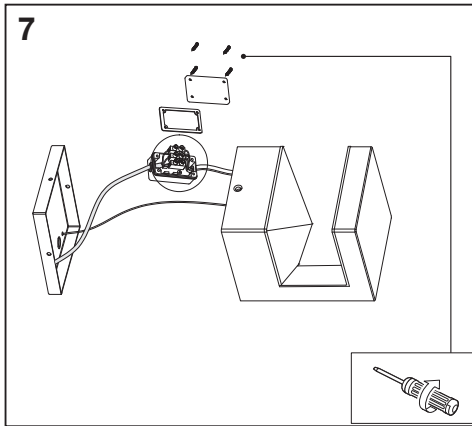
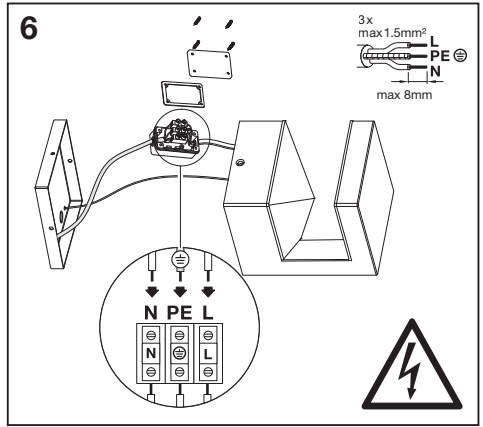
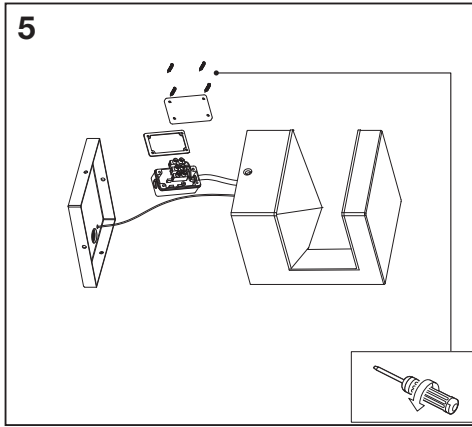



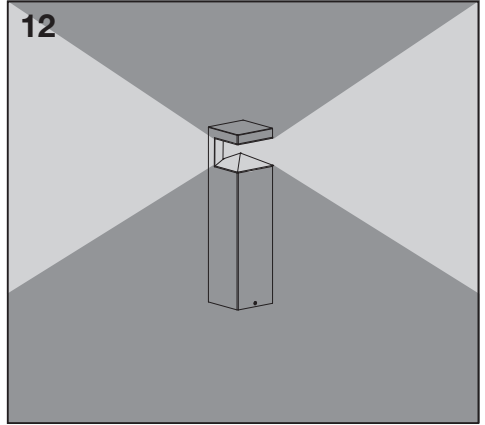
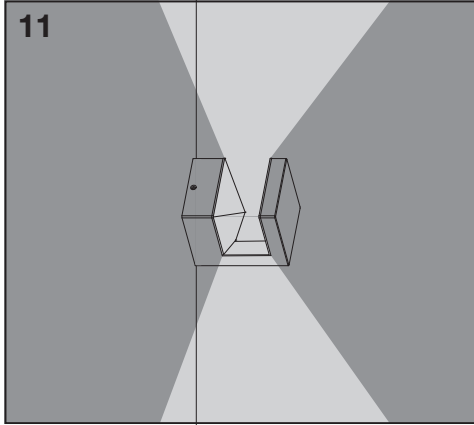
3

4





IP44 RoHS

C10449057
G11100694
13.07.2020



LEDVANCE GmbH
Steinerne Furt 62
86167 Augsburg, Germany
www.ledvance.com