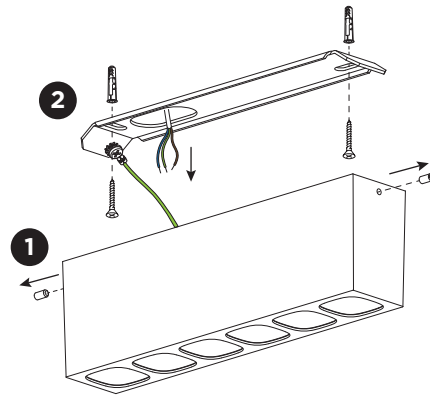




# PIRRO PETIT SURFACE

INSTALLATION INSTRUCTIONS | NOVEMBER 2023



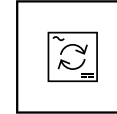
## DISMOUNTING AND RECYCLING INSTRUCTIONS

### Light source & driver

- 1 Unscrew the socket screws on the side and pull down the luminaire.
- 2 Unscrew the back plate to remove it.
- 3 Remove the driver(s) by loosening wires.
- 4 Remove the light source(s) from the housing by loosening the screws.



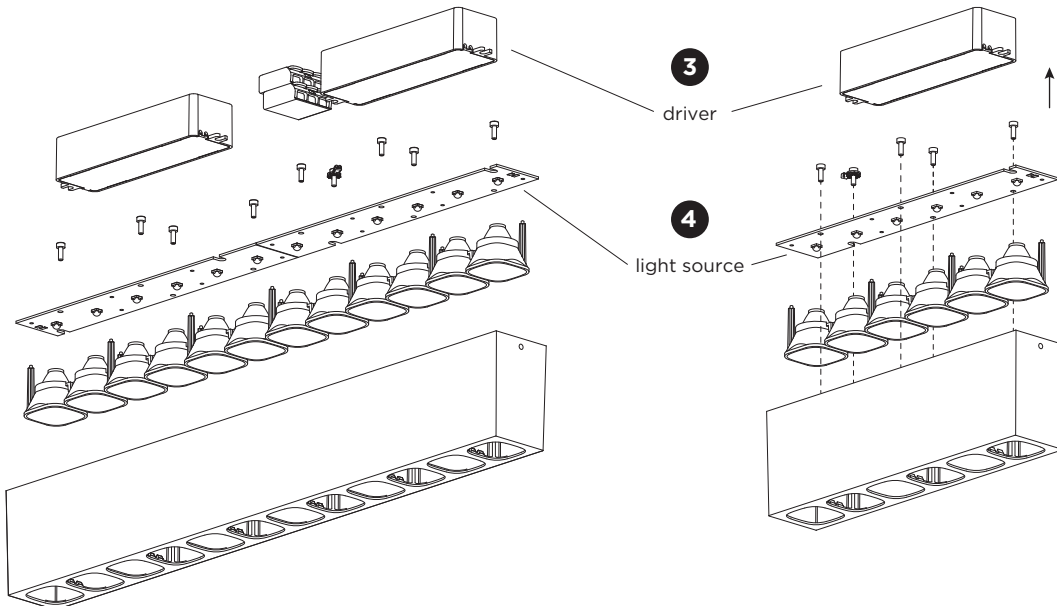
The light source is replaceable by Wever & Ducré or by a professional with explicit authorisation. For more information please contact your local Wever & Ducré customer service point.



The driver can be replaced by the end user.



This luminaire contains a light source with the energy class F.



**WEVER & DUCRÉ**  
LIGHTING

**WEVER & DUCRÉ BV**

Spinnerijstraat 99/21, 8500 Kortrijk, Belgium  
weverducre.com