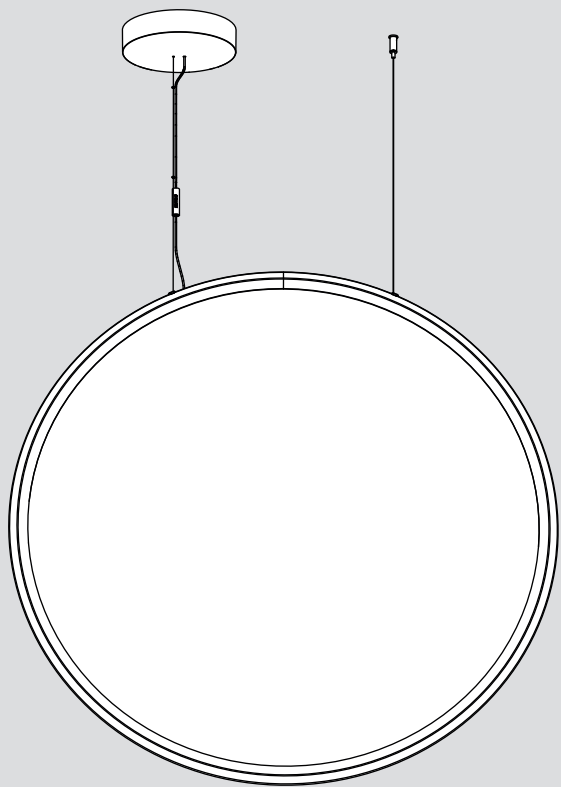
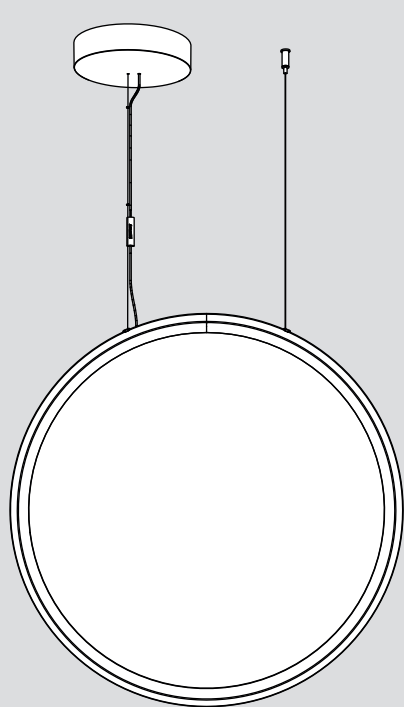


# Artemide®

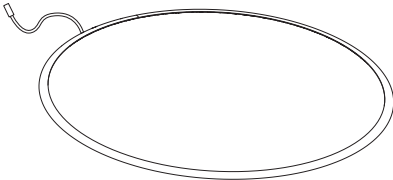
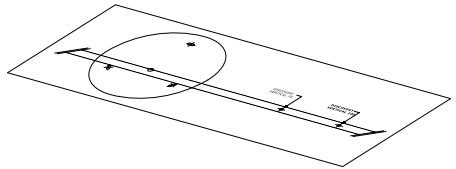
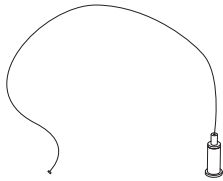
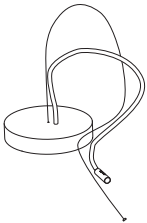
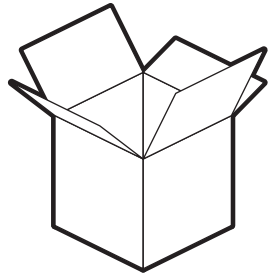
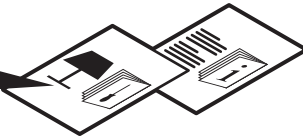
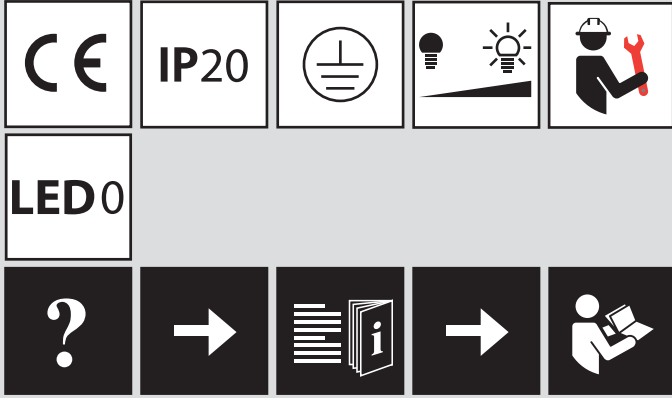
## Discovery Vertical 70-100

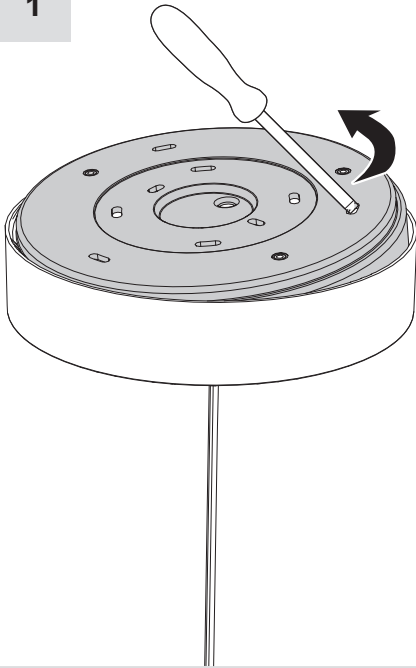
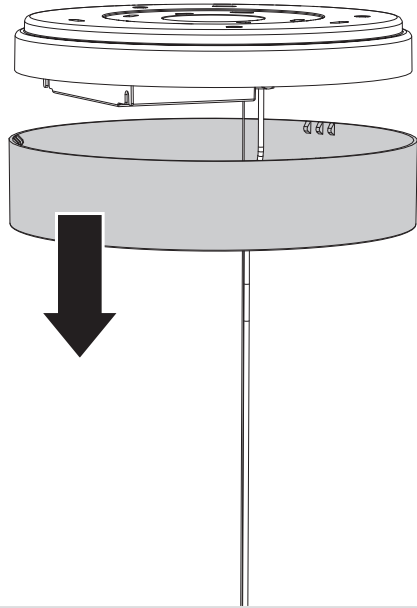
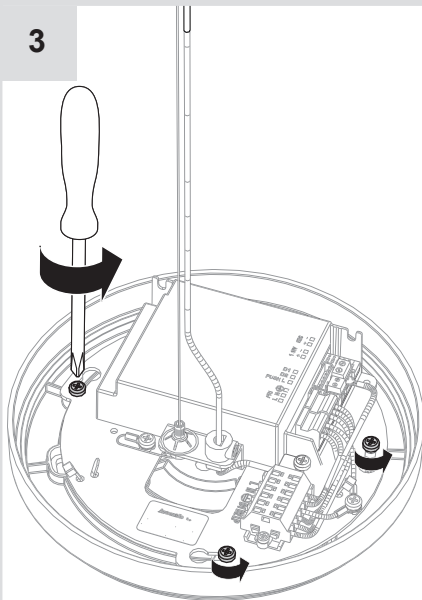
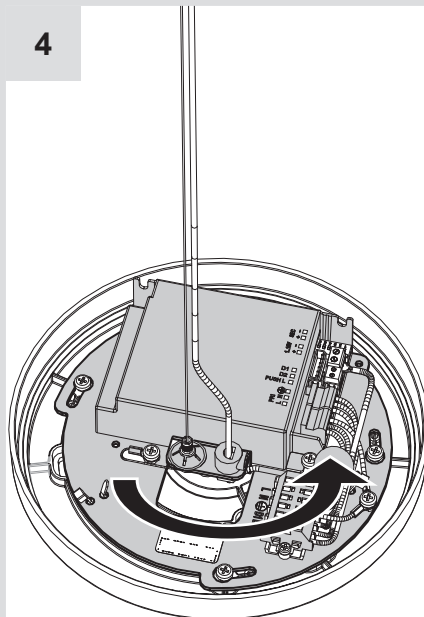
design  
E. Gismondi



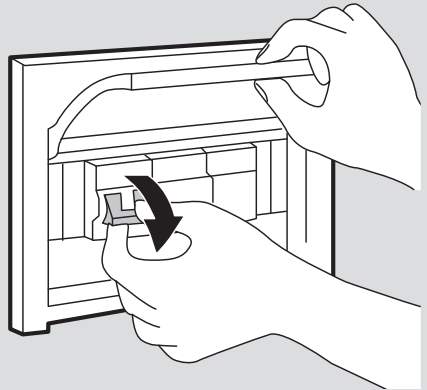
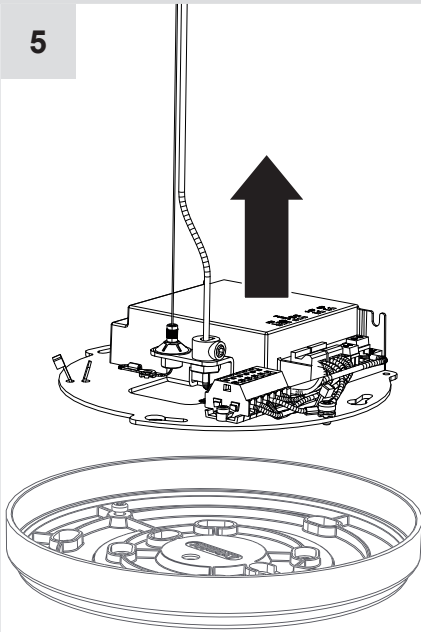


i

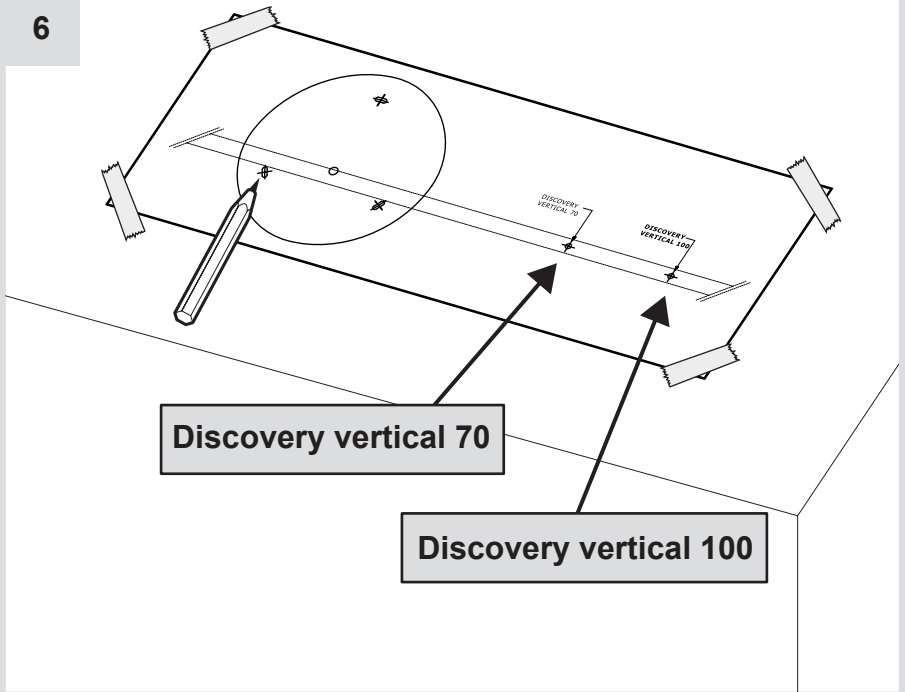


**1****2****3****4**

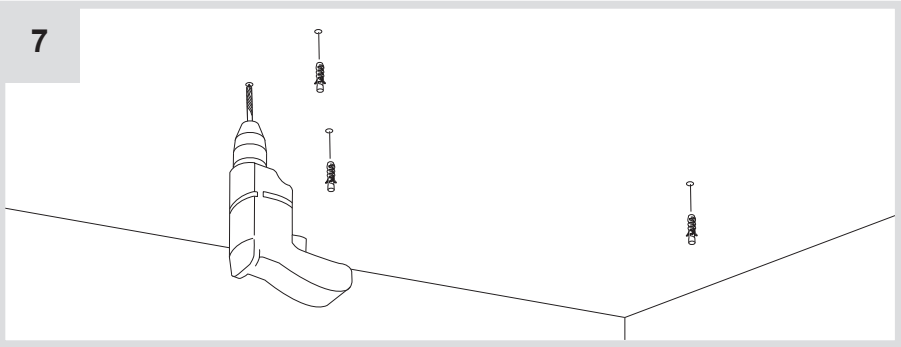
5



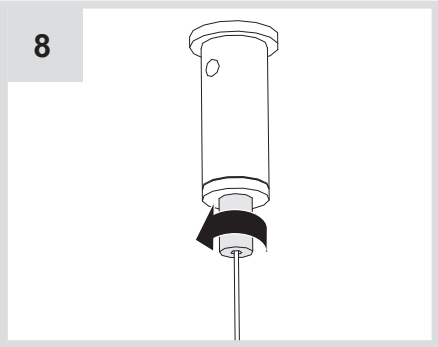
6



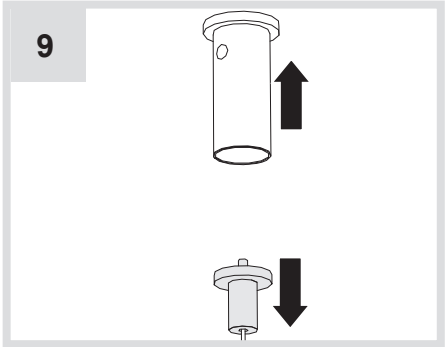
7



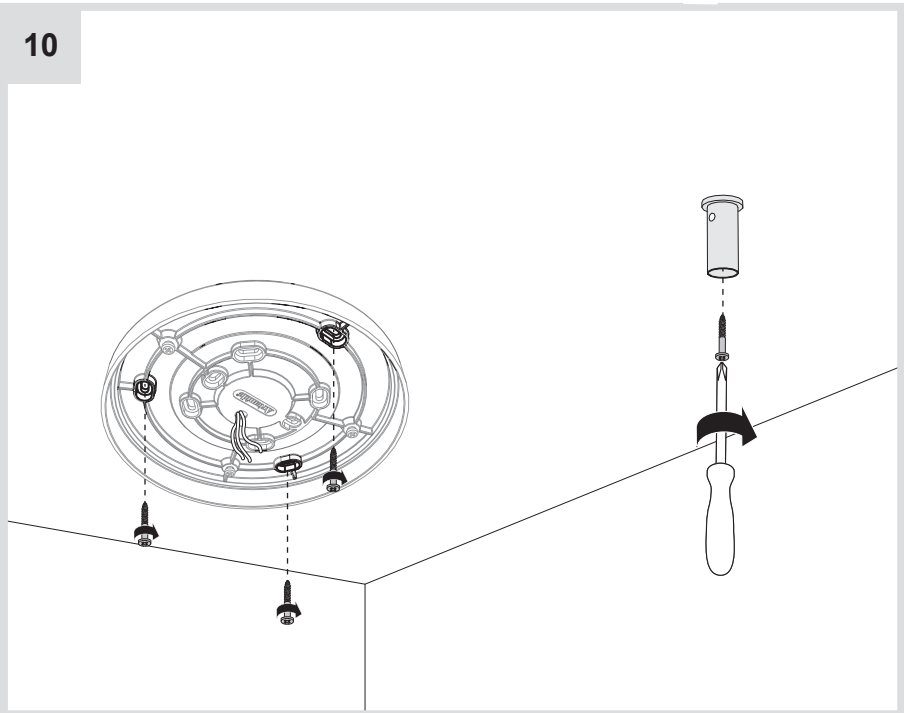
8

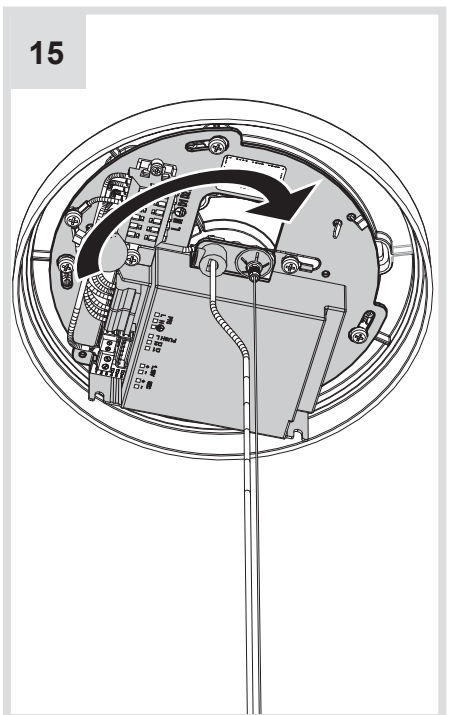
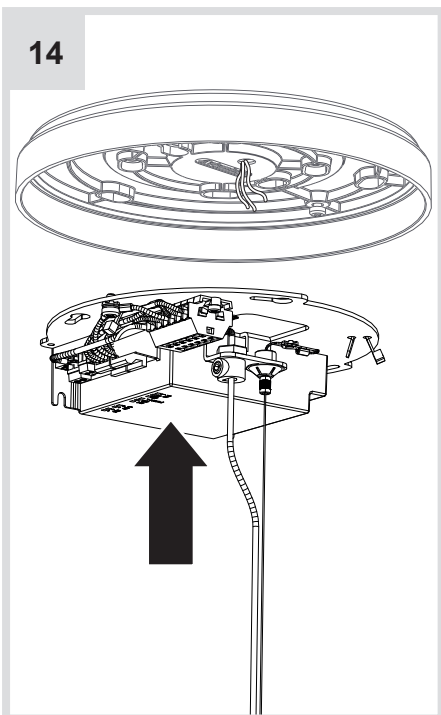
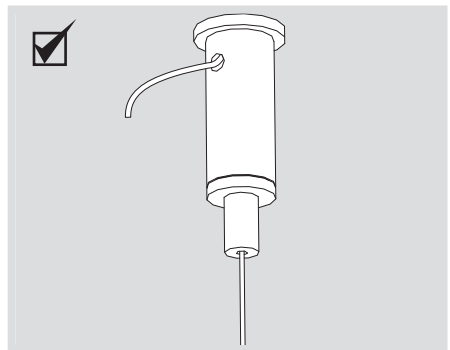
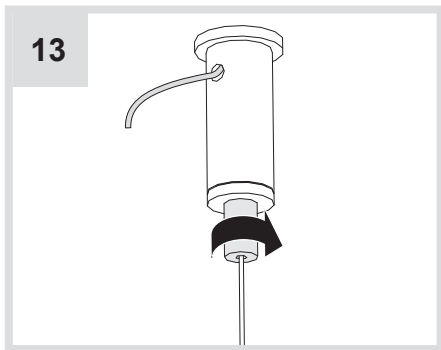
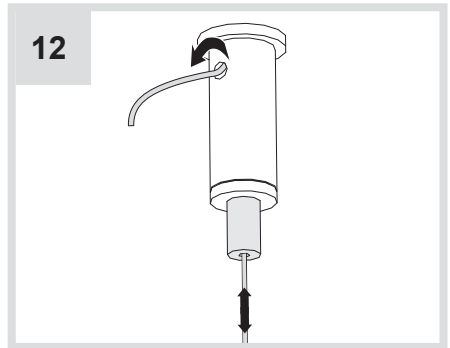
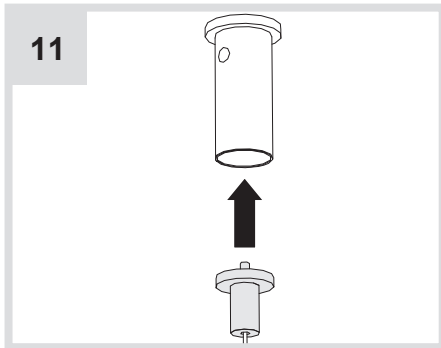


9

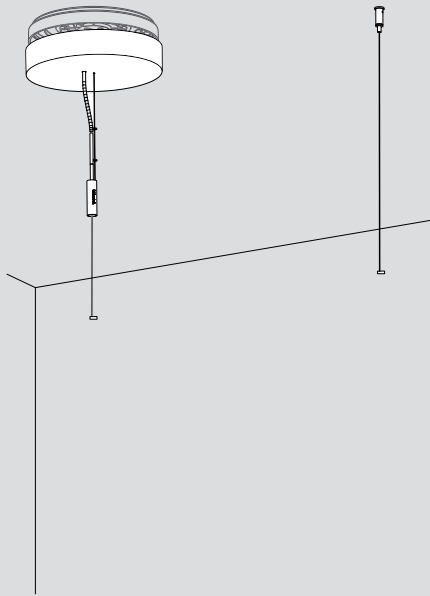
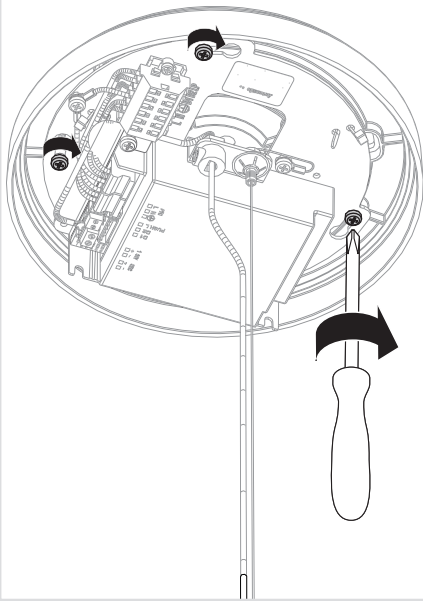


10

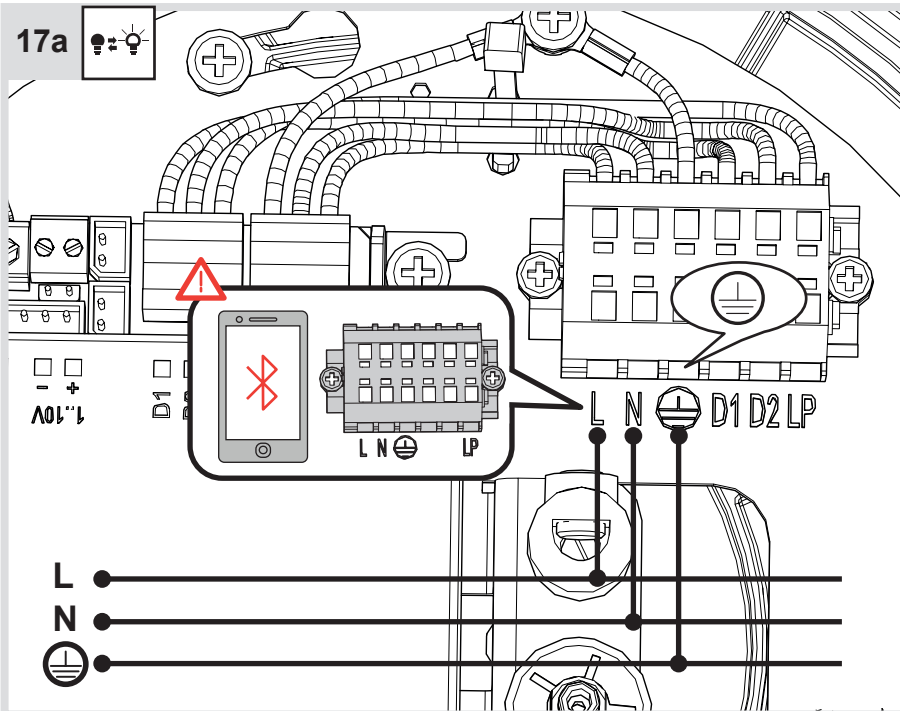




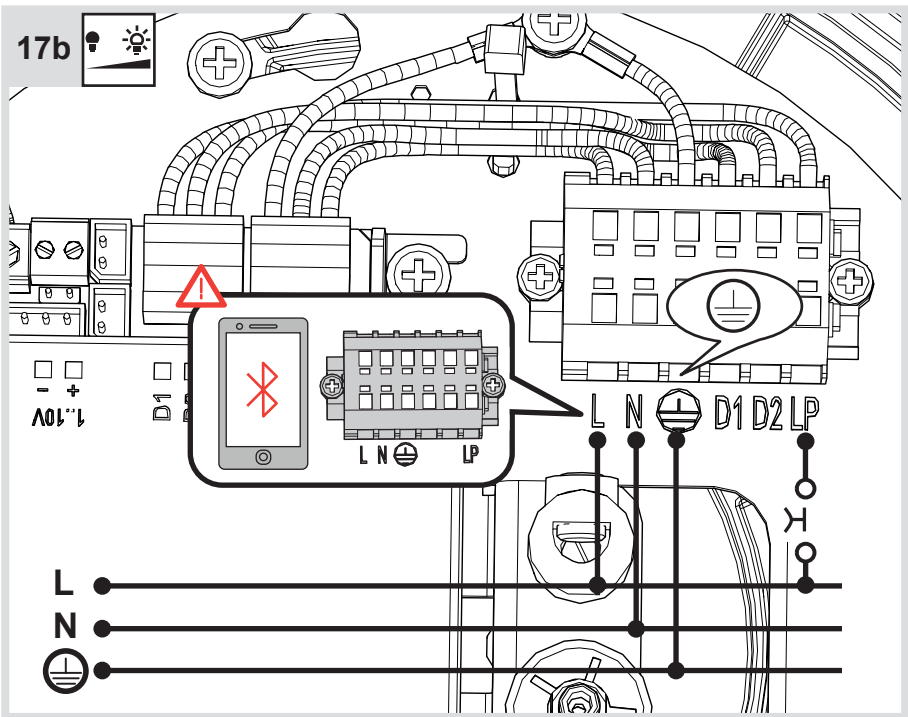
16



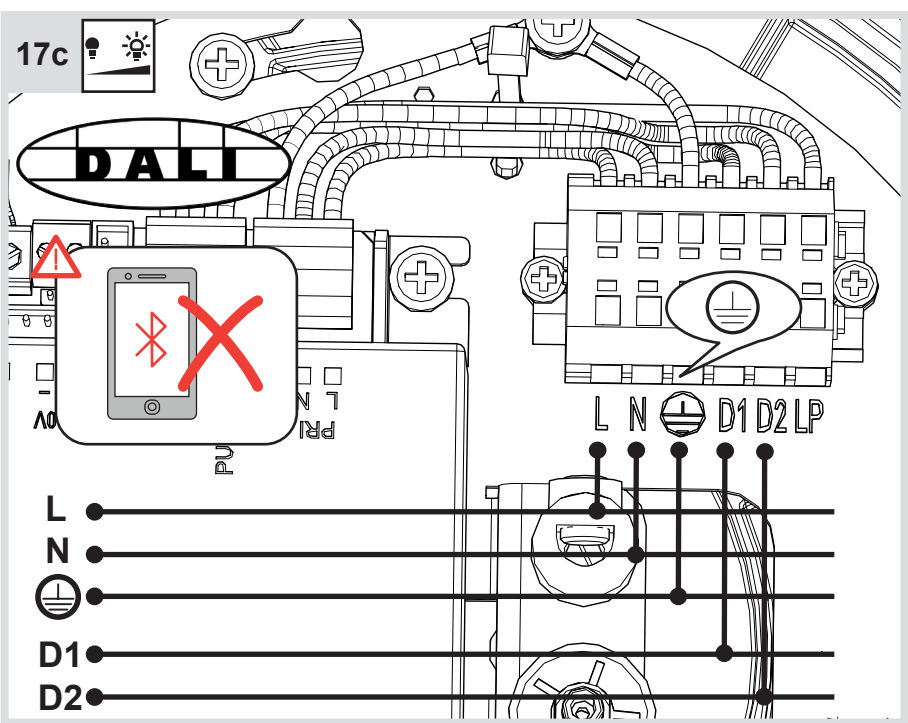
17a



17b

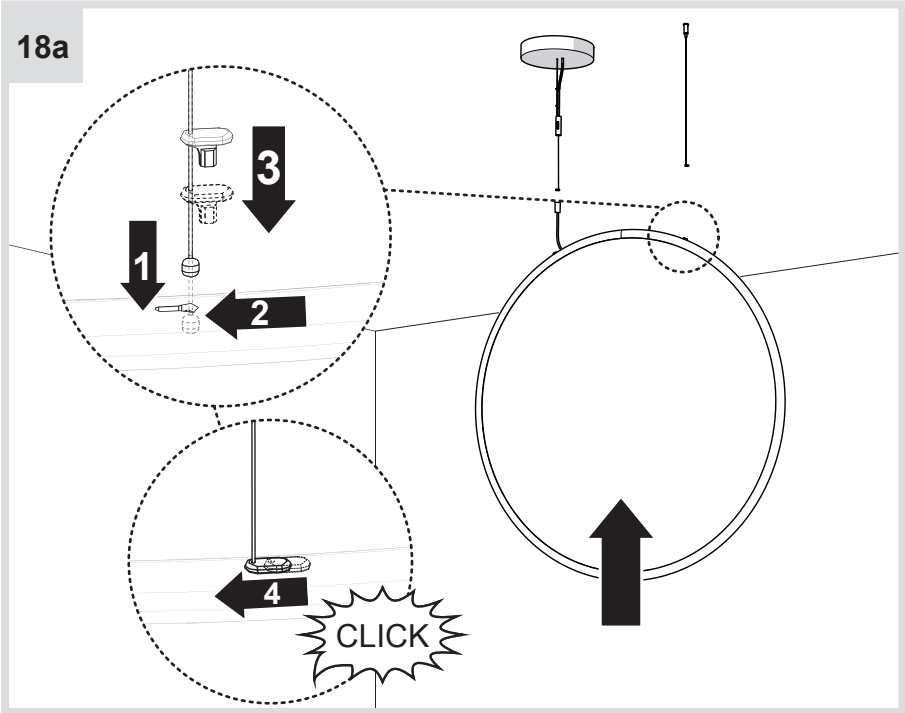


17c

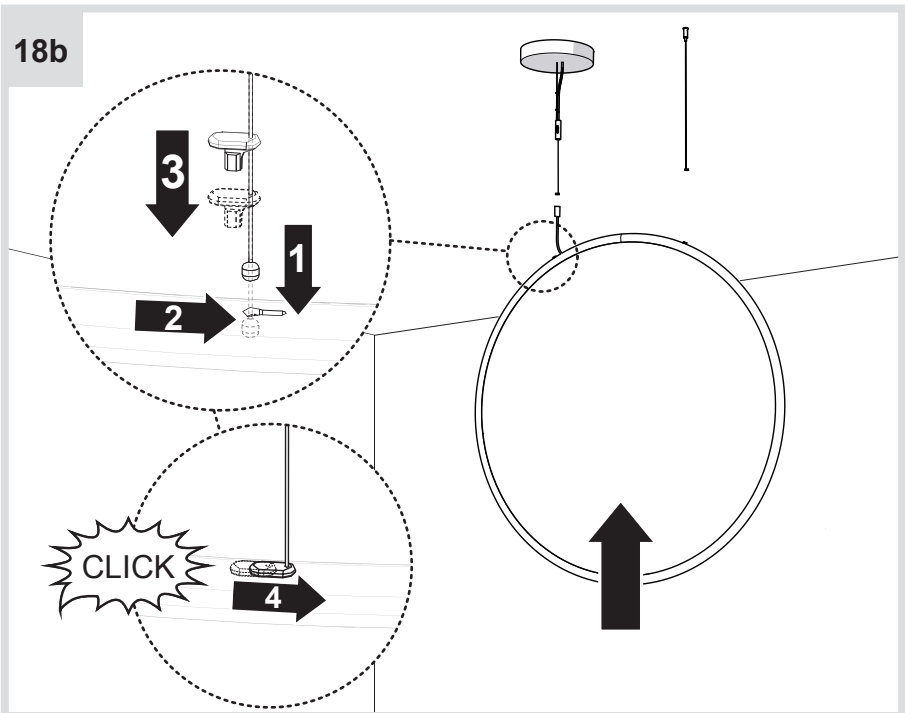


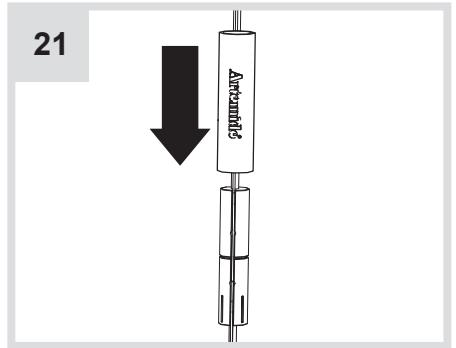
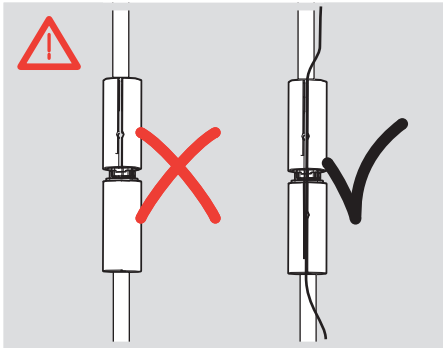
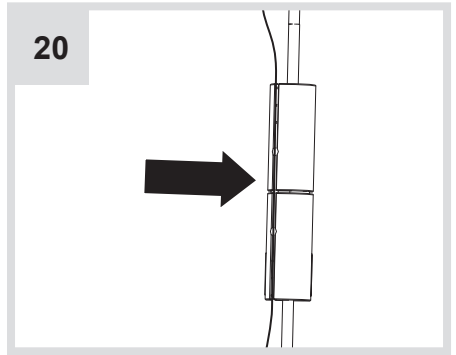
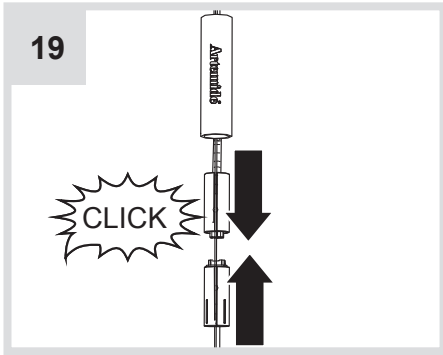


18a



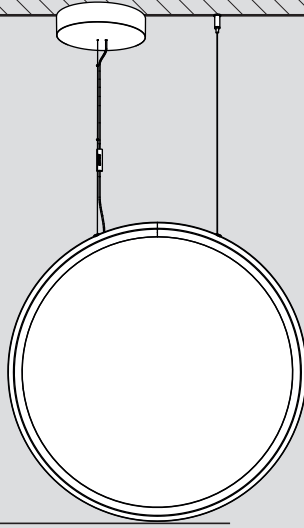
18b





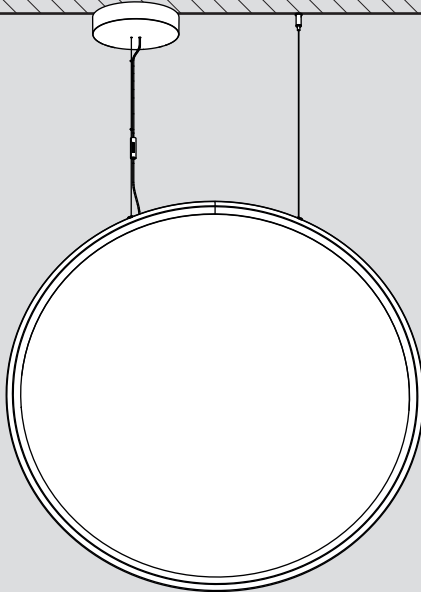
**i**

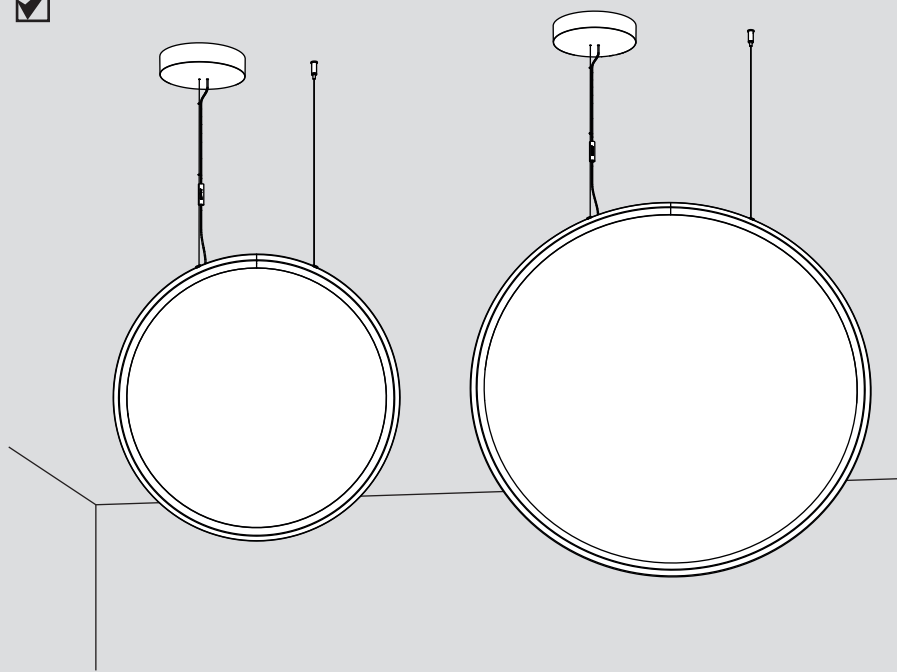
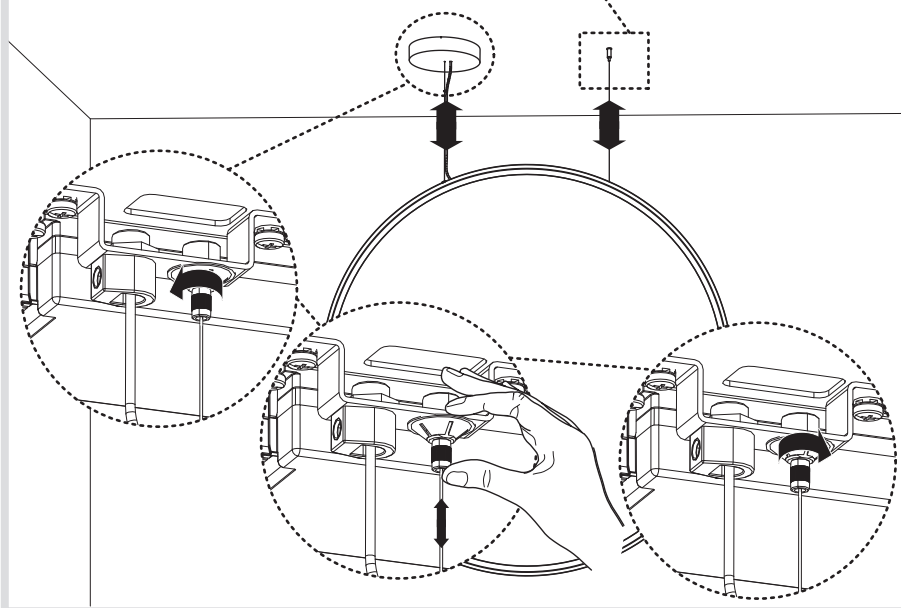
Min 1100 - Max 2100 mm



**i**

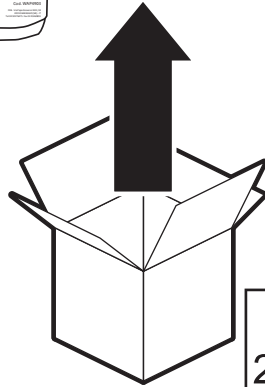
Min 1400 - Max 2400 mm



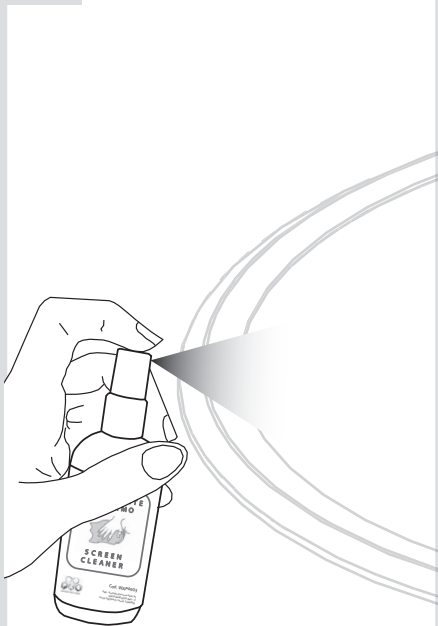




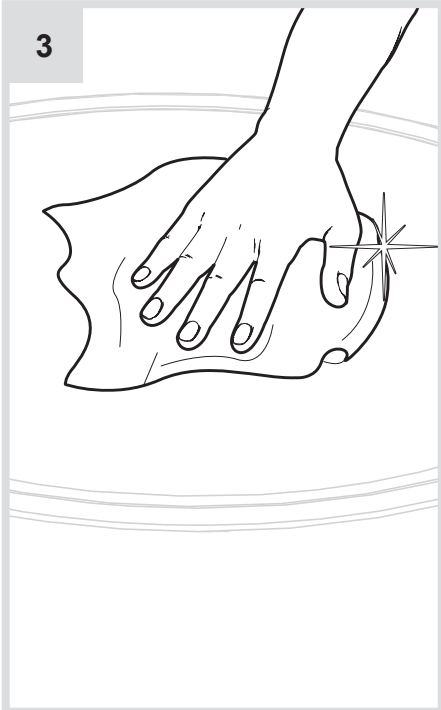
1



2



3







**Artemide®**



## **Artemide**

via Bergamo, 18  
20010 Pregnana M.se (MI)  
ITALIA

tel. +39 02 935 181  
fax +39 02 935 90 254  
fax +39 02 935 90 496

[www.artemide.com](http://www.artemide.com)

VAT IT00846890150

cod. Y513001027