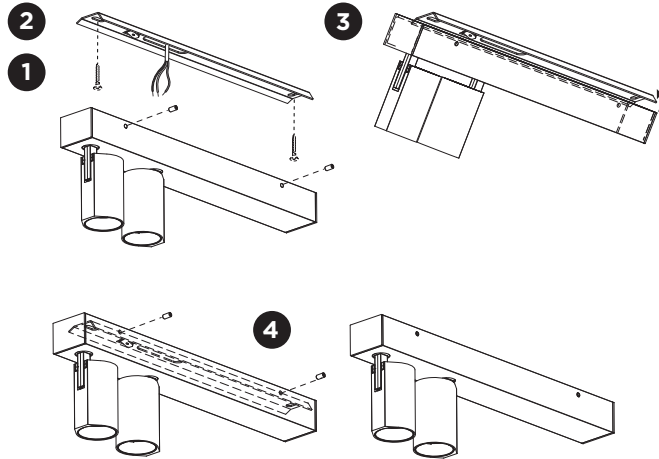


# CENO SURFACE

INSTALLATION INSTRUCTIONS | JANUARY 2024

Installation for 1.0 / 2.0 / 4.0 / 4.1 / 6.0



Only to be installed outside arms reach.

90° tilt angle  
350° rotation angle

**For the driver(s) of 2.0, 4.0 and 6.0:**

**Do not change the standard settings of the driver!**

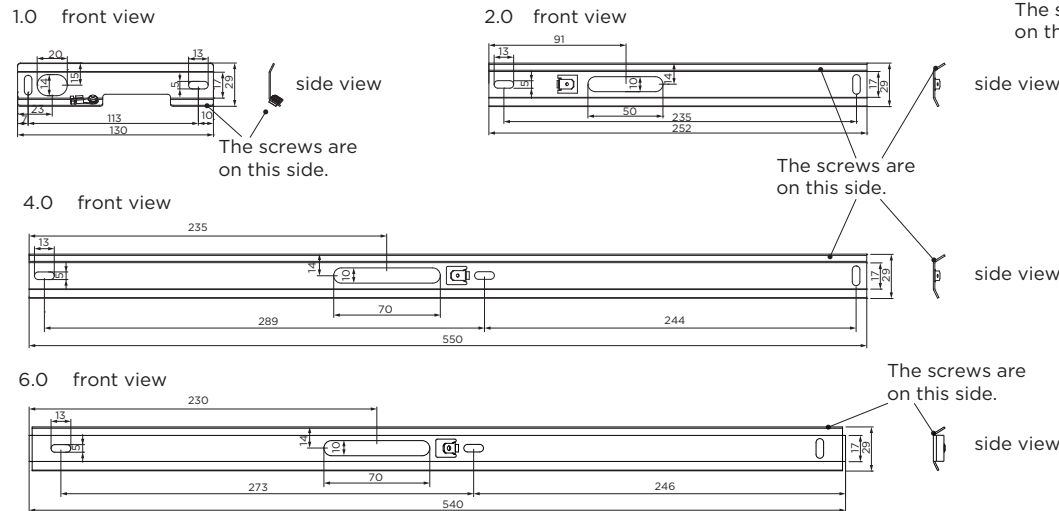
The standard setting of the driver.

Mounting base:

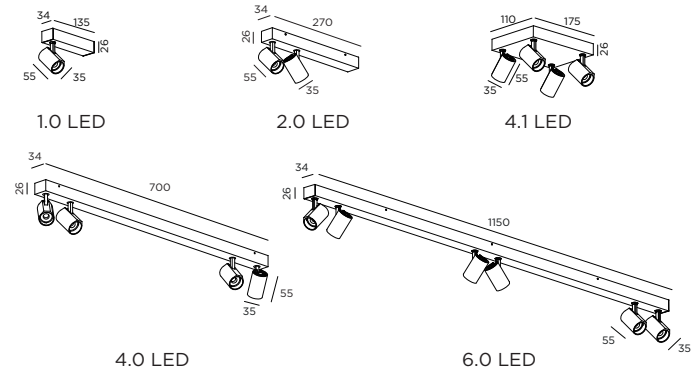
4.1 front view

side view

The screws are on this side.



## DIMENSIONS



## MOUNTING INSTRUCTION

- 1** Remove the mounting base from the luminaire by loosening the socket screws and mount it on the ceiling with screws (screws are not included).
- 2 POWER CONNECTION**  
Connect to 220-240V.  

1.0	2.0	4.0	4.1	6.0

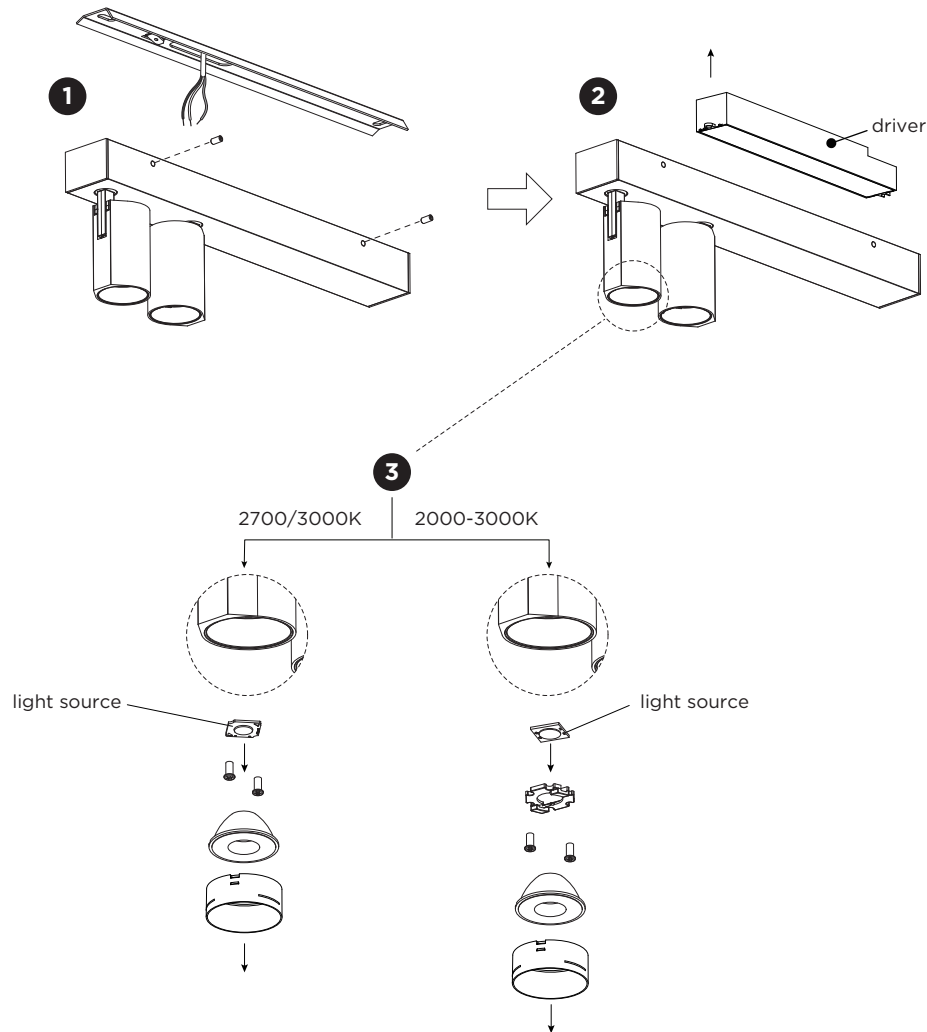
Connect the ceiling base earth cable.

1.0	2.0	4.0 / 4.1 / 6.0
- 3** Attach the luminaire to the mounting base with the screw opposite side first and tilt towards the ceiling as shown.
- 4** Fix the luminaire on the base with the socket screws.

# CENO SURFACE

INSTALLATION INSTRUCTIONS | JANUARY 2024

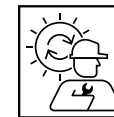
Dismounting for 1.0 / 2.0 / 4.0 / 4.1 / 6.0



## DISMOUNTING AND RECYCLING INSTRUCTIONS

Light source & driver

- 1 Loosen the socket screws from the fixture to remove it from the mounting base.
- 2 Disconnect the wires to remove the driver(s).
- 3 Dismount the lens holder(s) and all parts behind to remove the light source(s).



The light source is replaceable by Wever & Ducré or by a professional with explicit authorisation. For more information please contact your local Wever & Ducré customer service point.



The driver can be replaced by the end user.

Every luminaire contains a light source with the corresponding energy class:

colour temperature	Energy class
2700K/3000K	A ↑ G E
2000-3000K	A ↑ G G



**WEVER & DUCRÉ**  
LIGHTING

**WEVER & DUCRÉ BV**

Spinnerijstraat 99/21, 8500 Kortrijk, Belgium  
weverducre.com