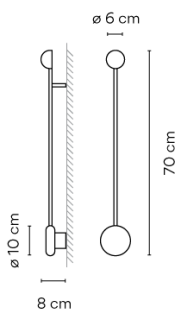


1692

Design By Ichiro Iwasaki

Wall lamp. Design by Ichiro Iwasaki. Wall light which provides passageways with ambient illumination via indirect light. Available in white, black, cream and green matt finishes.

Model Sheet



- Finish**
- 58 Cream
NCS S 2005-Y20R
 - 04 Black
NCS 9000N
 - 23 Warm White
test ral

LED temperature color 2700 K

Dimming On/Off

Installation type Surface Canopy

Materials Head: Aluminium
Base: Zinc Alloy
Diffuser: PC- Polycarbonate
Rods: Steel

Light source 1 x LED 4,48W 350mA



LED CRI>90 452.95 lm 100.66
2700 K

Driver Constant Current 350 100~240
V V 50~60 Hz HZ

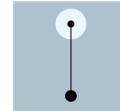


Application Wall Lamps

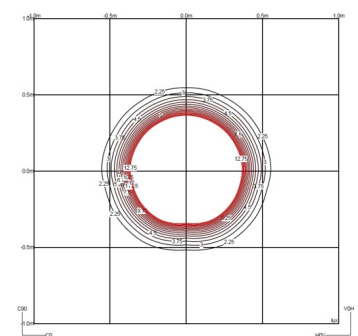
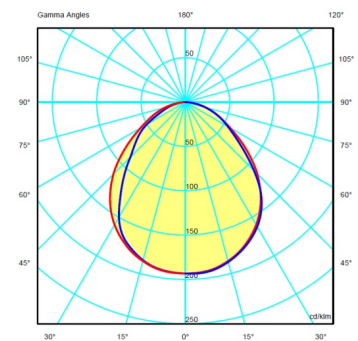
Packaging 1 Box
0.792 m x 0.445 m x 0.177 m
Gross weight 2.44
Net weight 1
Vol. 0.0623

Lighting effect

360° Surface Grazer
Full-circle grazing light.

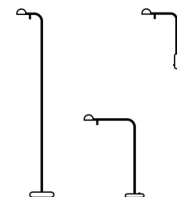


Photometric Data



Efficiency 46.31%
Coordinate System CG
Total Flux 449.94
Maximum Value 193.70

Other Applications



All of our products come with a five-year warranty. Check our legal terms at www.vibia.com/warranty

Vibia Lighting, S.L.U.

Office / Oficina
Progrés 4-6. 08850 Gavà. Barcelona, Spain.

International T +34 934 796 971
Spain / Portugal T +34 934 796 970

customer.service@vibia.com
vibia.com