



CURVE IS A STATE-OF-THE-ART OFFICE LIGHT THAT  
CATERS TO THE DEMANDING NEEDS OF A MODERN  
WORKSPACE. WE AIMED FOR A SOFT IMPRESSION  
WITH THE MATERIALS AND THE DESIGN.

---

# Curve



Curve

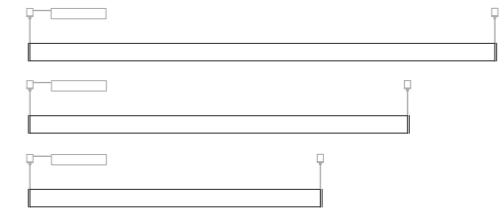
TUNTO

**CURVE PENDANT**

1640 mm 36 W

1340 mm 31 W

1040 mm 24 W

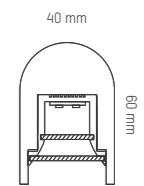


**Drivers / External**

DALI, PUSH DIM	LCM40DA
CASAMBI DIM	LCM40BLE

**Drivers / External, Tunable white**

DALI, PUSH DIM	HLC45
CASAMBI DIM	TRILC



The advanced micro prism opal diffuser gives a remarkably low glare, resulting in a pleasant but efficient light.

The lamps's end are made of steel in painted black or 24K coated gold. The twin cables allow for a easy installation.

Collection

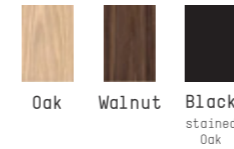


Curve

TUNTO

## TECHNICAL SPECIFICATIONS

Available colors and materials



Oak Walnut Black stained Oak

End cap color

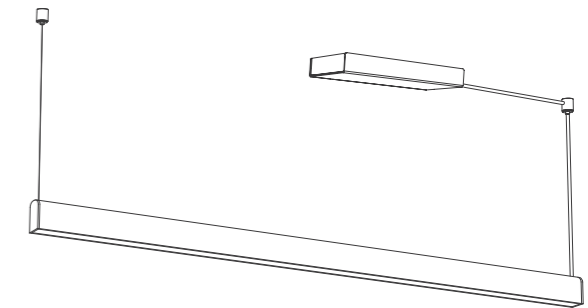
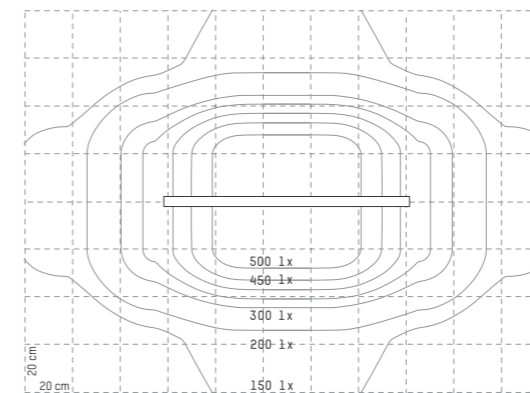


Black 24K Gold plated

Surface Finish

Oak, Walnut: Oil wax, Black Lacquer

Curve 1040 mm pendant lx / measured 1.0 m on the table



Drivers / External

500 mA	DALI, PUSH DIM	LCM40DA
	CASAMBI DIM	LCM40BLE

Drivers / External, Tunable white

500 mA	DALI, PUSH DIM	HLC45
	CASAMBI DIM	TRILC

Rated Power	24-36 W	Kelvin	2700 K, 3000 K, 4000 K
Voltage	220-240V 50/60 Hz,	Lumen	2700-6500K tunable white
Output	20-46V 350-900 mA, (standard 500mA)		1040 mm / 1300 lm
Cord Length	Standard 3 m, Transparent 5 mm, 6 mm with Tunable white.	CRI, UGR	1340 mm / 1660 lm, 1640 mm / 1950 lm 93, UGR<19
Power Box	Ceiling cup 220 x 110 x 35 mm White RAL 9003 fine efekt	Package Size	100 x 115 x 1080-1680 mm
		Package Weight	1,5-3 kg

INDOOR USE ONLY

NON-USER REPLACEABLE LIGHT SOURCE

IP20

CE



Collection