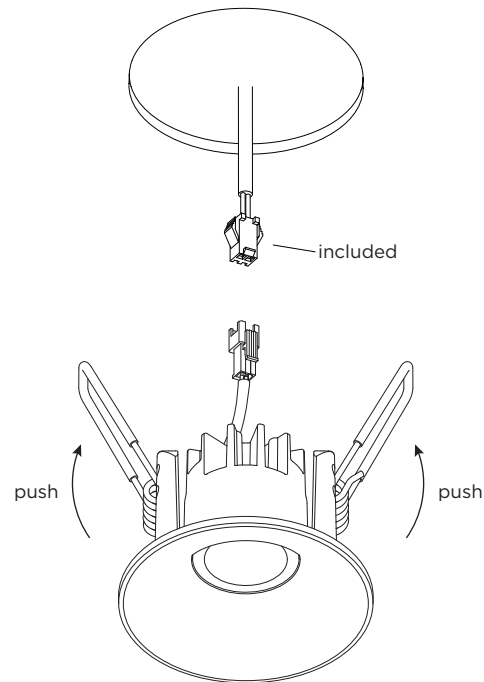


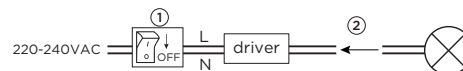
# RONY POINT FIX

INSTALLATION INSTRUCTIONS | JANUARY 2023

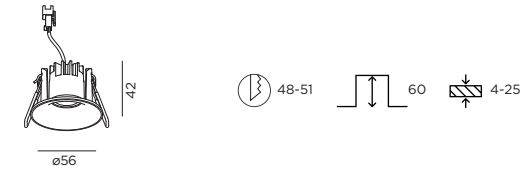


Driver must be powered off before connecting the cables.

Before connecting the luminaire/LED module to the driver please make sure the driver is not powered but disconnected from the mains. The driver can only be powered when the luminaire/LED module is already connected. Disregarding this instruction might damage or even destroy the luminaire/LED module.



## DIMENSIONS



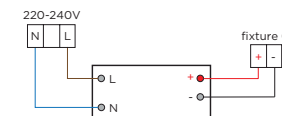
## MOUNTING INSTRUCTION

**1** Make a hole in the ceiling according to the prescribed dimensions.

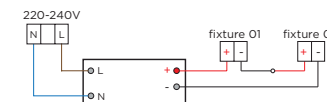
## **2** POWER CONNECTION

Always use a driver according to the specifications of the LED module.

### Single connection



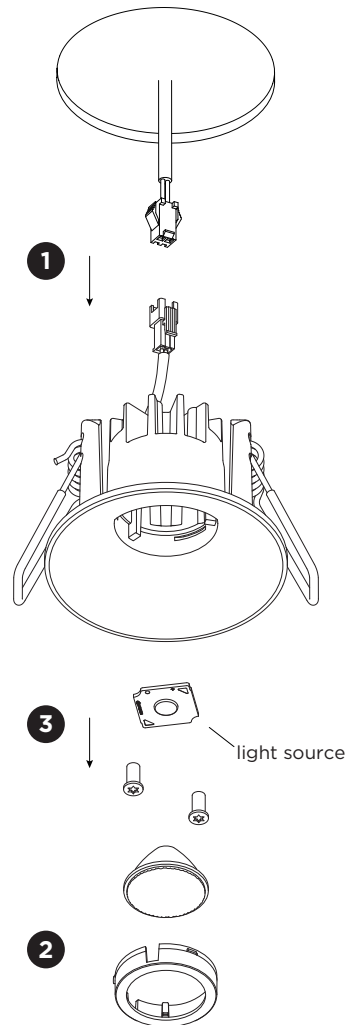
### Multiple connection



**3** Push the springs upwards and insert the fixture in the ceiling hole.

# RONY POINT FIX

INSTALLATION INSTRUCTIONS | JANUARY 2023



## DISMOUNTING AND RECYCLING INSTRUCTIONS

### Light source

- 1 Take the luminaire out of the ceiling hole and disconnect the plugs.
- 2 Take out the snout and remove the lens.
- 3 Unscrew the light source to remove it.



The light source is replaceable by Wever & Ducré or by a professional with explicit authorisation. For more information please contact your local Wever & Ducré customer service point.



This luminaire contains a light source with the energy class E.