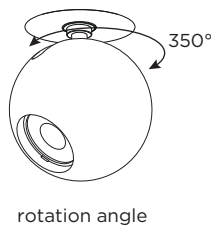
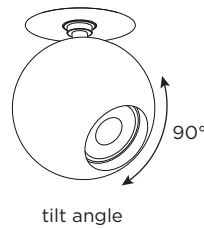
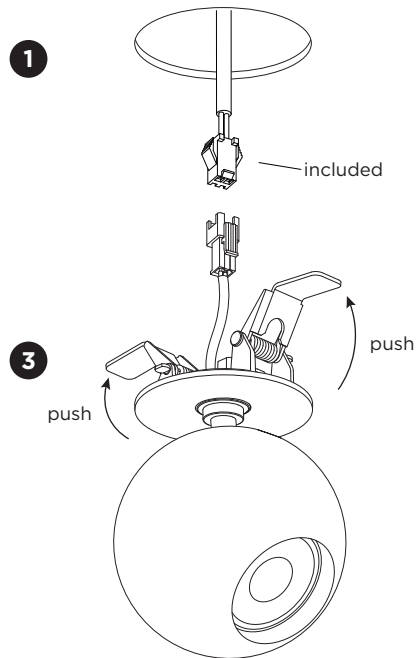


LECA CEILING RECESSED

INSTALLATION INSTRUCTIONS | JANUARY 2023



DIMENSIONS



MOUNTING INSTRUCTION

1 Make a hole in the ceiling according to the prescribed dimensions.

2 POWER CONNECTION

Always use a driver according to the specifications of the LED module.

Single connection



Multiple connection

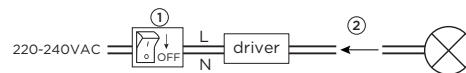


3 Push the springs upwards and insert the fixture in the ceiling hole.



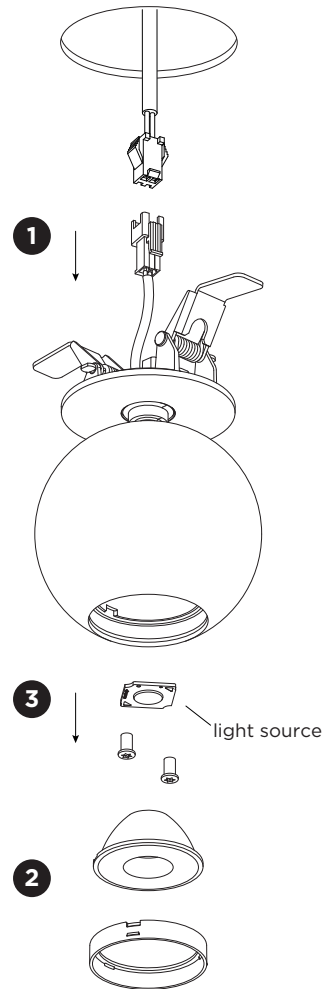
Driver must be powered off before connecting the cables.

Before connecting the luminaire/LED module to the driver please make sure the driver is not powered but disconnected from the mains. The driver can only be powered when the luminaire/LED module is already connected. Disregarding this instruction might damage or even destroy the luminaire/LED module.



LECA CEILING RECESSED

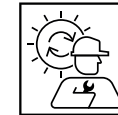
INSTALLATION INSTRUCTIONS | JANUARY 2023



DISMOUNTING AND RECYCLING INSTRUCTIONS

Light source

- 1** Take the luminaire out of the ceiling hole and disconnect the plugs.
- 2** Take out the snoot and remove the lens.
- 3** Unscrew the light source to remove it.



The light source is replaceable by Wever & Ducré or by a professional with explicit authorisation. For more information please contact your local Wever & Ducré customer service point.



This luminaire contains a light source with the energy class D.