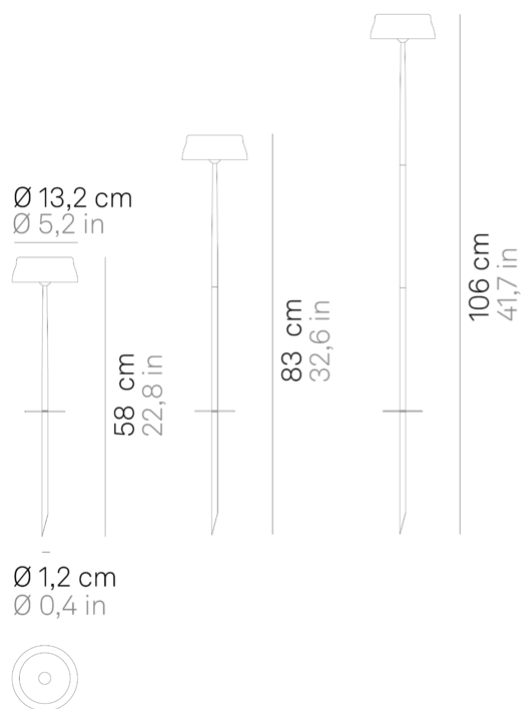


# Sister Light \_peg



Sister Light is a battery-operated portable and rechargeable table lamp. It is equipped with an electronic control system monitors the remaining autonomy and ensures constant luminous flux until the battery runs out. A customisable multifunctional touch control menu allows you to adjust the light colour temperature to 2700-3350- 4000K (dynamic white) and to set or exclude the 4-step dimmer function. The top of the lamp, fixed to the stem, can be converted to magnetic fixing and detached to become an emergency light. The base of the lamp is designed to be mechanically fixed to a table.



LED dimmable IP65

LD0302

Copper R3 Green V3



# Sister Light \_peg

## Lighting specifications

---

source	LED
type	SMD
total power	3,0 W
power LED	2,4 W
color temperature	2700 - 3150 - 4000 K
lumen lamp	250 - 260 - 270 lm
lumen LED	305 - 326 - 328 lm
beam angle	100°
CRI	> 90
class	E
dimmer	TOUCH DIMMER
motion sensor	NO

## Electrical specifications

---

voltage	100-240V
frequency	50/60 Hz
input	100-240V
output	5 Vdc max 2A
batteria	batteria a pacchetto li-lon 3 celle mod.18650 2500 ma/h
autonomia	100% 8 h. - 60% 13 h. - 30% 28 h. - 6% 58 h.
tempo di ricarica	5 H.

## ACCESSORIES

---