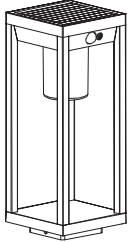


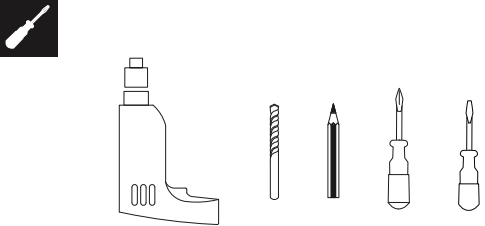
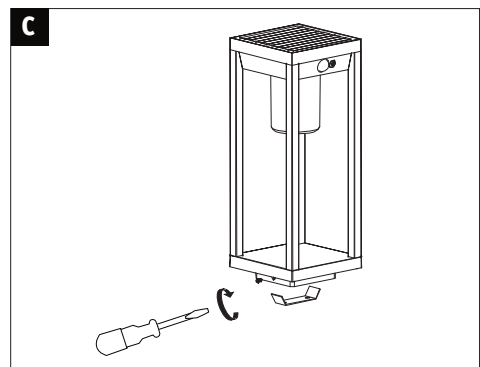
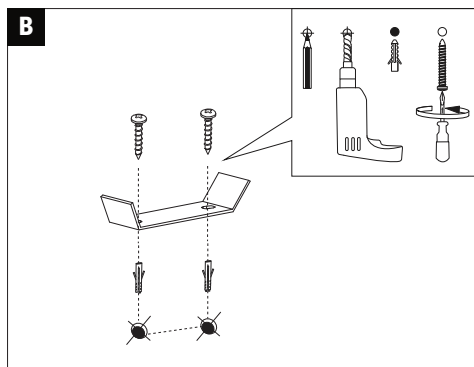
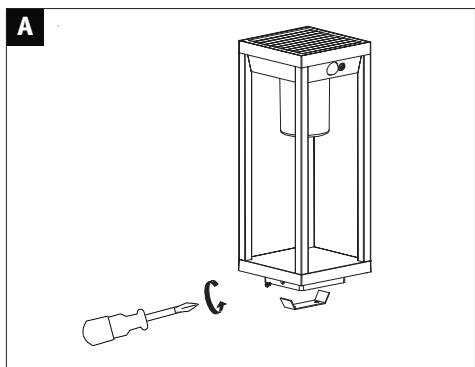
Art.-Nr.: 945.73

PSH 04/21

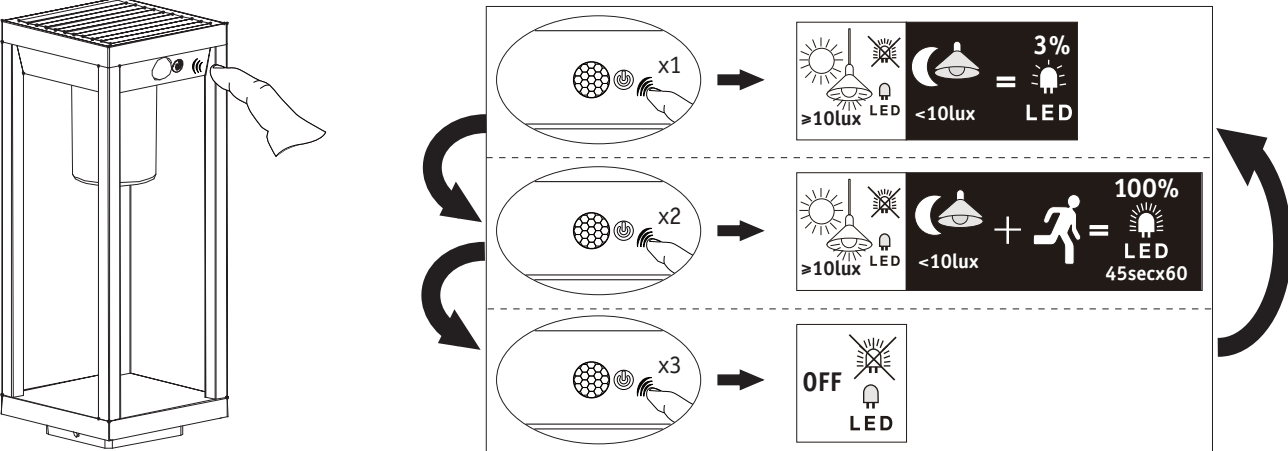
CE UK CA



Incl.

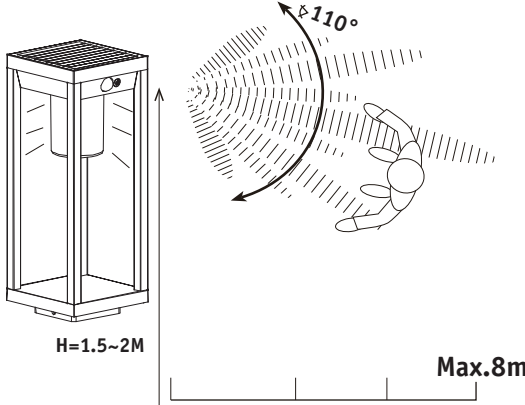



D



$\geq 10\text{lux}$ LED $\times 1$ → 3% LED $< 10\text{lux}$
 $\geq 10\text{lux}$ LED $\times 2$ → 100% LED $< 10\text{lux}$
 $\geq 10\text{lux}$ LED $\times 3$ → OFF LED $< 10\text{lux}$

E

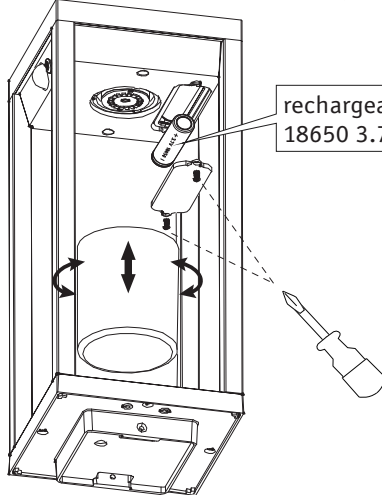


H=1.5~2M

Max. 8m

$\approx 110^\circ$

i



rechargeable Li-ion battery
18650 3.7V 2000mAh