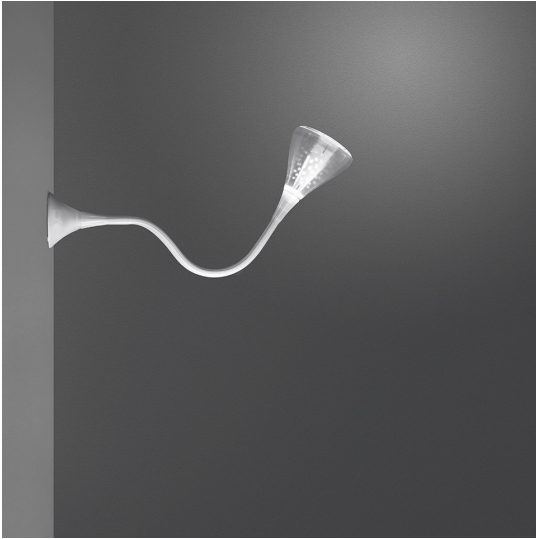
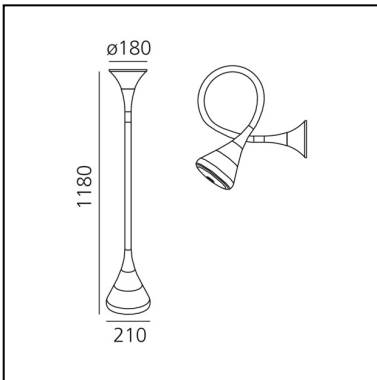


Pipe Wall/Ceiling LED 2700K

Herzog & de Meuron



IP20    Dimmbar: 



LUMINAIRE

- Power Supply: **Elektronisch Integriert**
- Watt: **27W**
- Spannung (V): **220-240V**
- Lichtstrom (lm): **1763lm**
- CCT: **2700K**
- Efficiency: **67%**
- Efficacy: **65.30lm/W**
- CRI: **90**
- Dimmable Typology: **Push**

BESCHREIBUNG

Wall/ceiling lamp with flexible painted steel structure, covered with a natural anti-yellowing silicone case; wall attachment and diffuser in transparent rubber-effect painted polycarbonate; mirror aluminium reflector with random perforations; painted steel bottom plate. The new internal diffuser is reinterpreting the old fluorescent lamp using a modern LED source, this guarantees the same optical performance with less power consumption and a better quality of light.

FUNKTIONEN

- Produktcode: **0671W10A**
- Farbe: **transparent**
- Installation: **DeckenleuchteWandleuchte**
- Material: **Polycarbonate, steel, silicon**
- Serie: **Design Collection**
- Anwendungsbereich: **Innenbeleuchtung**
- design: **Herzog & de Meuron**

DIMENSION

- Höhe: **1180 mm**
- Breite: **210 mm**
- Durchmesser Fuß: **180 mm**
- Widerstand: **IK6**
- Glühdrahttest: **960°**

INKLUSIVE LICHTQUELLEN

- Kategorie: **Led**
- Anzahl: **1**
- Watt: **24.2W**
- Lichtstrom (lm): **2607lm**
- Farbtemperatur(K): **2700K**
- CRI: **90**
- Color Tolerance: **MacAdam 2SDCM**
- Efficacy: **108lm/W**
- Service Life: **50000-L70**