

TUBE CARRÉ

1.0

29-Aug.-2018

1.0 LED

LED 8W | 220-240VAC | 50-60Hz | COB 3-step | incl. PS | phase-cut dim

CE IP65 0.9m

3000K | >90CRI | 380lm

white texture
dark grey texture
black texture

744164W5
744164D5
744164B5

1.0 PAR16

PAR16 LED max.10W | GU10 | 100-240VAC | 50-60Hz

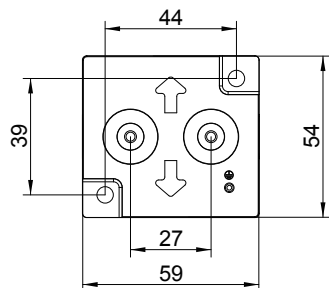
CE IP65 0.9m

white texture
dark grey texture
black texture

744120W0
744120D0
744120B0

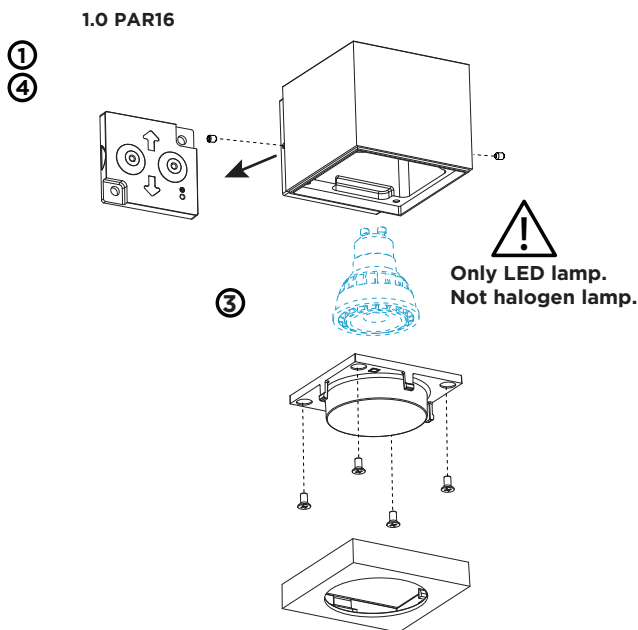
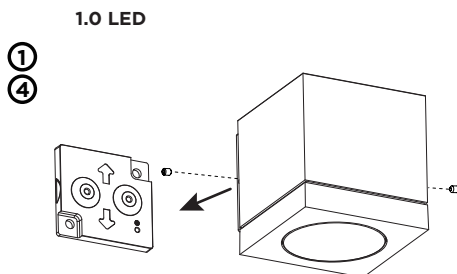
OPTIONAL
for PAR16 LED lamps see our catalogue

backplate:

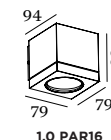
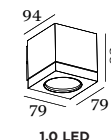


necessary for IP-rating

	A	B	C
use pin to make hole, not a knife			
CABLE			
TYPE	ROUND H05RN-F H07RN8-F H07RN-F	ROUND H05RN-F	ROUND
OUTSIDE Ø	min 6.8mm max 8.9mm	min 5mm max 6.8mm	min 1.5mm max 2.6mm
CONDUCTION SECTION	2or3x 0.75mm ² 2or3x 1.0mm ² 2or3x 1.5mm ²	2or3x 0.75mm ² 2x 1.0mm ²	0.75mm ² 1.5mm ²



DIMENSIONS



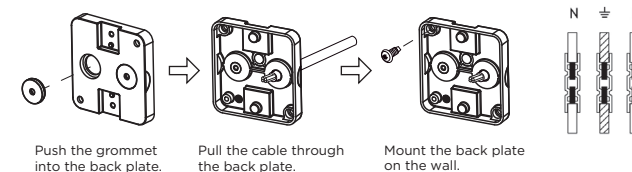
1 MOUNTING INSTRUCTION

Remove the backplate and fixate it to the wall with screws.

2 POWER CONNECTION

Exterior: WATERPROOF Connection

IP-rated connections for wall fixtures: cable isolation for round cables \varnothing 4.5-7.5 mm, should be in the grommet. For cable use \varnothing 7.0-9.5 mm: replace the grommet with the other grommet in the bag. Refer to overview table.



3 For PAR16 version:

- Pry the body cover to open with a straight screwdriver.
- loosen the four screws of the glass cover and remove it.
- Insert the lamp
- put back the glass cover with the four screws.
- place back the body cover by pushing to click.

4 Mount the luminaire on the backplate with the allen screws.

The light source of the integrated LED is not replaceable; When the light source reaches its end of life the whole luminaire shall be replaced.

Caution, risk of electric shock