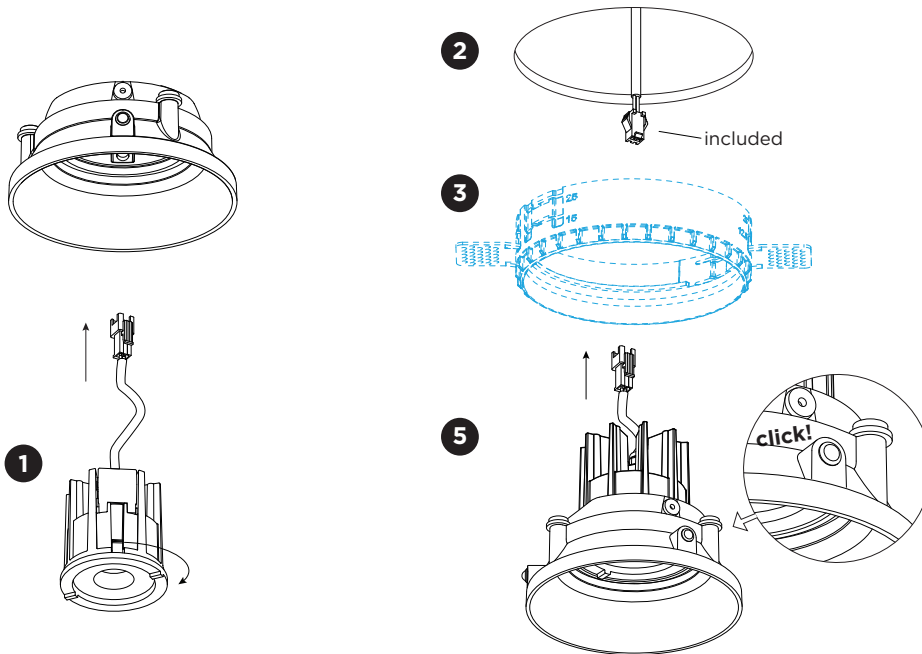
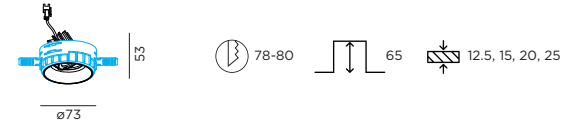


DEEP ADJUST PETIT trimless

INSTALLATION INSTRUCTIONS | DECEMBER 2023



DIMENSIONS



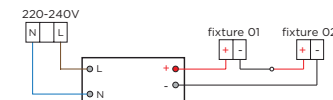
MOUNTING INSTRUCTION

- 1 Put the LED engine in the fixture by turning a quarter clockwise.
- 2 Make a hole in the ceiling according to the prescribed dimensions.
- 3 Install the plasterkit into the hole (please see page 2 for details).
- 4 **POWER CONNECTION**
Always use a driver according to the specifications of the LED module.

Single connection



Multiple connection

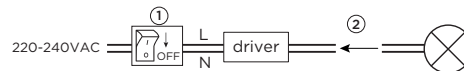


- 5 Connect the plugs and push the luminaire in the plasterkit hole.



Driver must be powered off before connecting the cables.

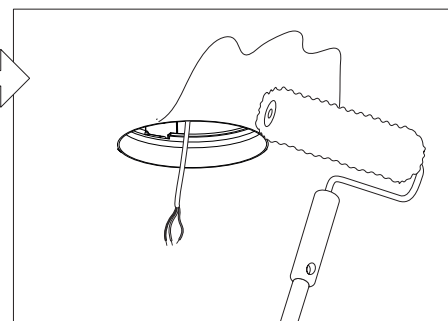
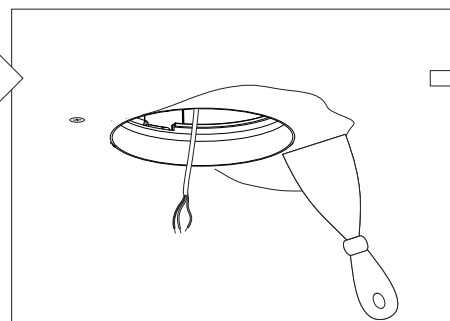
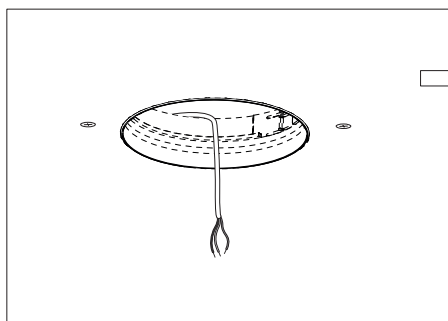
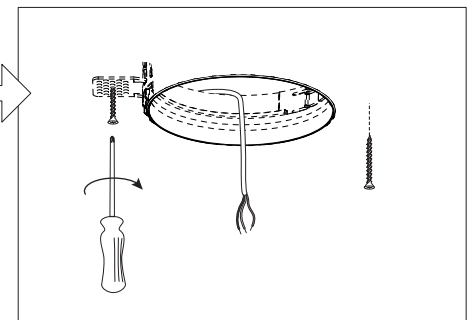
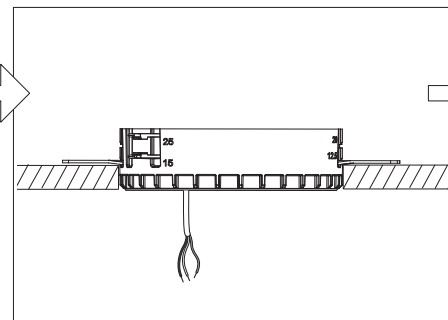
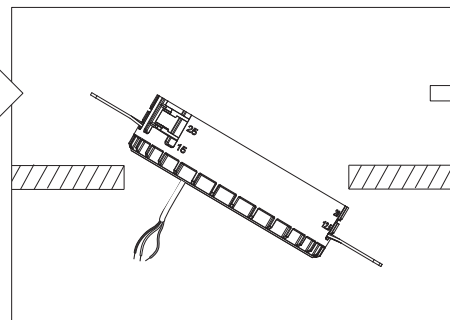
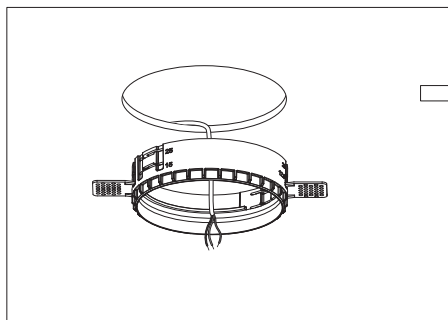
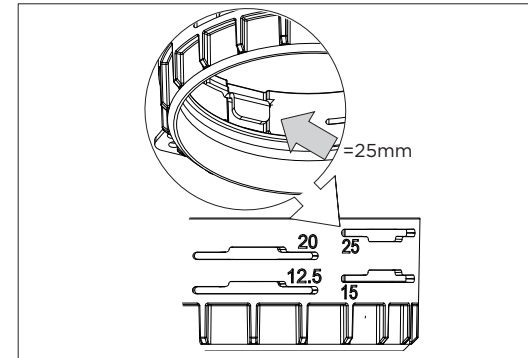
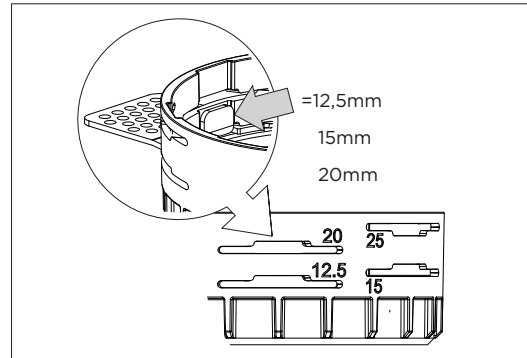
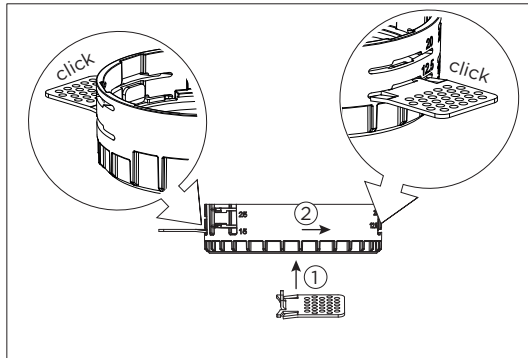
Before connecting the luminaire/LED module to the driver please make sure the driver is not powered but disconnected from the mains. The driver can only be powered when the luminaire/LED module is already connected. Disregarding this instruction might damage or even destroy the luminaire/LED module.



DEEP ADJUST PETIT trimless

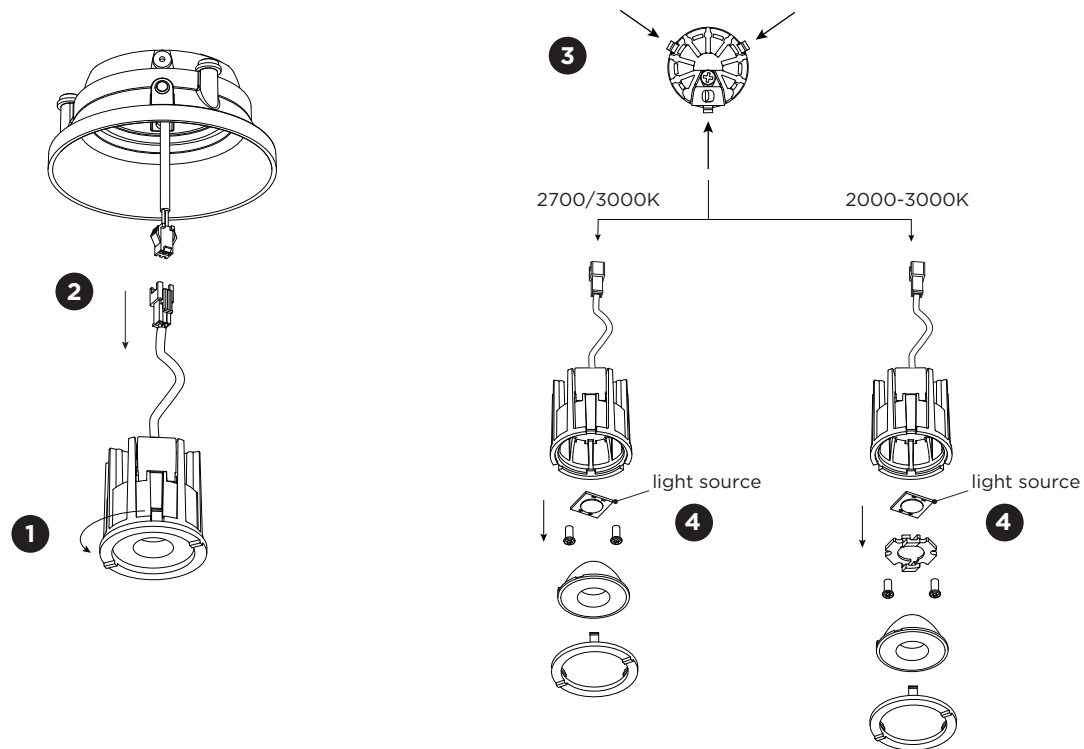
INSTALLATION INSTRUCTIONS | DECEMBER 2023

Install the plasterkit into the ceiling hole.



DEEP ADJUST PETIT trimless

INSTALLATION INSTRUCTIONS | DECEMBER 2023



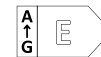
DISMOUNTING AND RECYCLING INSTRUCTIONS

Light source

- 1 Hold and turn the front ring a quarter counter clockwise and pull out the LED module.
- 2 Unplug the LED module to remove it.
- 3 Push at the three points to loosen the front ring.
- 4 Take out the lens and unscrew the light source or holder to remove the light source.



The light source is replaceable by Wever & Ducré or by a professional with explicit authorisation. For more information please contact your local Wever & Ducré customer service point.



This luminaire contains a light source with the energy class E.