



120V

E26
SOCKET

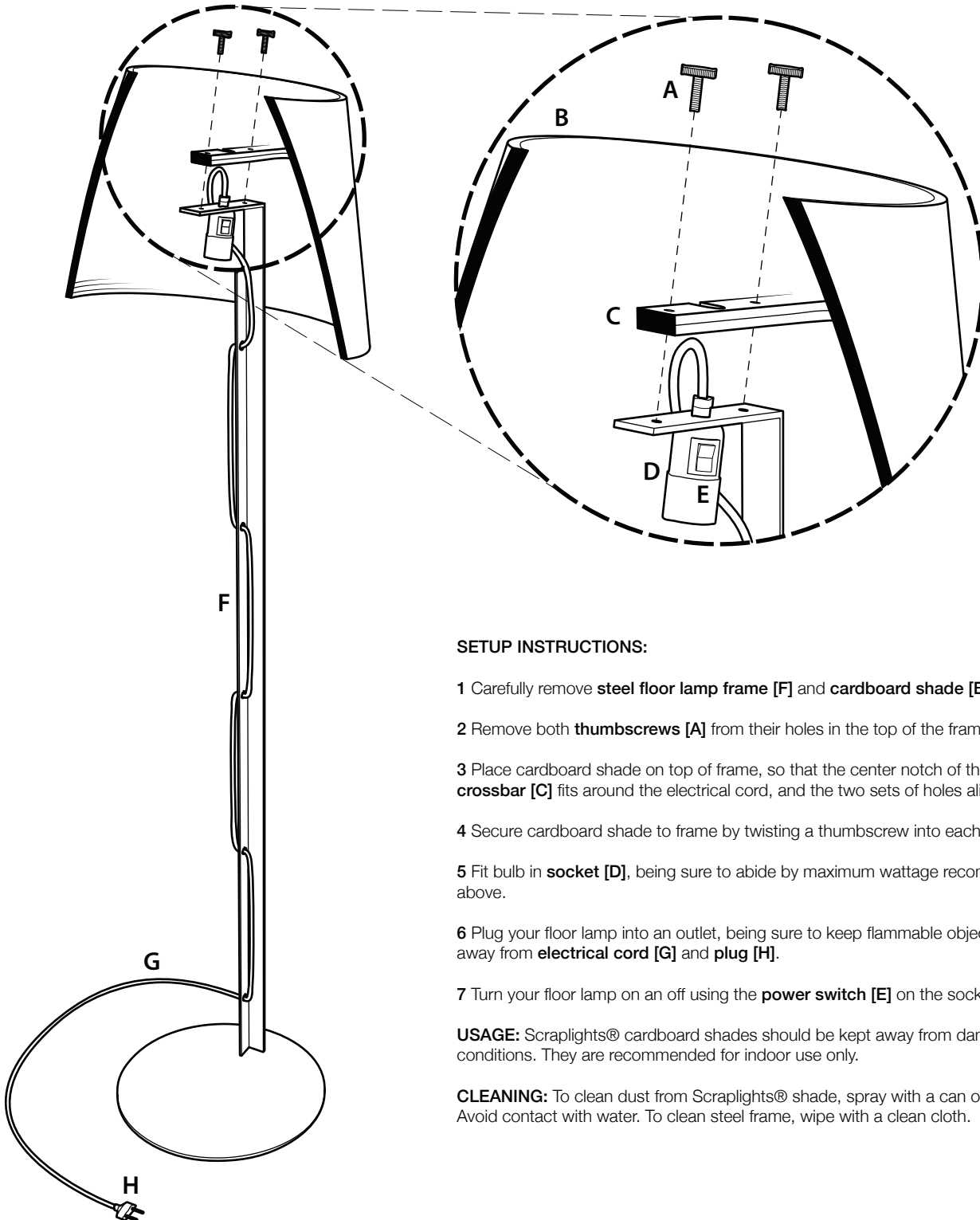
100W
MAX

A19
CLEAR
GLOBE

2700K
CFL
GLOBE

2700K
LED

← recommended bulb types →



SETUP INSTRUCTIONS:

- 1 Carefully remove **steel floor lamp frame [F]** and **cardboard shade [B]** from packaging.
- 2 Remove both **thumbscrews [A]** from their holes in the top of the frame.
- 3 Place cardboard shade on top of frame, so that the center notch of the **cardboard crossbar [C]** fits around the electrical cord, and the two sets of holes align.
- 4 Secure cardboard shade to frame by twisting a thumbscrew into each hole.
- 5 Fit bulb in **socket [D]**, being sure to abide by maximum wattage recommendations shown above.
- 6 Plug your floor lamp into an outlet, being sure to keep flammable objects and materials away from **electrical cord [G]** and **plug [H]**.
- 7 Turn your floor lamp on an off using the **power switch [E]** on the socket.

USAGE: Scraplights® cardboard shades should be kept away from damp or humid conditions. They are recommended for indoor use only.

CLEANING: To clean dust from Scraplights® shade, spray with a can of compressed air. Avoid contact with water. To clean steel frame, wipe with a clean cloth.