

# IRIS CEILING WALL MIRROR 80 de Fabrice Berrux

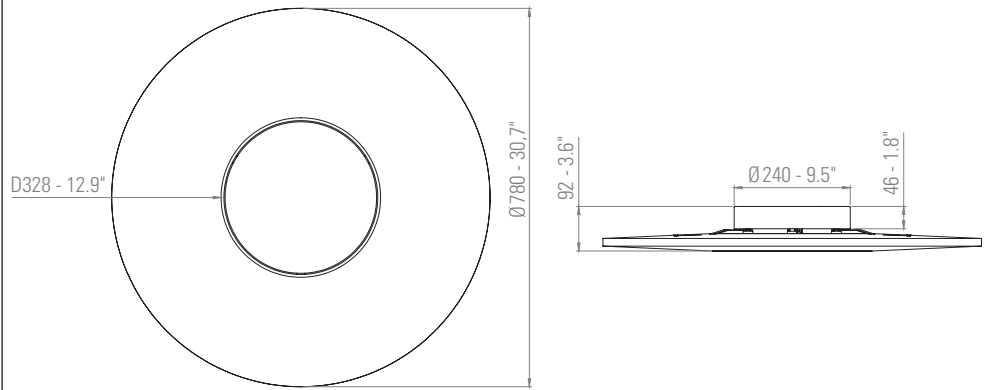
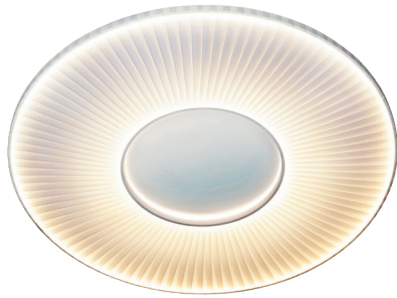
## FICHE TECHNIQUE TECHNICAL SHEET



APPLIQUE & PLAFONNIER WALL & CEILING LAMP

<b>Matériaux</b> Materials	<b>Taffetas de polyester, aluminium, acier</b> Polyester taffetas, aluminium, steel
<b>Poids net</b> Net weight	<b>3,45 kg</b>
<b>Emballages</b> Packagings	<b>875 x 150 x 875 mm</b> <b>396 x 26 x 396 mm</b>
<b>IP</b> IP	<b>20</b>

<b>Tension</b> Voltage	<b>230V (110V pour la version CETL)</b> 230V (110V for CETL version)
<b>Classe</b> Class	<b>1</b>
<b>Watt</b> Watt	<b>49W</b>
<b>Source</b> Source	<b>LED intégrée 2700K, gradable TRIAC</b> Integrated LED 2700K, dimmable TRIAC
<b>Lumens</b> Lumens output	<b>7350 lm</b>
<b>Driver</b> Driver	<b>Driver interne fourni</b> <b>Gradable TRIAC intégré 60W / 2,5A / 24V</b> <b>Option DALI ou CASAMBI sur demande</b> Integrated driver supplied TRIAC dimmable 60W / 2.5A / 24V DALI or CASAMBI option on request
<b>Câble</b> Wire	<b>NA</b>
<b>Interrupteur</b> Switch	<b>NA</b>
<b>Fiches</b> Plug	<b>NA</b>



# IRIS CEILING WALL 80

de Fabrice Berrux

## FICHE TECHNIQUE TECHNICAL SHEET



APPLIQUE & PLAFONNIER WALL & CEILING LAMP

<b>Matériaux</b> Materials	<b>Taffetas de polyester, aluminium, acier</b> Polyester taffetas, aluminium, steel
<b>Poids net</b> Net weight	<b>3,45 kg</b>
<b>Emballage</b> Packaging	<b>875 x 150 x 875 mm</b>
<b>IP</b> IP	<b>20</b>

<b>Tension</b> Voltage	<b>230V (110V pour la version CETL)</b> 230V (110V for CETL version)
<b>Classe</b> Class	<b>1</b>
<b>Watt</b> Watt	<b>49W</b>
<b>Source</b> Source	<b>LED intégrée 2700K, gradable TRIAC</b> Integrated LED 2700K, dimmable TRIAC
<b>Lumens</b> Lumens output	<b>7350 lm</b>
<b>Driver</b> Driver	<b>Driver interne fourni</b> <b>Gradable TRIAC intégré 60W / 2,5A / 24V</b> <b>Option DALI ou CASAMBI sur demande</b> Integrated driver supplied TRIAC dimmable 60W / 2.5A / 24V DALI or CASAMBI option on request
<b>Câble</b> Wire	<b>NA</b>
<b>Interrupteur</b> Switch	<b>NA</b>
<b>Fiches</b> Plug	<b>NA</b>