

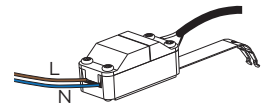
# SOLID

INSTALLATION INSTRUCTIONS | AUGUST 2020

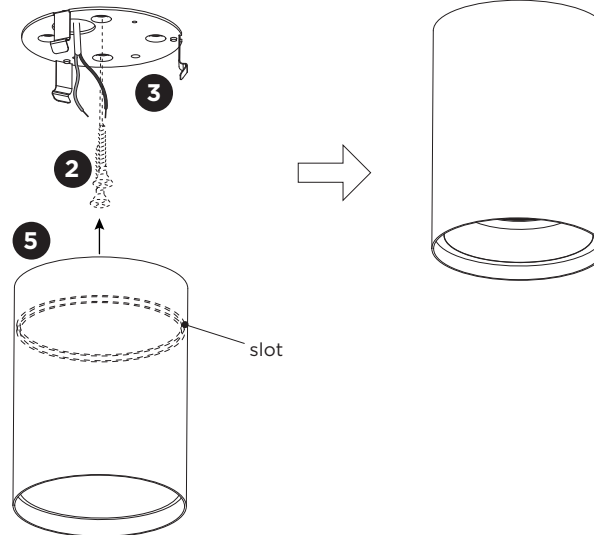
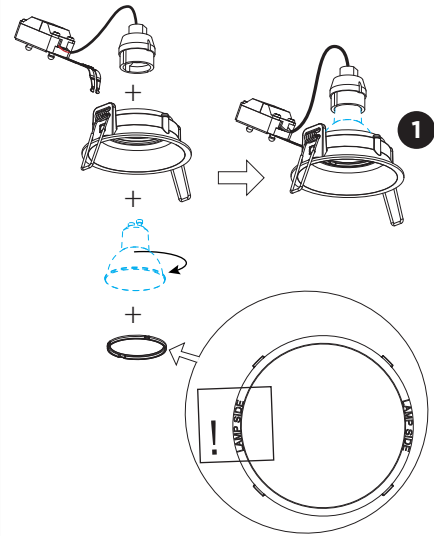
## DIMENSIONS



## MOUNTING INSTRUCTION

- 1** First assemble the PAR16 luminaire and housing (mount the lamp by quarter turn in the socket).
- 2** Mount the base plate to the ceiling with screws (screws are not included).
- 3** **POWER CONNECTION**  
Connect to 220-240V.  

- 4** Push the springs up and insert the assembled unit in the luminaire tube body.
- 5** Attach the tube to the mounting base by sliding it over completely against the ceiling.  
Note: the side with the slot should be upward to lock the springs of the ceiling base plate.

First assemble the PAR16 luminaire and housing.



Mounting base:

