

BISHOP

14-May-2019

4.0 SHADE ONLY

E27 LED max. 25W | E27 | 220-240VAC | 50-60Hz

CE IP20 0.9m

white texture	218100W0
dark grey texture	218100D0
black texture + gold	218100K0
soft yellow	218100SY
greyish rose	218100GR
greyish green	218100GG

for lamps see our catalogue

6.0 SHADE ONLY

E27 LED max. 25W | E27 | 220-240VAC | 50-60Hz

CE IP20 0.9m

white texture	218200W0
dark grey texture	218200D0
black texture + gold	218200K0
soft yellow	218200SY
greyish rose	218200GR
greyish green	218200GG

for lamps see our catalogue

ALWAYS USE: cable suspension set

2.0m cable

White	90015120
Red	90015138
Grey	90015134
Black	90015119

6.0m cable

White	90015128
Red	90015140
Grey	90015136
Black	90015127

8.0 SHADE ONLY

E27 LED max. 25W | E27 | 220-240VAC | 50-60Hz

CE IP20 0.9m

white texture	218300W0
dark grey texture	218300D0
black texture + gold	218300K0
soft yellow	218300SY
greyish rose	218300GR
greyish green	218300GG

for lamps see our catalogue

ALWAYS USE: cable suspension set

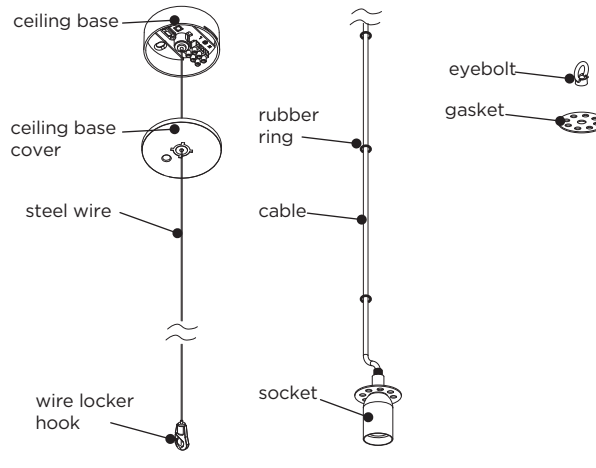
2.0m cable

White	90015123
Red	90015139
Grey	90015135
Black	90015122

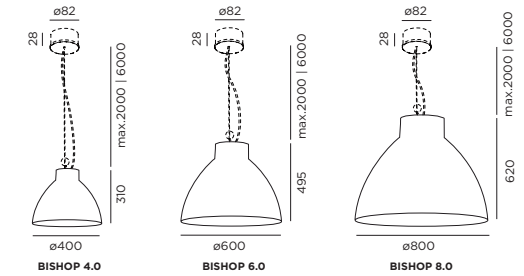
6.0m cable

White	90015131
Red	90015141
Grey	90015137
Black	90015130

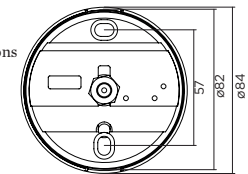
Parts list of CABLE SUSPENSION SET:



DIMENSIONS

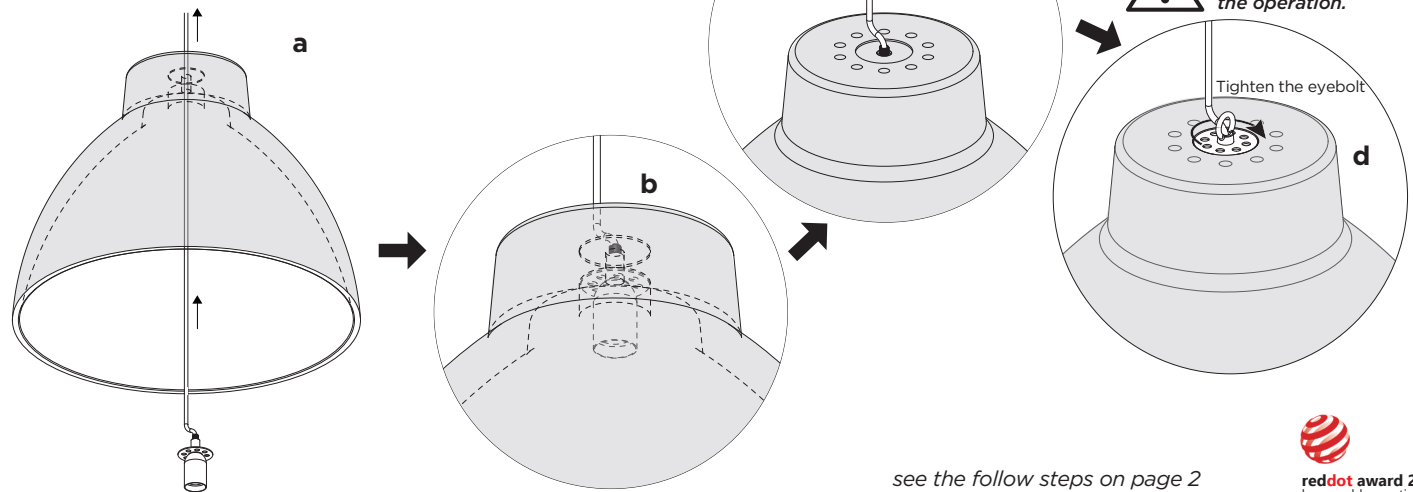


Ceiling base dimensions



MOUNTING INSTRUCTION

① Mount the socket at the shade. (refer to steps: a, b, c, & d)



see the follow steps on page 2



WEVER & DUCRÉ
LIGHTING

www.weverducre.com

Wever & Ducre bvba Spinnerijstraat 99/21 8500 Kortrijk

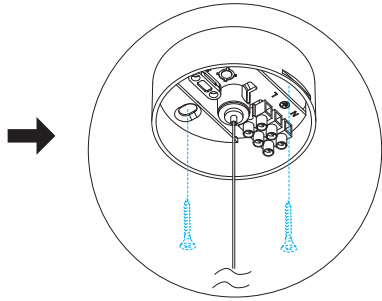
INSTALLATION
INSTRUCTIONS

PAGE 1/2

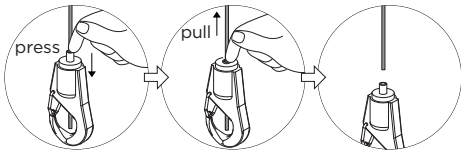
BISHOP

14-May-2019

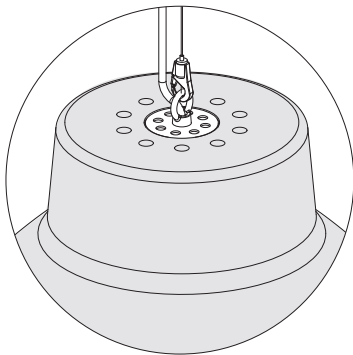
- ② Fix the ceiling base to the ceiling with screws.



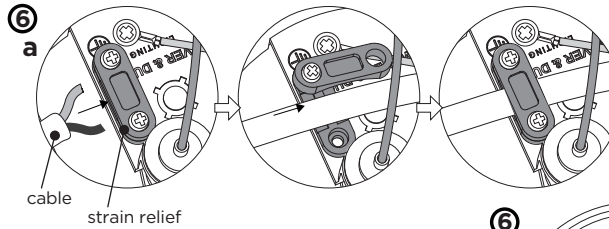
- ③ Loose steel wire from the wire locker hook.



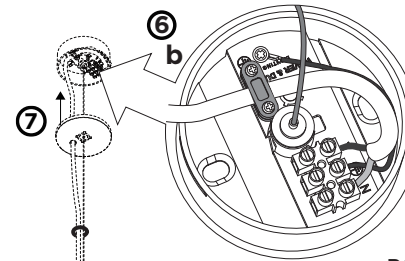
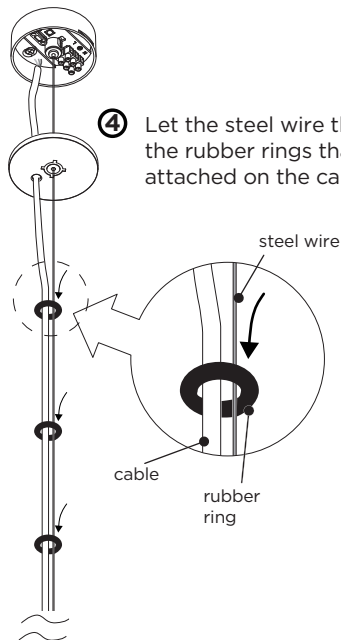
- ⑤ Insert the steel wire back into the wire locker hook. And then hang the hook on the eyebolt.



Note: It is mandatory to fix the cable tightly with the strain relief.

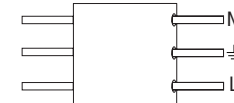


- ④ Let the steel wire through the rubber rings that attached on the cable.

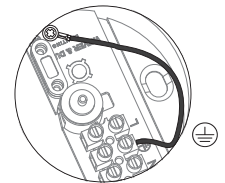


POWER CONNECTION

- ⑥ Interior: STANDARD connection (refer to steps: a&b)



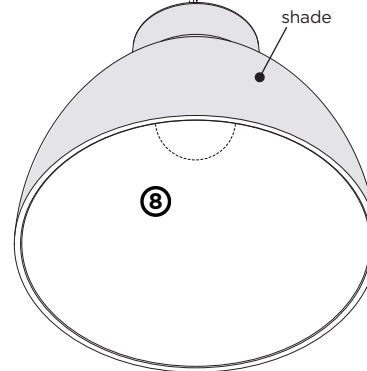
Ceiling base earthing connection:



- ⑦ Adjust cable length if necessary and close the ceiling base with the cover.

(You have to turn the cover counterclockwise a quarter in order to loosen it from the ceiling base and mounting back on is by turning clockwise.)

- ⑧ Insert lamp (MAX. 25W), lamp is not included.



WEVER & DUCRÉ
LIGHTING

www.weverducre.com

Wever & Ducre bvba Spinnerijstraat 99/21 8500 Kortrijk

INSTALLATION
INSTRUCTIONS

PAGE 2/2


reddot award 2015
honourable mention