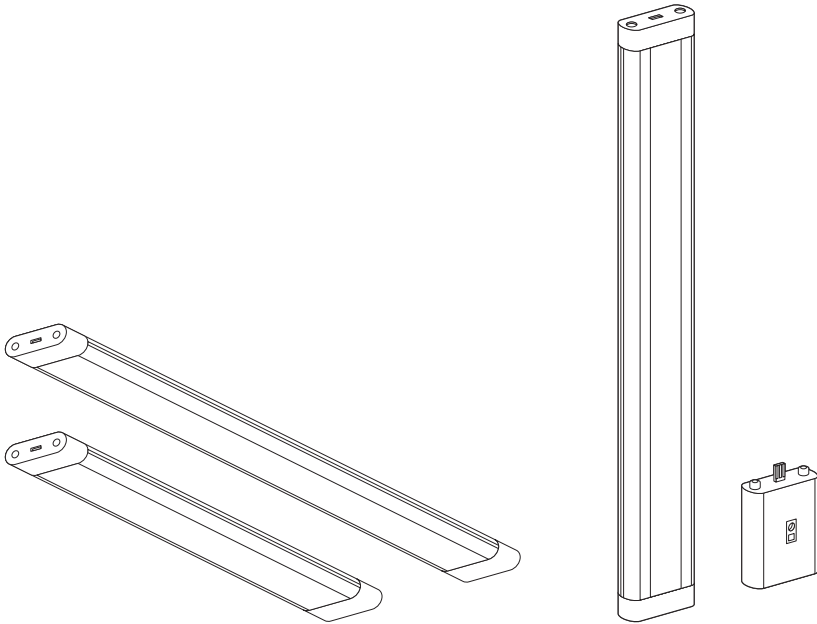
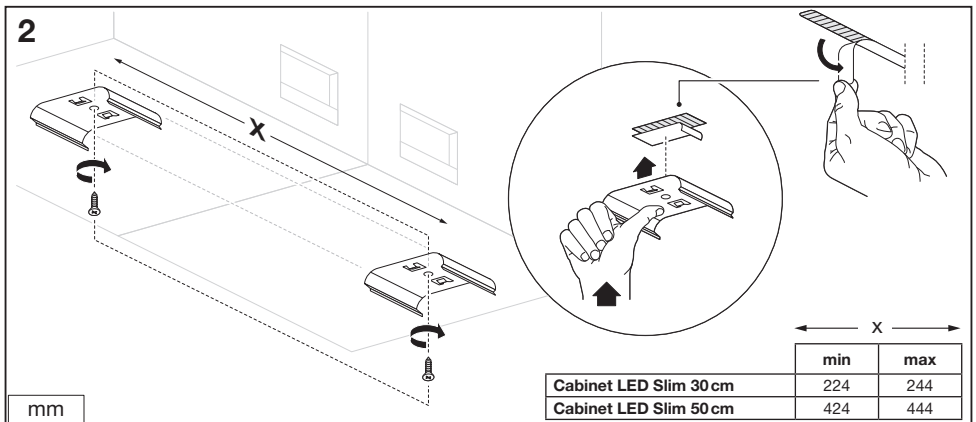
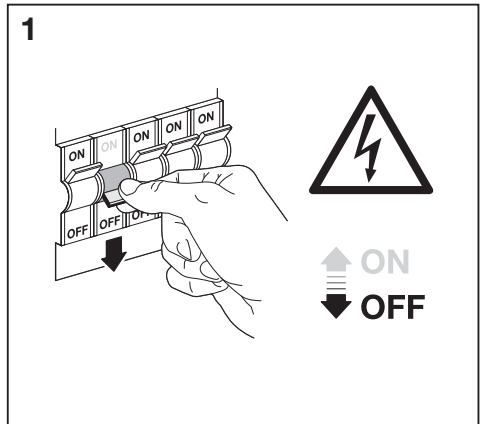
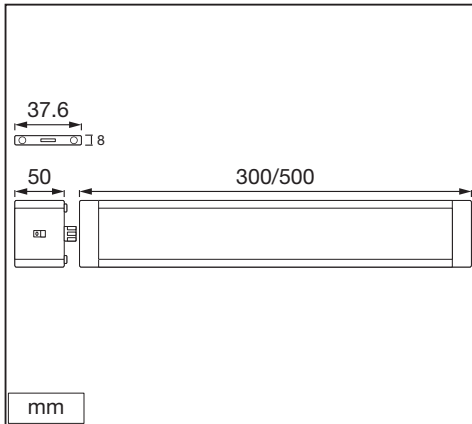
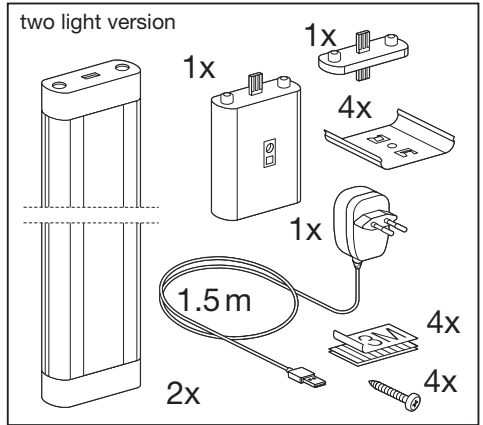
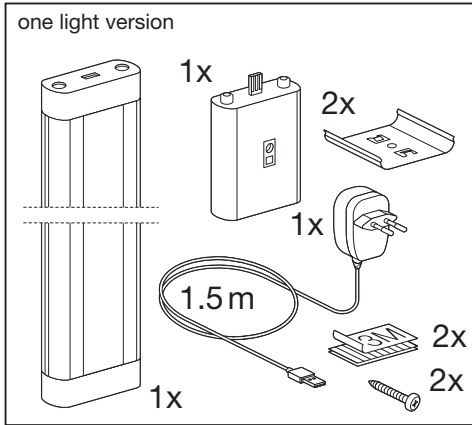
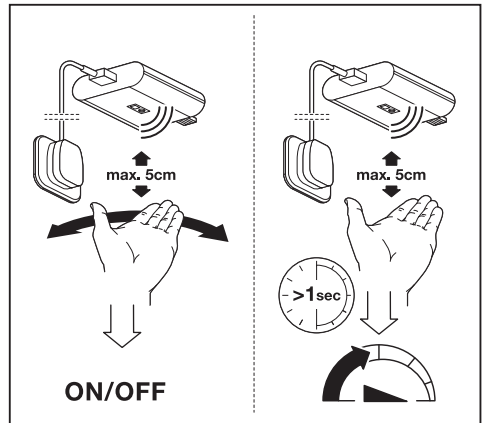
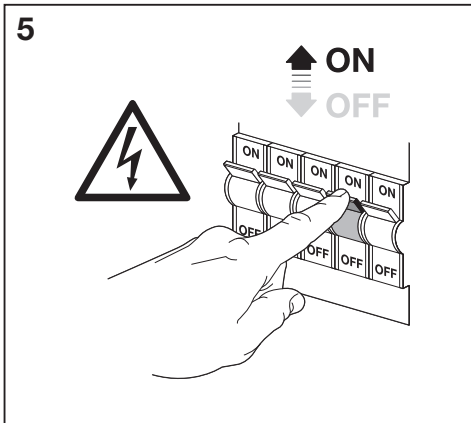
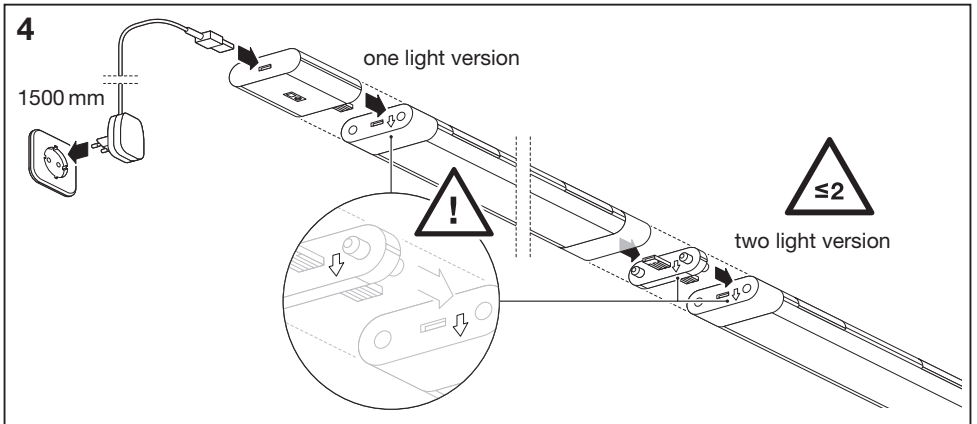
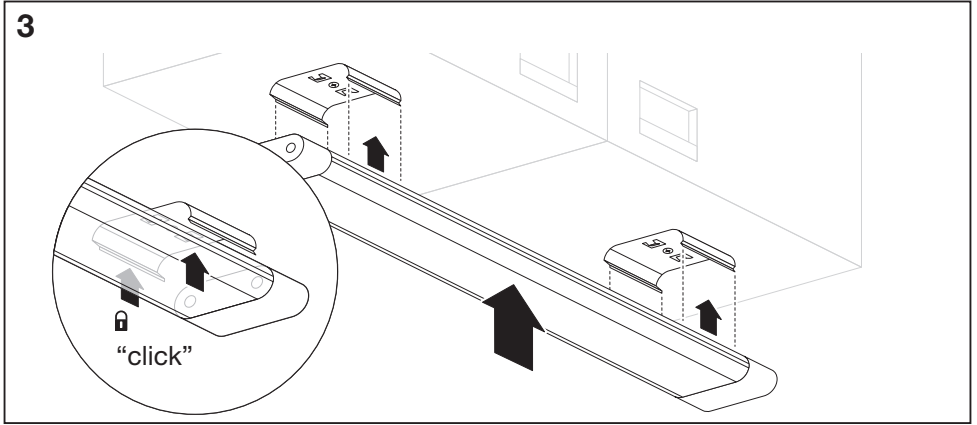

CABINET LED SLIM



	EAN	W	lm	K	⊖ (°C)	V~	mA	Hz	PF	⊞
Cabinet LED Slim 30 cm	4058075227699	6	250	3000	-20...+40	220-240	60	50/60	>0.5	0.2 kg
Cabinet LED Slim 30 cm two light	4058075227712	11	530	3000	-20...+40	220-240	110	50/60	>0.5	0.3 kg
Cabinet LED Slim 50 cm	4058075268364	10	470	3000	-20...+40	220-240	100	50/60	>0.5	0.5 kg
Cabinet LED Slim 50 cm two light	4058075227736	18	980	3000	-20...+40	220-240	180	50/60	>0.5	0.5 kg







C10449057
G11073283
05.04.2019



LEDVANCE GmbH
Steinerne Furt 62
86167 Augsburg, Germany
www.ledvance.com