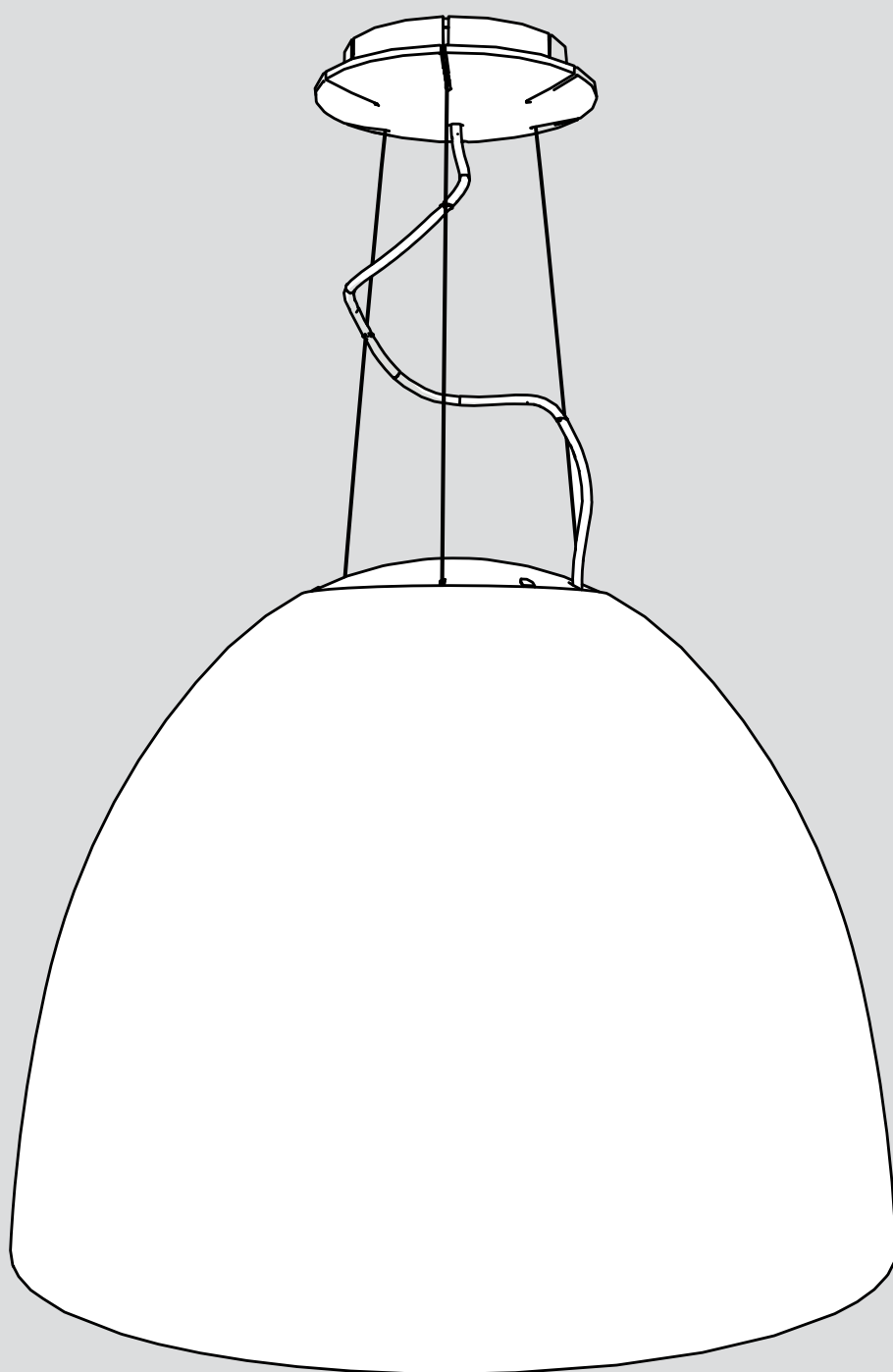


# Artemide®

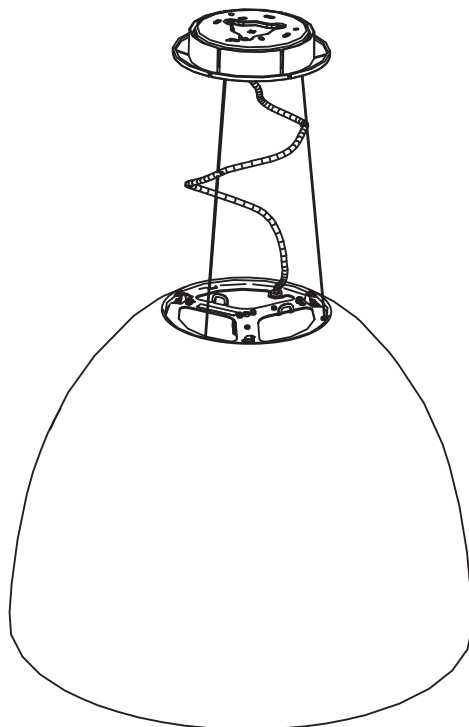
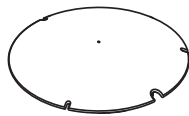
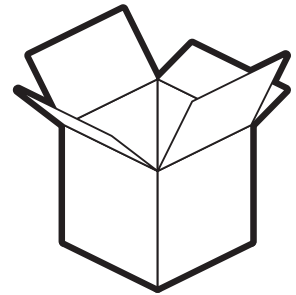
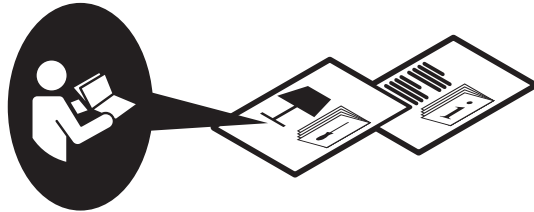
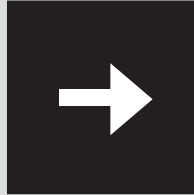
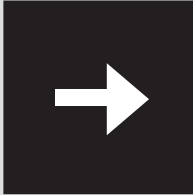
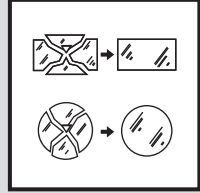
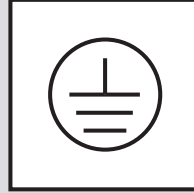
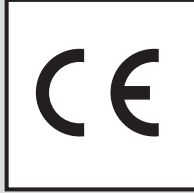
## Nur 1618

design  
Ernesto Gismondi

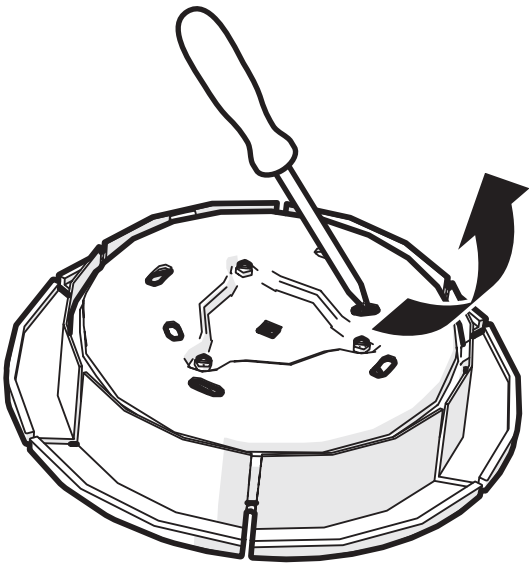




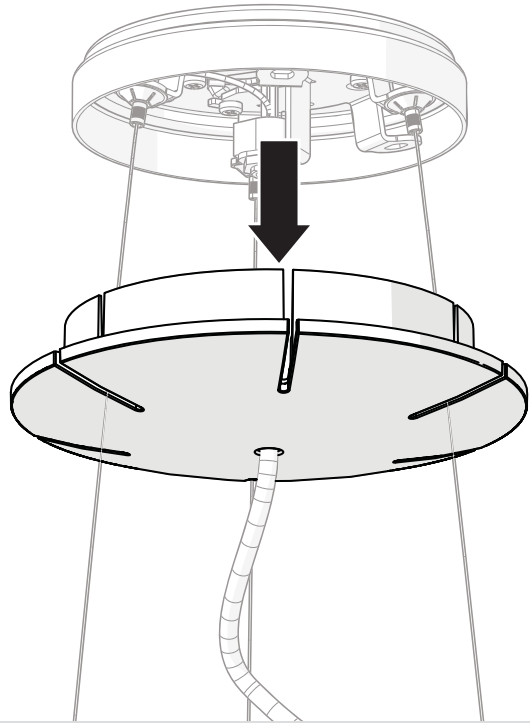
i



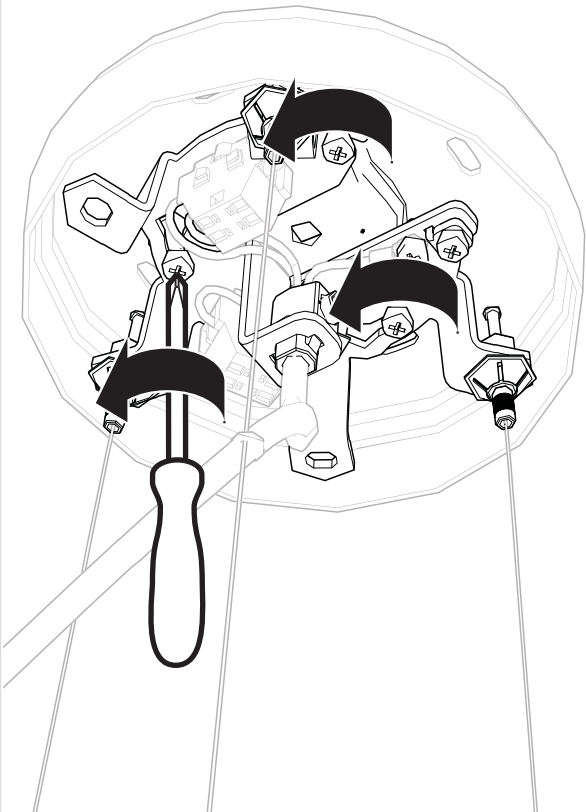
1



2



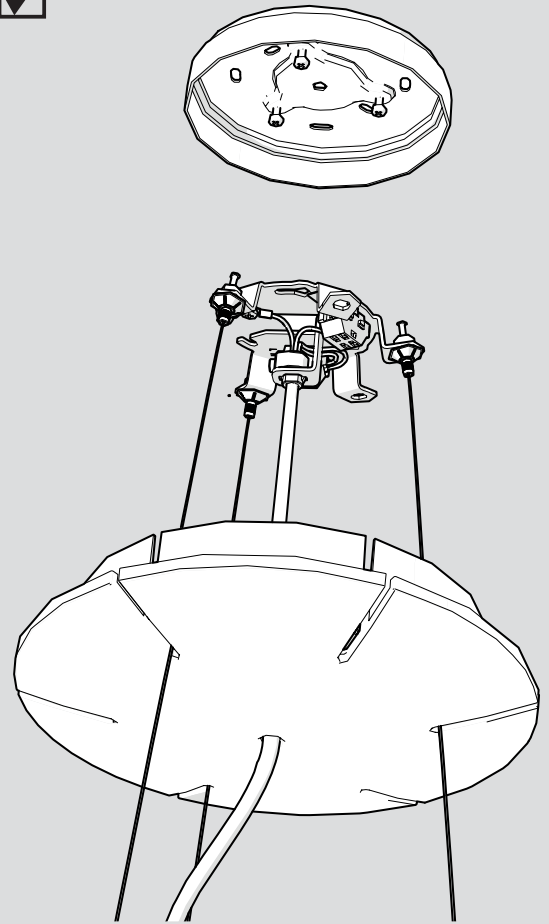
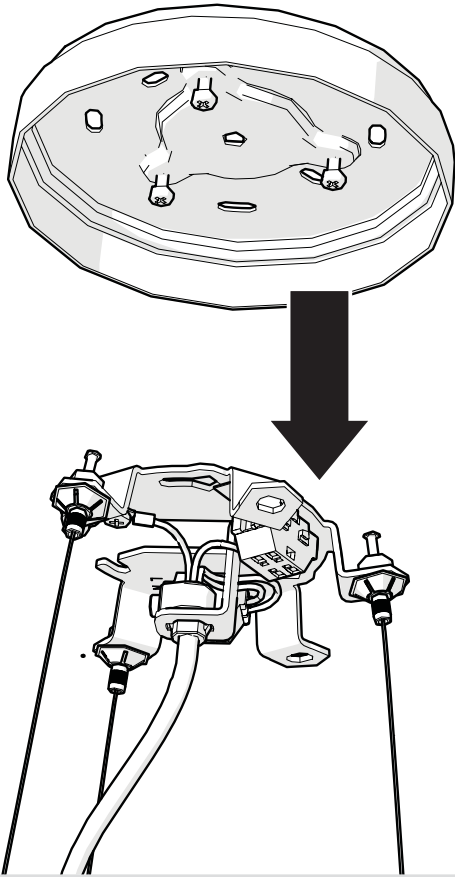
3



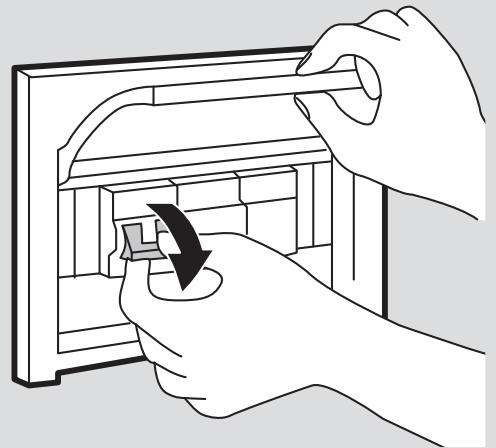
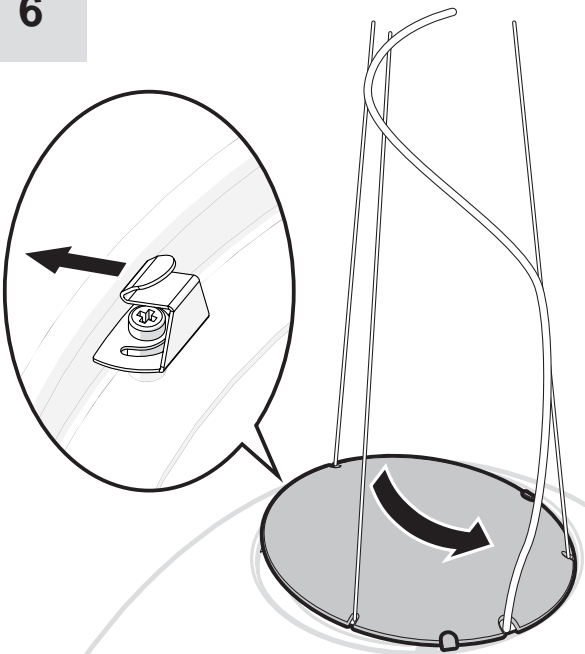
4



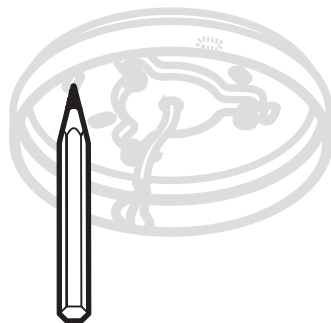
5



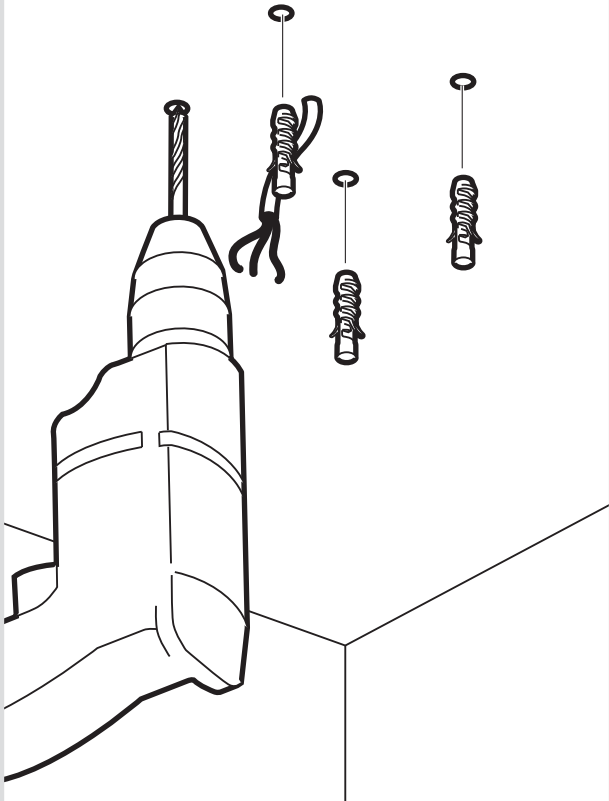
6



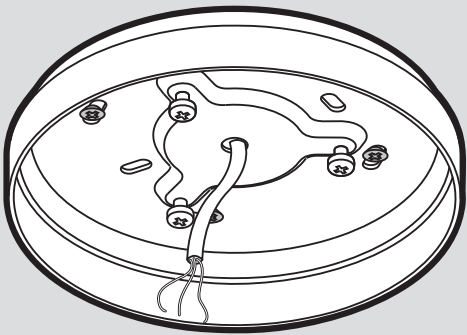
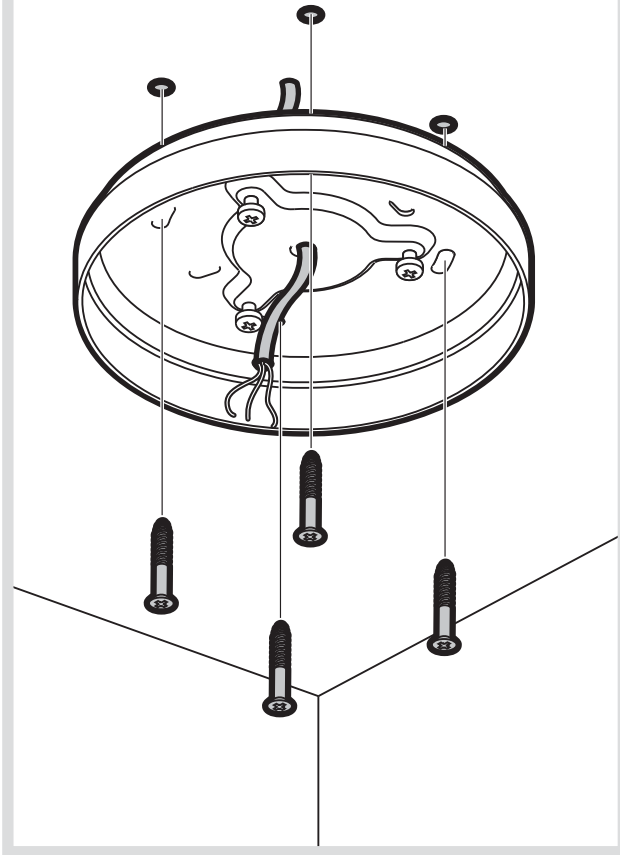
7



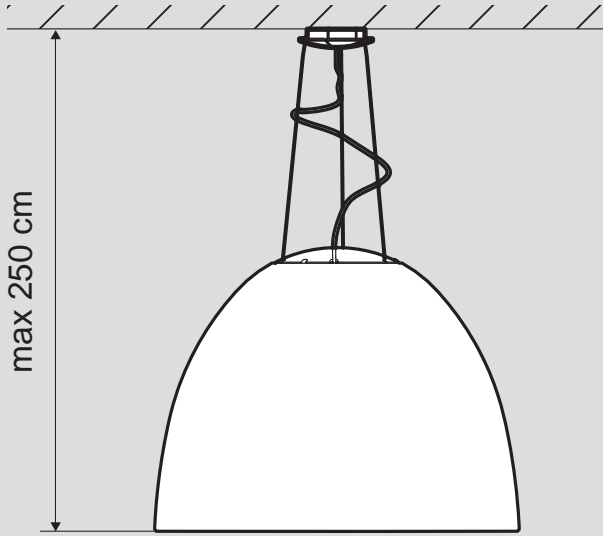
8



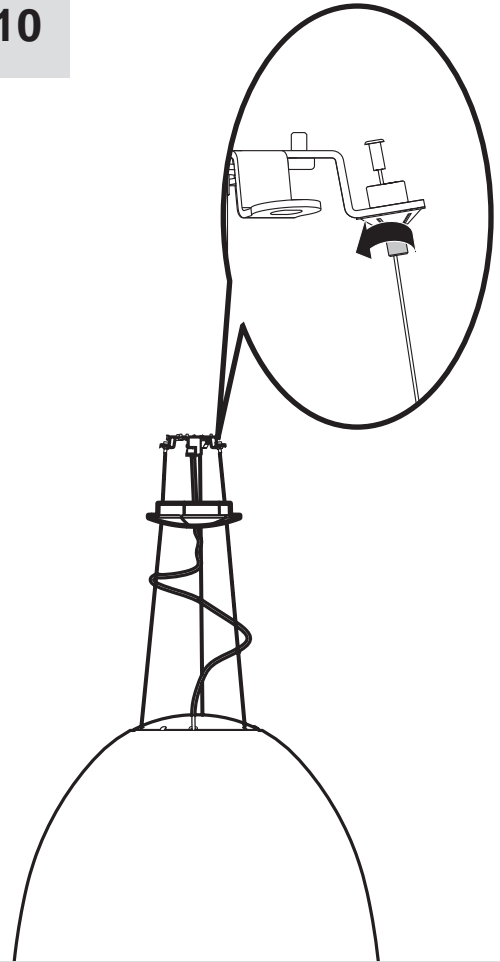
9



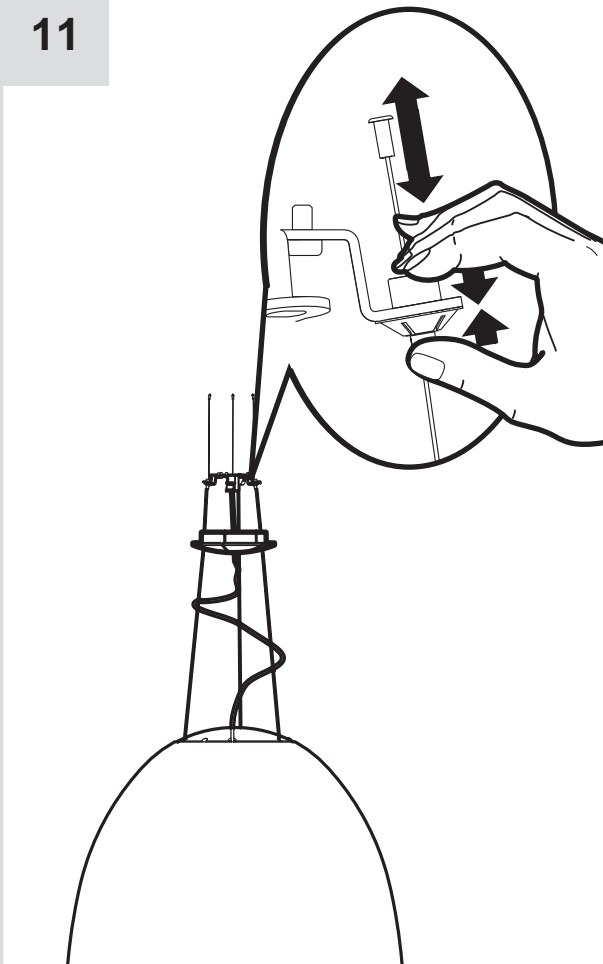
**i**



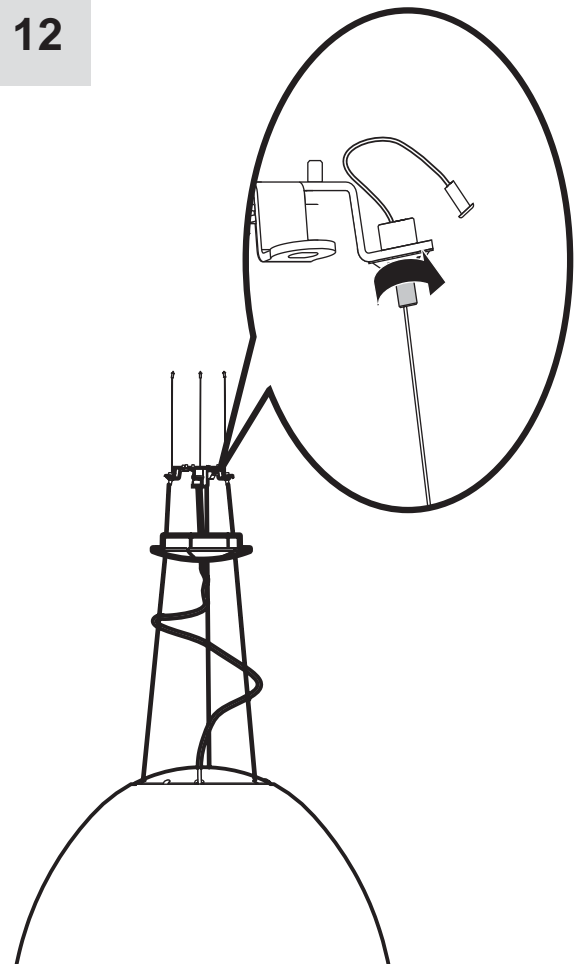
**10**



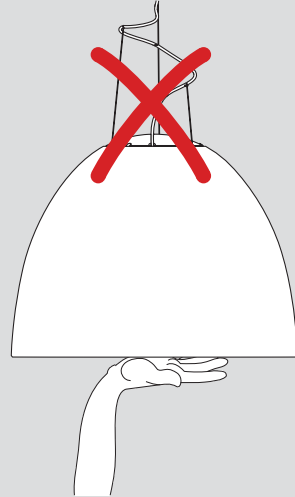
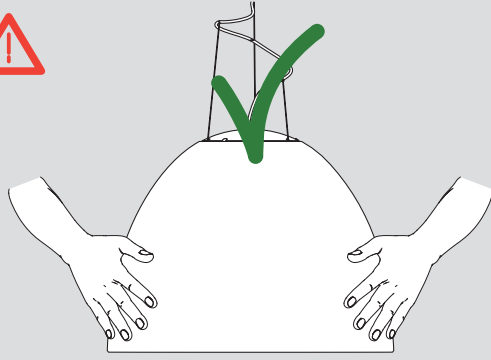
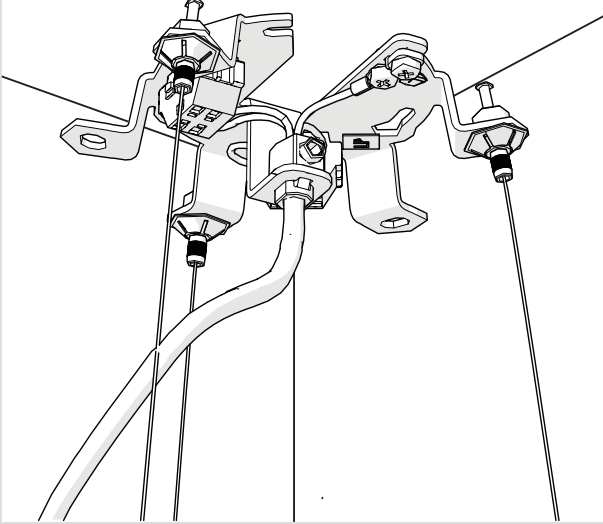
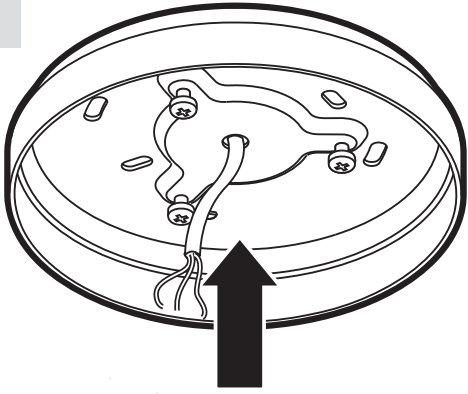
**11**



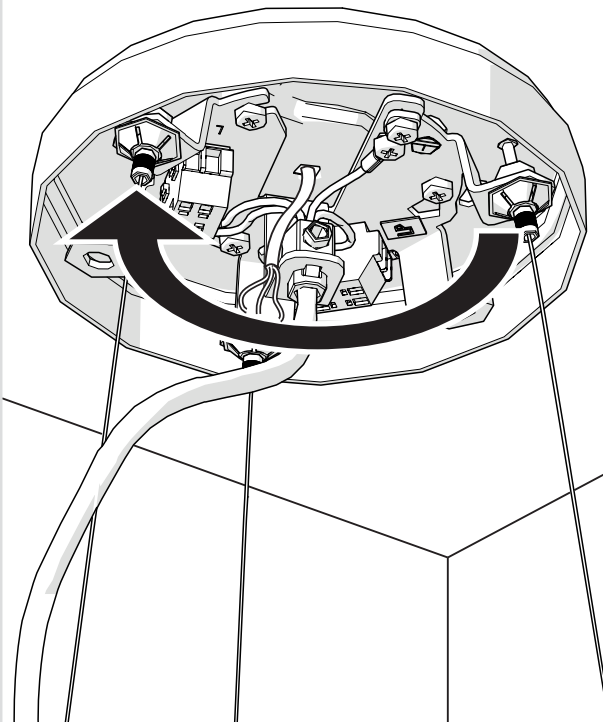
**12**



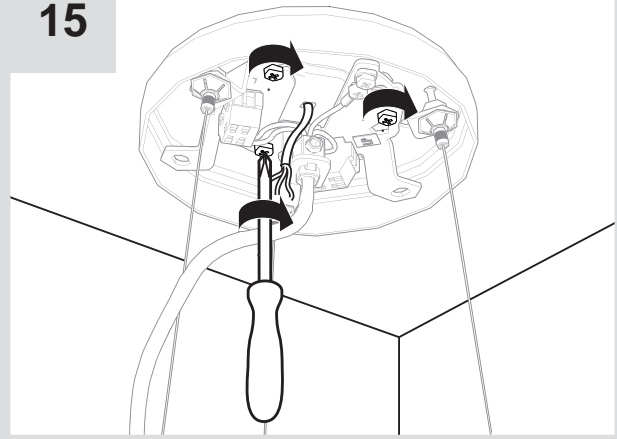
13



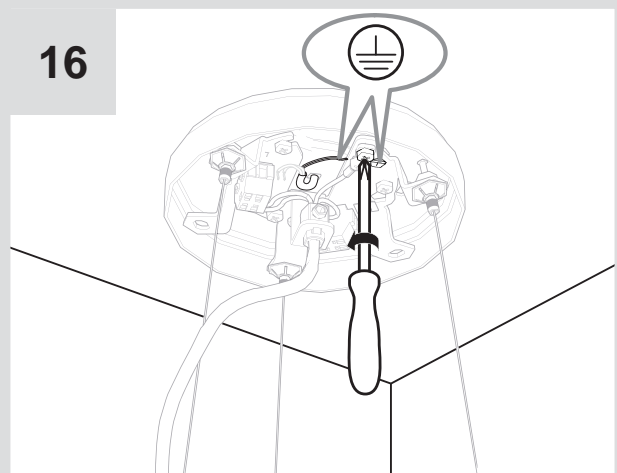
14



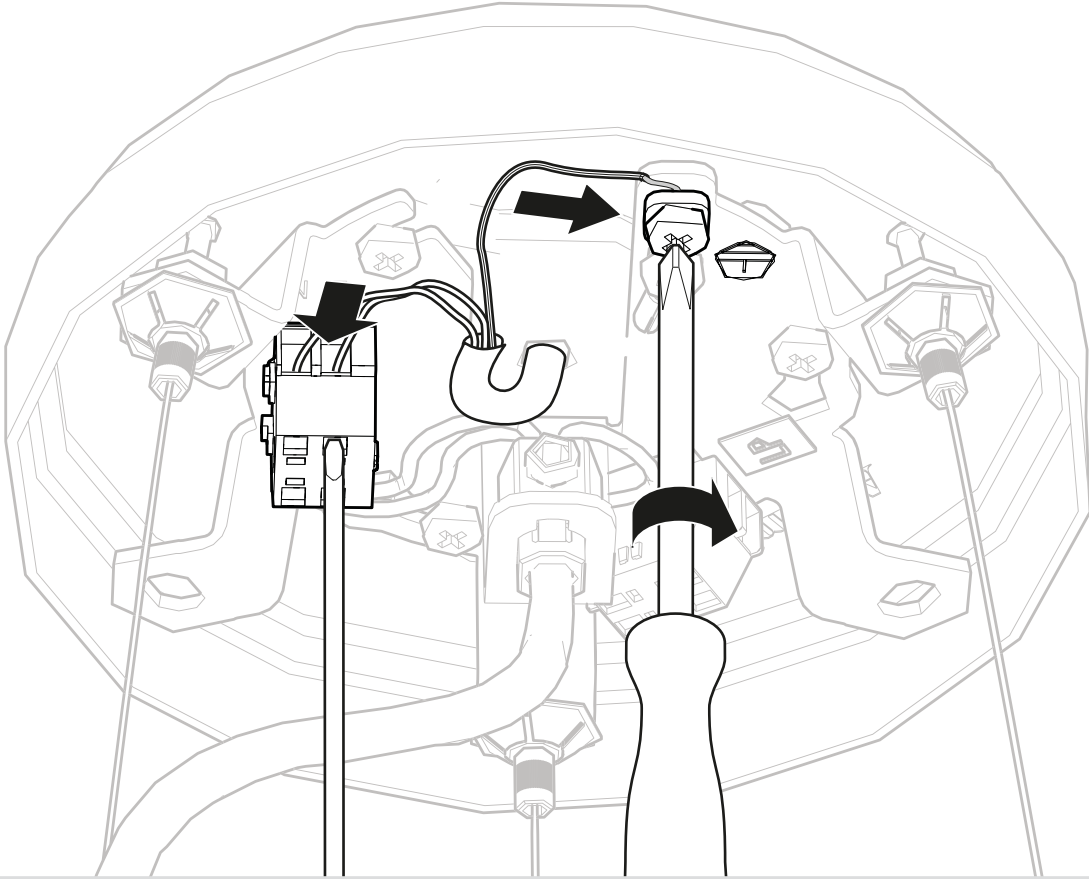
15



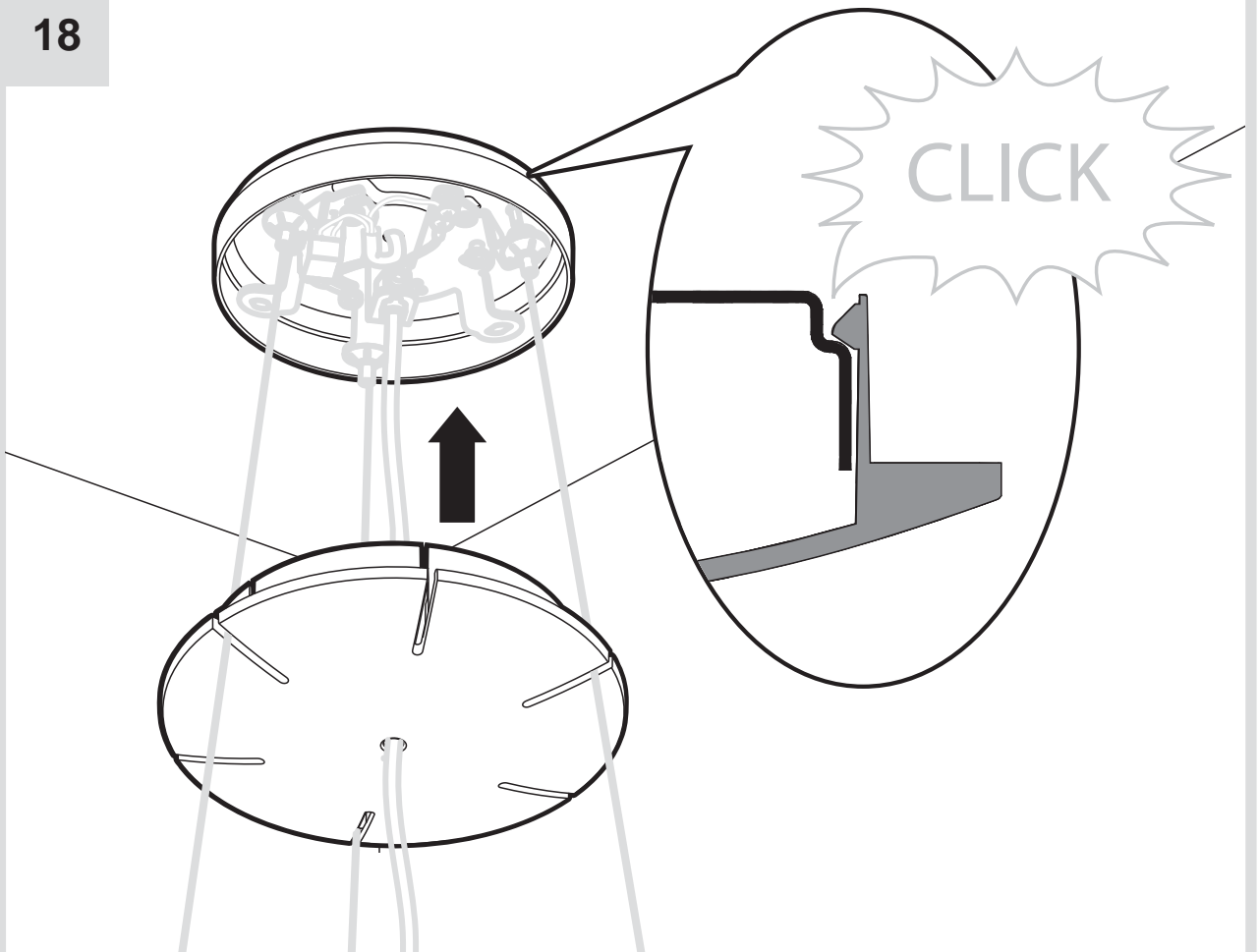
16



17

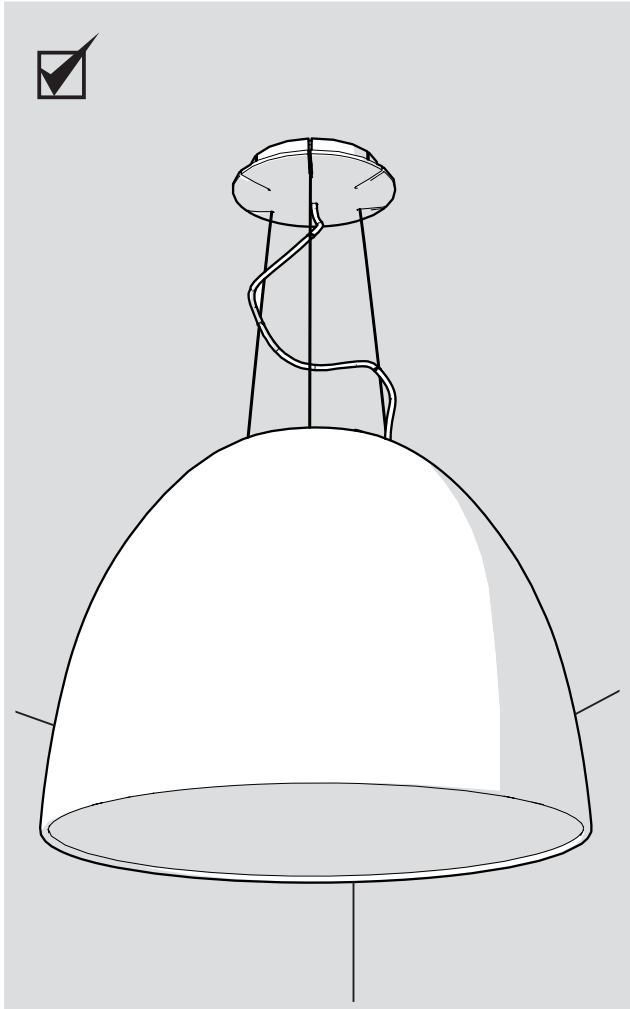
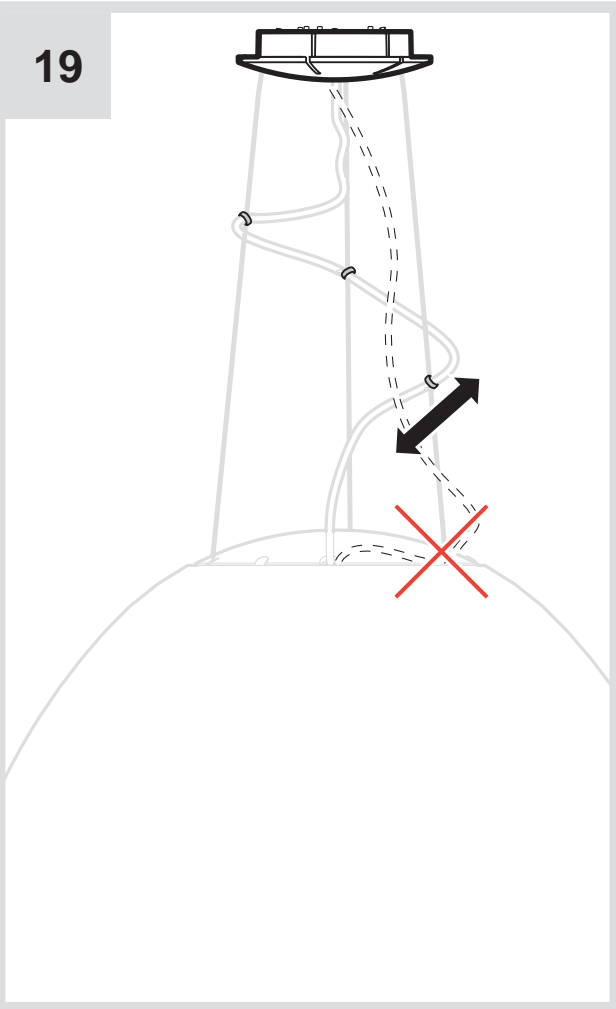


18





19



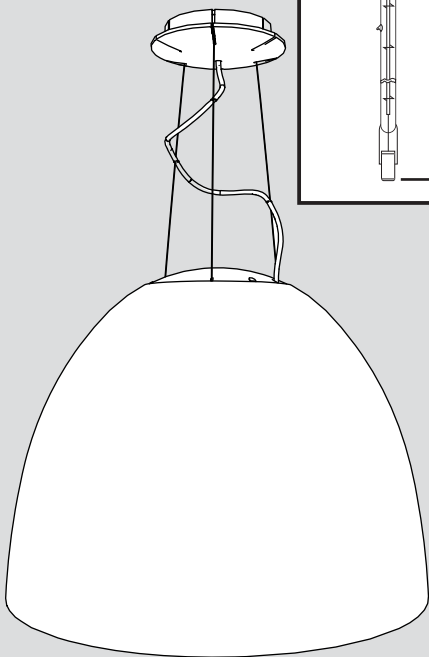
**i**

Halo max 10mm	LED max 22mm	118mm

**MAX 400W - R7s**

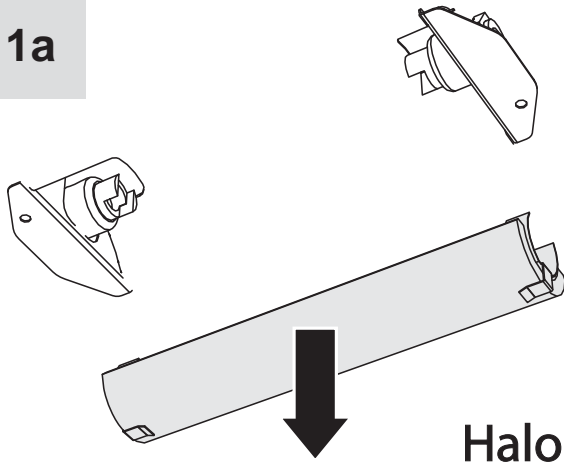
Halo: HDG - 9000 lm

LED: DRDG - 1200 lm





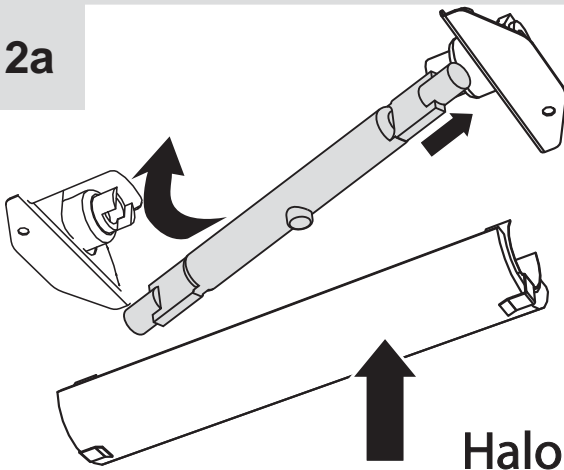
1a



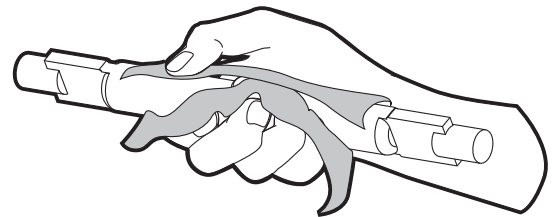
Halo



2a

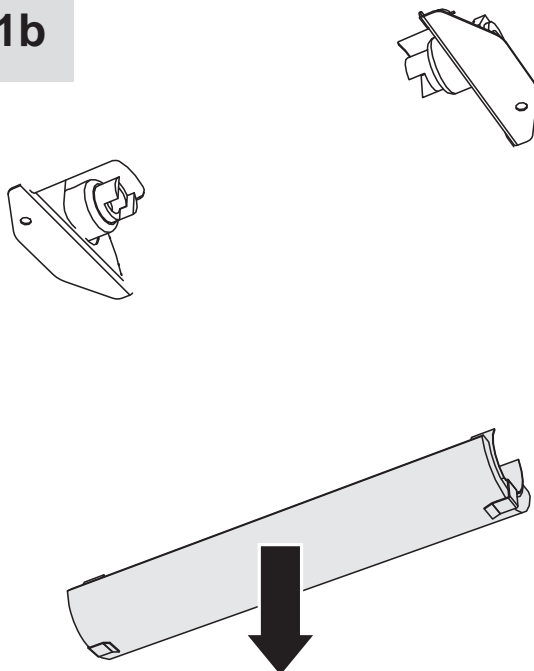


Halo



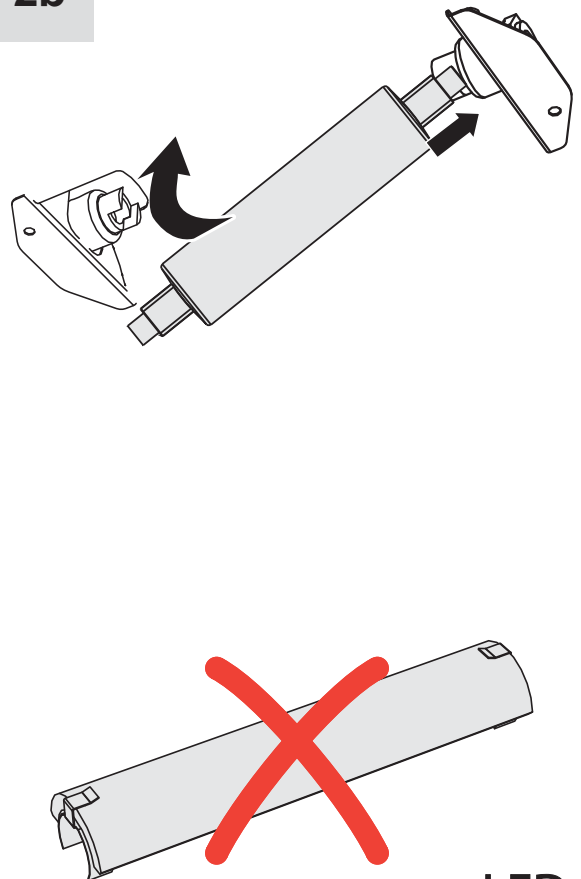
Halo

1b



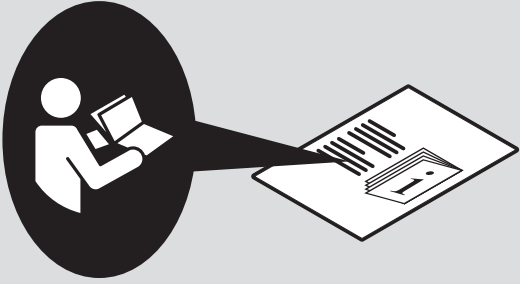
LED

2b



LED

i



1



**Artemide®**



## **Artemide**

via Bergamo, 18  
20010 Pregnana M.se (MI)  
ITALIA

tel. +39 02 935 181  
fax +39 02 935 90 254  
fax +39 02 935 90 496

[www.artemide.com](http://www.artemide.com)

VAT IT00846890150

cod. Y513000661