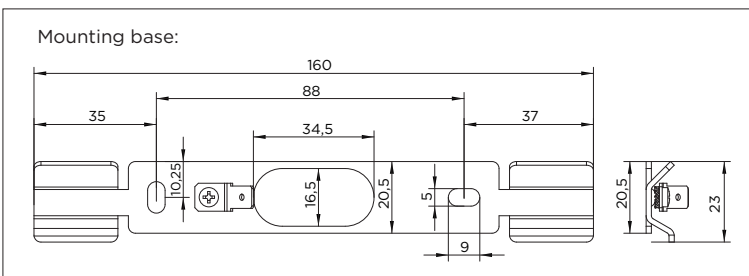
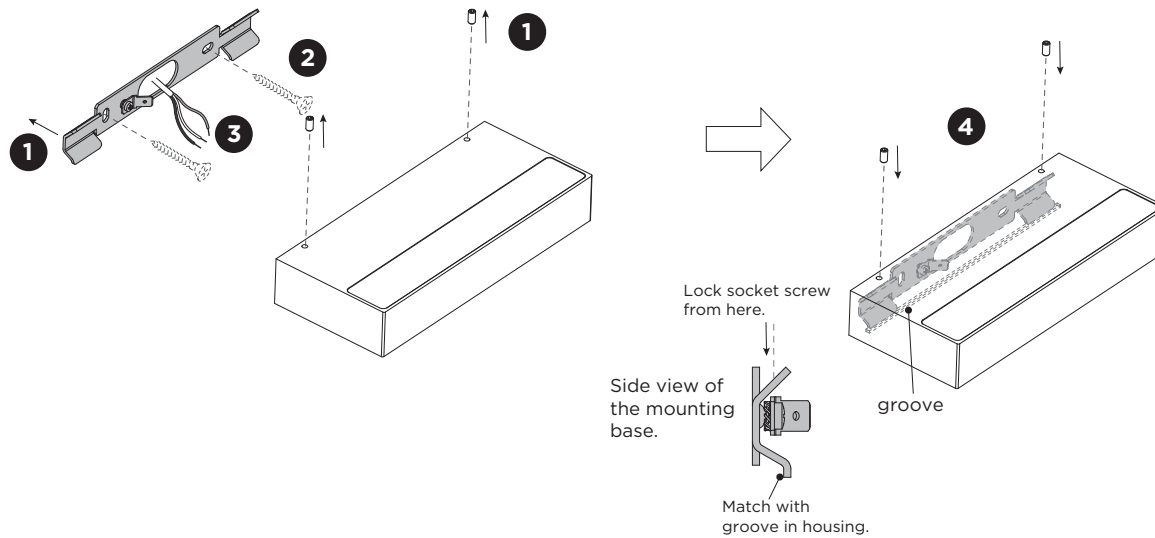
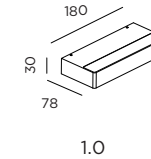


DOMINO

INSTALLATION INSTRUCTIONS | NOVEMBER 2022

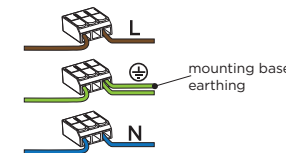


DIMENSIONS



MOUNTING INSTRUCTION

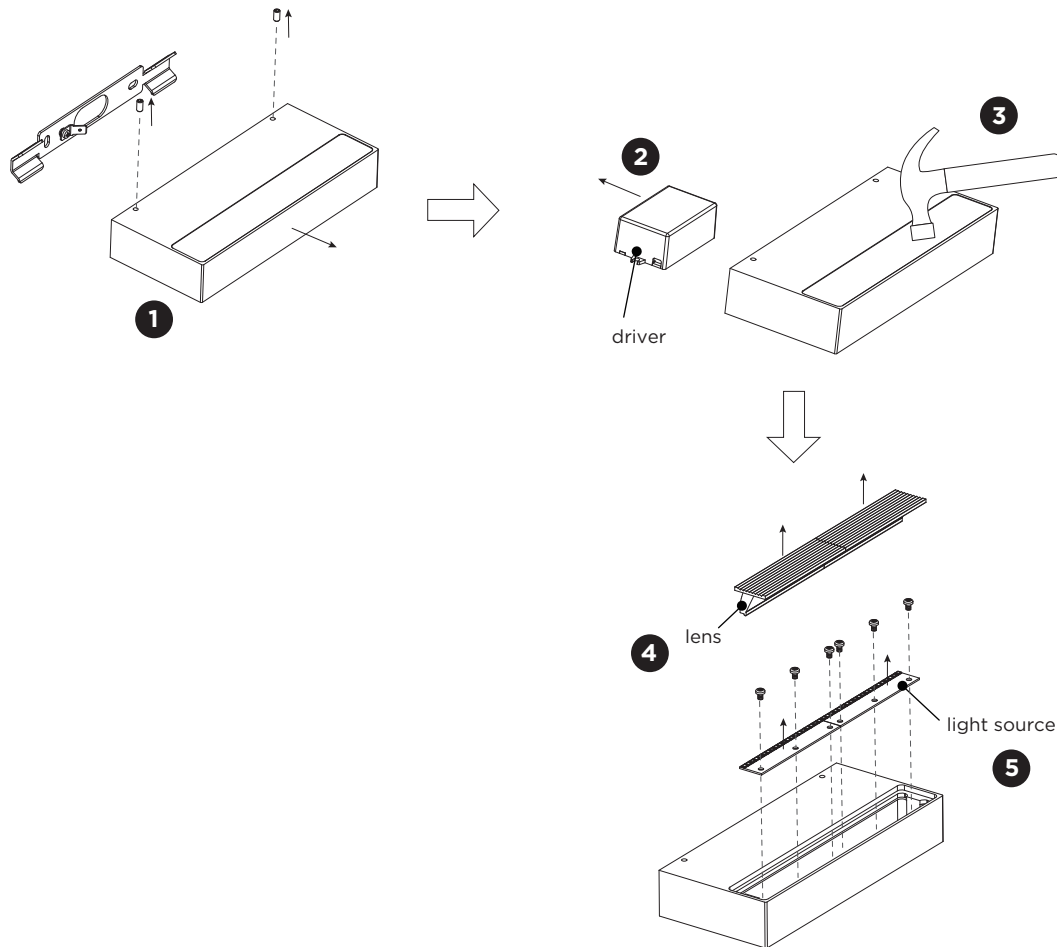
- 1 Remove the mounting base from the luminaire by loosening the socket screws.
- 2 Mount the mounting base on the wall with screws (screws are not included).
- 3 POWER CONNECTION
Connect to 220-240V.



Connect the mounting base earth cable.



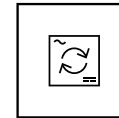
- 4 Fix the luminaire on the base with the socket screws and aligning the base with the housing like shown in the detail.



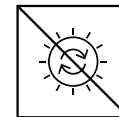
DISMOUNTING AND RECYCLING INSTRUCTIONS

Light source & driver

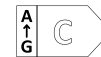
- 1 Loosen the socket screws from the fixture to remove it from the mounting base.
- 2 Disconnect the wires and pull out the driver.
- 3 Break the glass.
- 4 Take out the lenses.
- 5 Unscrew the screws, disconnect the wires and remove the light sources.



The driver can be replaced by the end user.



The light source is not replaceable.



This luminaire contains a light source with the energy class C.