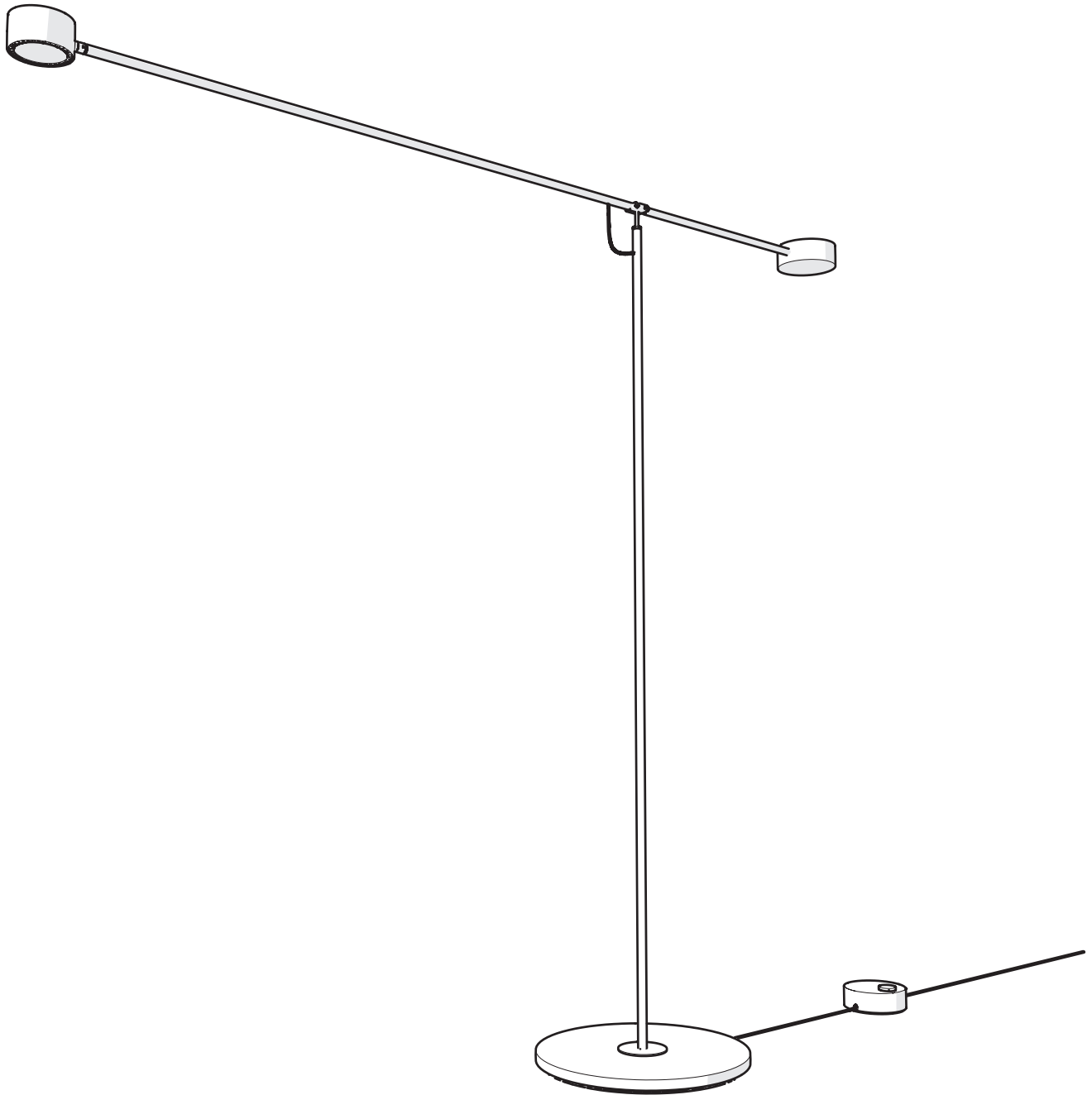


m o o o i[®]
T Lamp

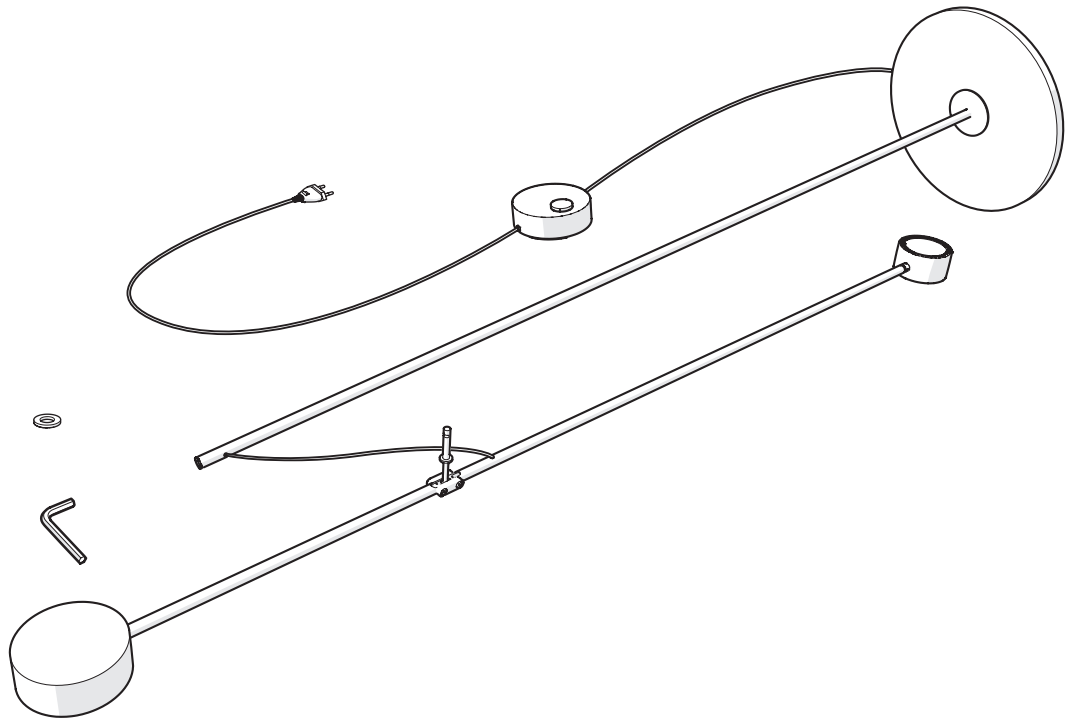


visit www.moooi.com for more information about the collection

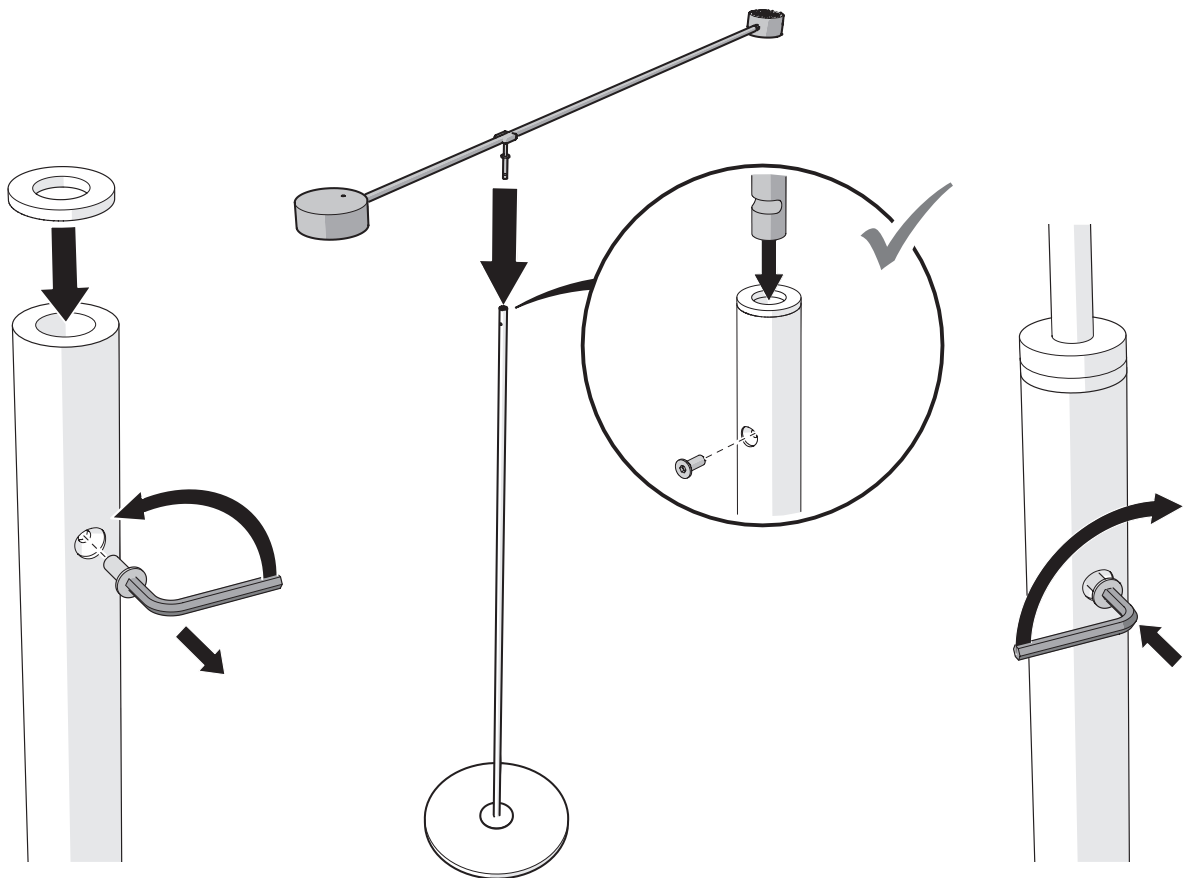
m o o o i

T Lamp

1



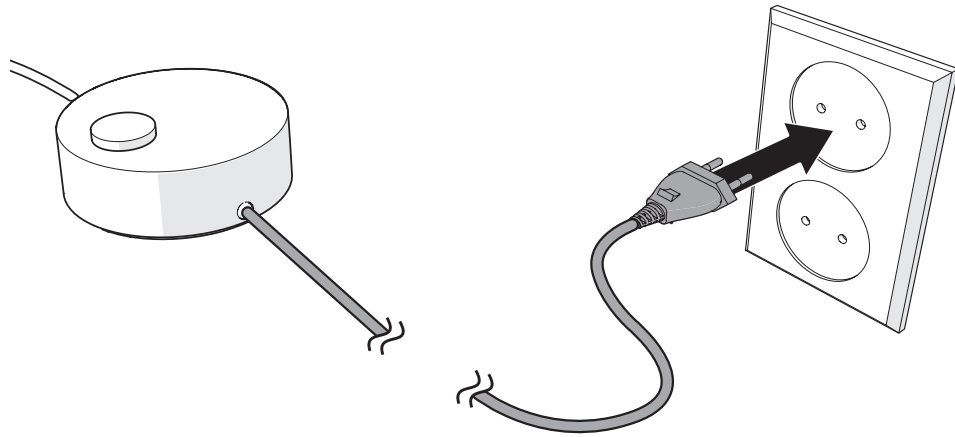
2



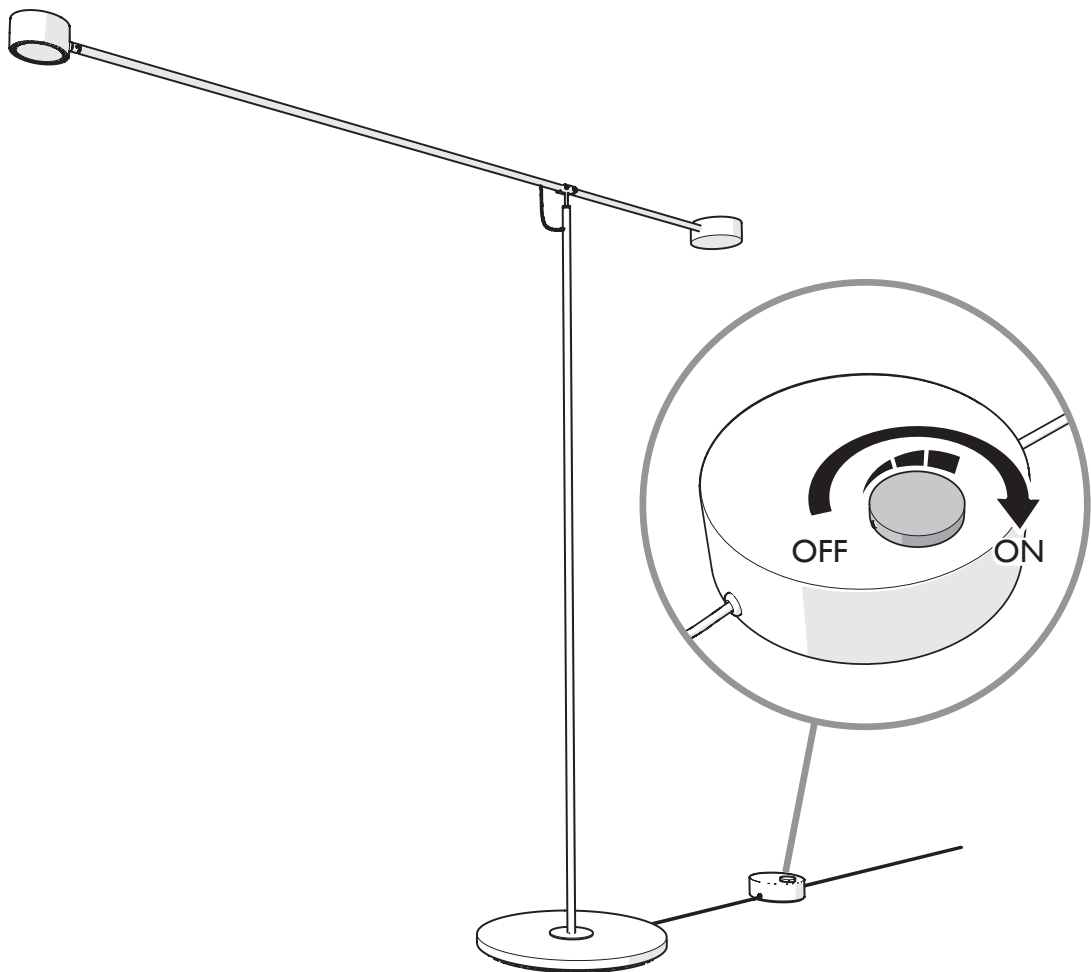
moooi

T Lamp

3



4



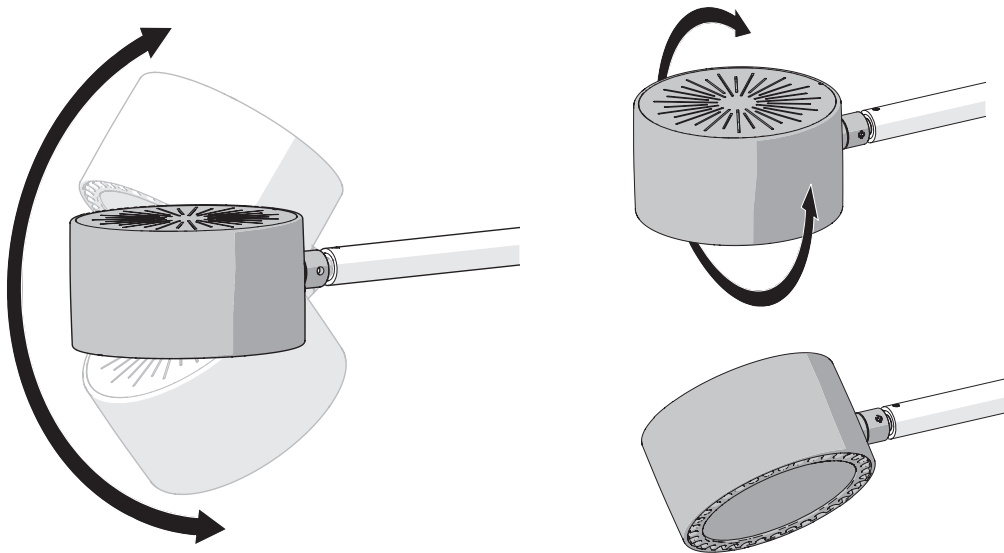
m o o o i

T Lamp

5



6



IF THE EXTERNAL CABLE IS DAMAGED, IT SHALL EXCLUSIVELY BE REPLACED BY THE MANUFACTURER, HIS SERVICE AGENT OR A SIMILAR QUALIFIED PERSON IN ORDER TO AVOID THE HAZZARD