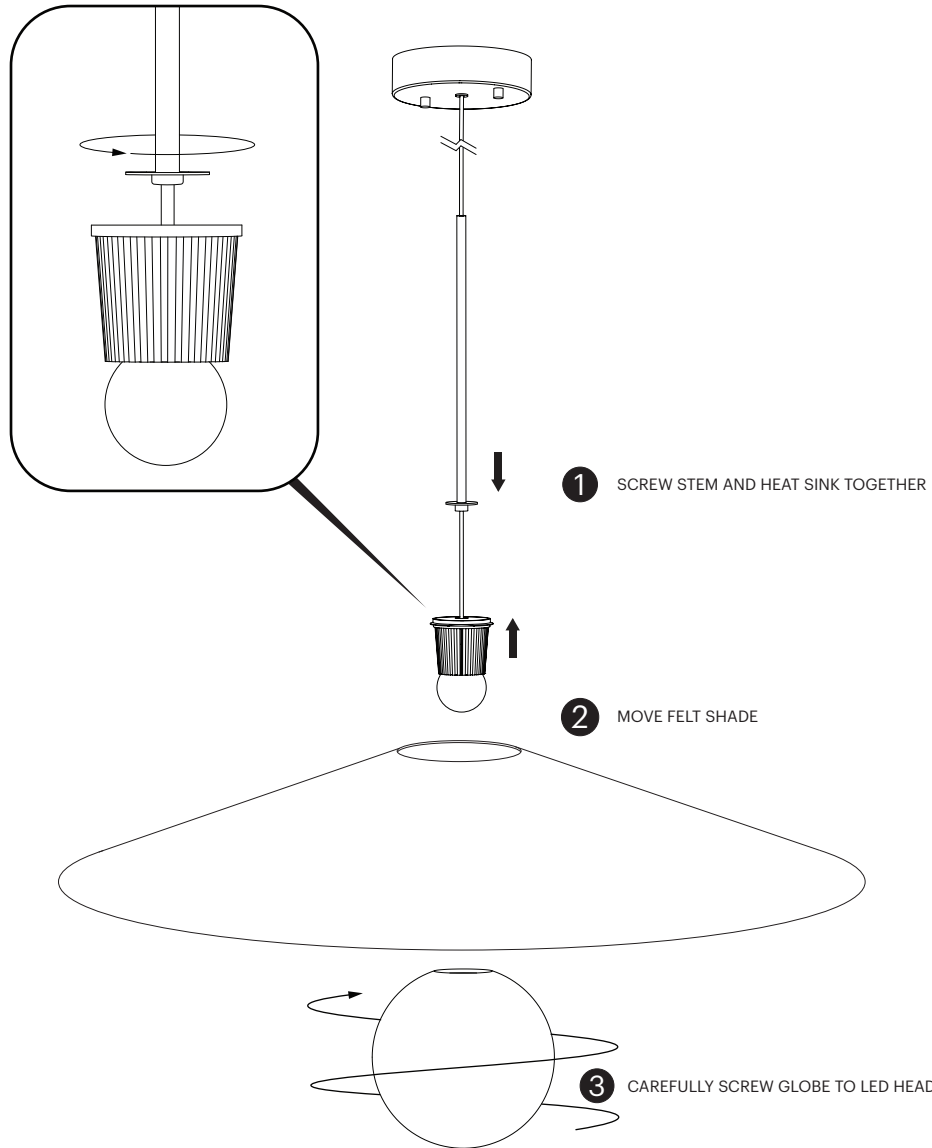


BOLA FELT



BOLA

DISC / FELT

120/240V ASSEMBLY & INSTALLATION INSTRUCTIONS

INFO@PABLODESIGNS.COM
888 MARIN STREET
SAN FRANCISCO, CA
94124

PABLODESIGNS.COM

CARE INSTRUCTIONS

LIGHT - WIPE WITH A DRY CLEAN CLOTH.

SHADE - TO REMOVE DUST AND SMALL DEBRIS: CLEAN WITH A SOFT HAIR BRUSH OR USE A VACUUM.
TO REMOVE OTHER SUBSTANCES: USE A DAMP CLOTH AND IF NEEDED A MILD DETERGENT.

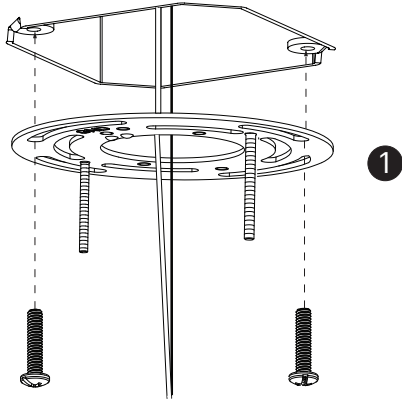
AVOID AMMONIA-BASED CLEANERS.



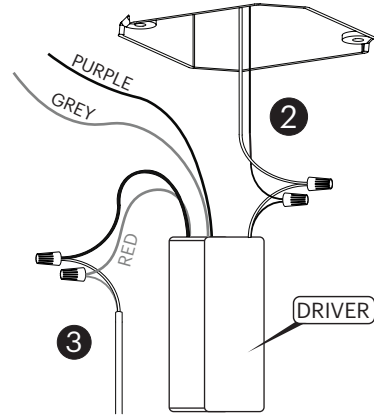
BOLA CANOPY

1. ATTACH MOUNTING PLATE TO JUNCTION BOX OR CEILING
2. WIRE TRANSFORMER TO BUILDING
(US: BLACK TO BLACK AND WHITE TO WHITE)
(EU: BLUE TO BLACK AND BROWN TO RED)
3. CUT CORD TO DESIRED LENGTH AND PASS THROUGH CANOPY. WIRE TRANSFORMER TO LAMP
(US: BLUE TO BRAIDED AND RED TO RED)

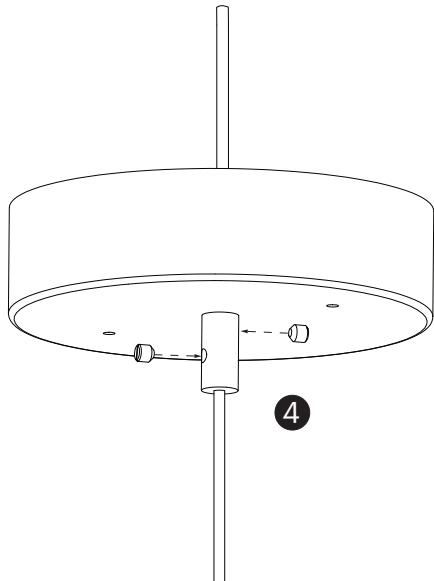
- (EU: BLACK TO BRAIDED AND RED TO RED)
NOTE: PURPLE AND GREY CORDS ARE USED ONLY WITH 0-10 V DIMMER SWITCH.
4. TIGHTEN SET SCREWS ON CORD RELIEF
 5. BRING CANOPY UP TO MOUNTING PLATE WITH BOLTS PASSING THROUGH THE HOLES
 6. SCREW BOTH CAPS DOWN, SECURING THE CANOPY



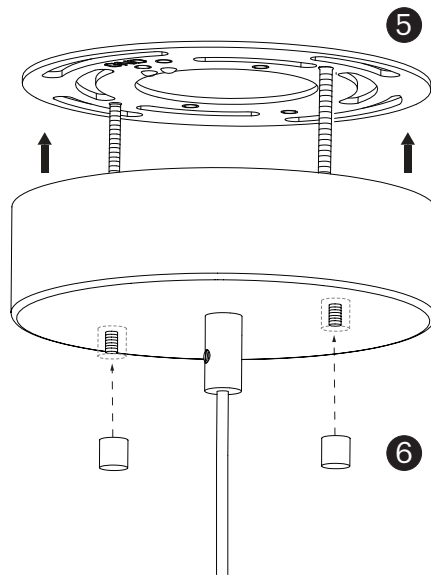
1



BOLA IS A CLASS II FIXTURE. IT DOES NOT REQUIRE GROUNDING.



4



5

6

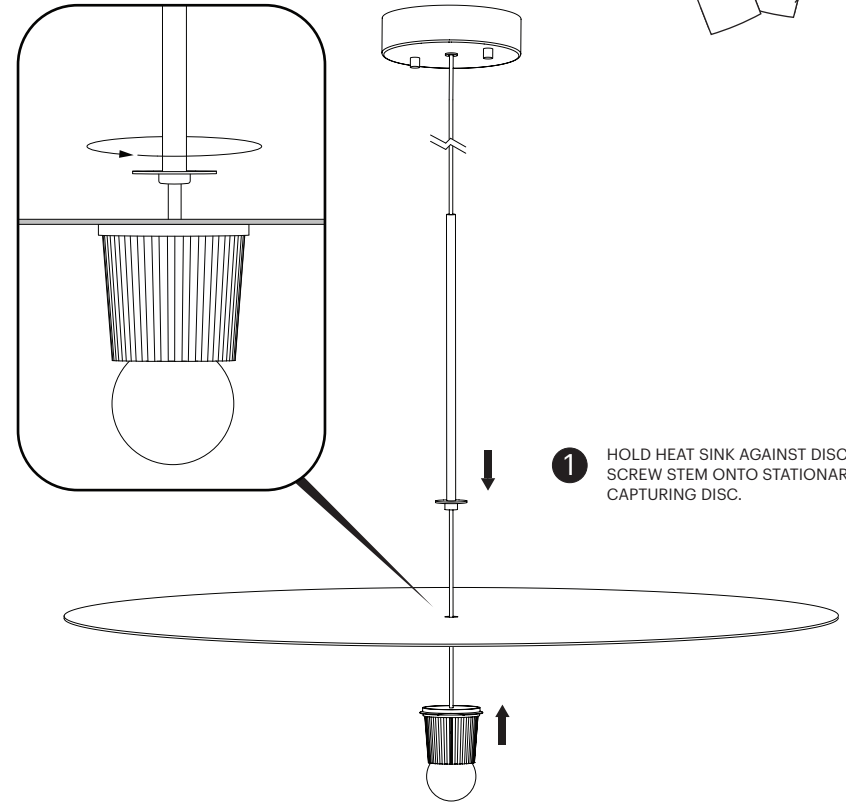
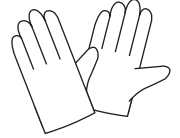
IMPORTANT: WE RECOMMEND CEILING MOUNTING BE INSTALLED BY AN ELECTRICIAN

LENGTH OF CORD SUPPLIED
10FT (305 CM)

BOLA DISC

NOTE: DISC COMES WRAPPED IN PROTECTIVE SLEEVE. LEAVE SLEEVE ATTACHED UNTIL LAMP IS FULLY ASSEMBLED

USE PROVIDED GLOVES WHEN HANDLING LAMP TO AVOID FINGER MARKS.



1

HOLD HEAT SINK AGAINST DISC AND SCREW STEM ONTO STATIONARY HEAT SINK CAPTURING DISC.

2

CAREFULLY SCREW GLOBE TO HEAT SINK.

3

TEAR PROTECTIVE SLEEVE OFF OF DISC.

BULB TYPE
LED
FULL RANGE LIGHT CONTROL VIA
120V DIMMER (US)
OR ELV DIMMER (EU)

BULB REPLACEMENT
CONTACT MANUFACTURER FOR BULB
REPLACEMENT

LENGTH OF CORD SUPPLIED
10FT (305CM)

CARE:
WIPE WITH A DRY CLEAN CLOTH.