

Pablo®

SUPERLIGHT

ASSEMBLY & INSTALLATION INSTRUCTIONS

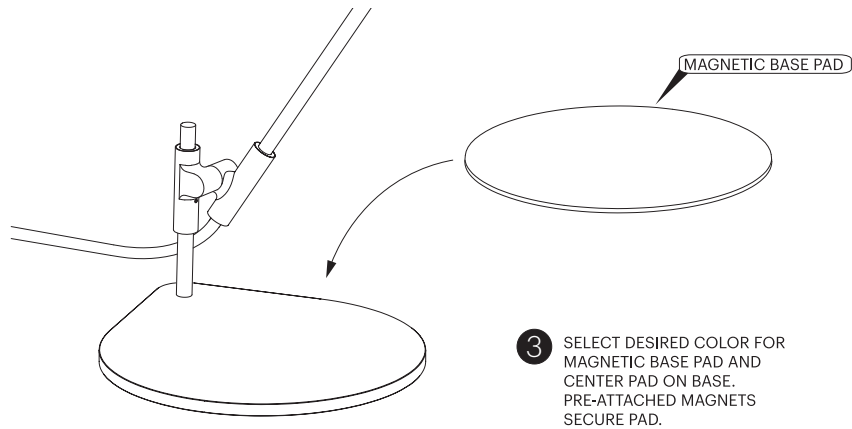
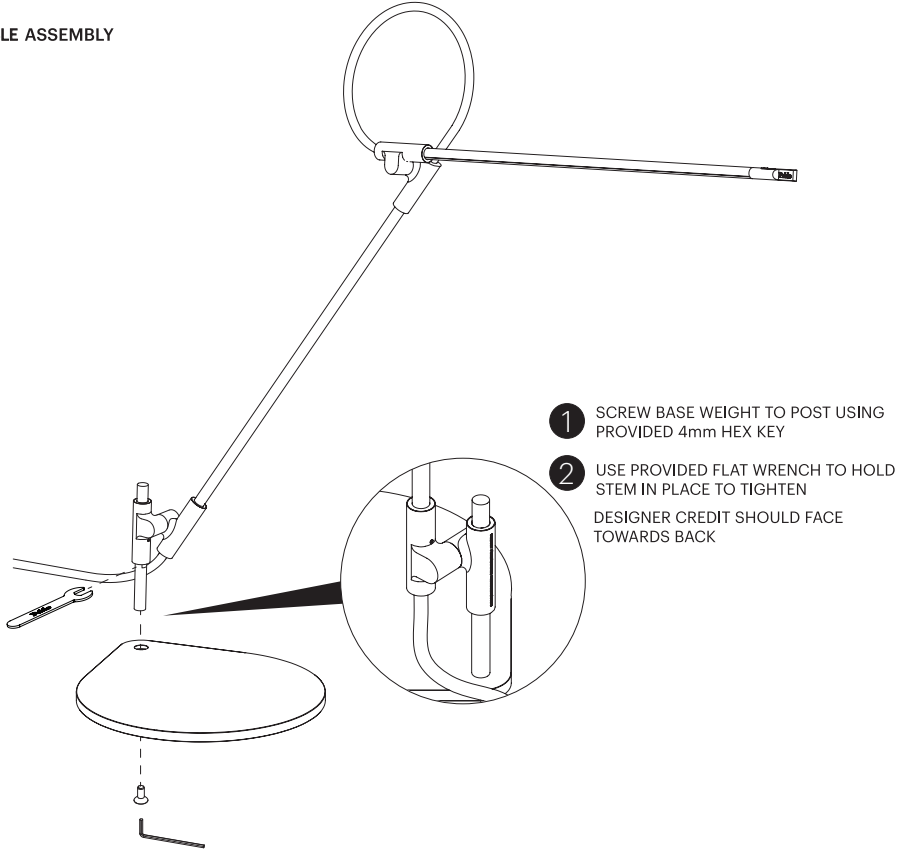
INFO@PABLODESIGNS.COM
888 MARIN STREET
SAN FRANCISCO, CA
94124

PABLODESIGNS.COM



SUPERLIGHT

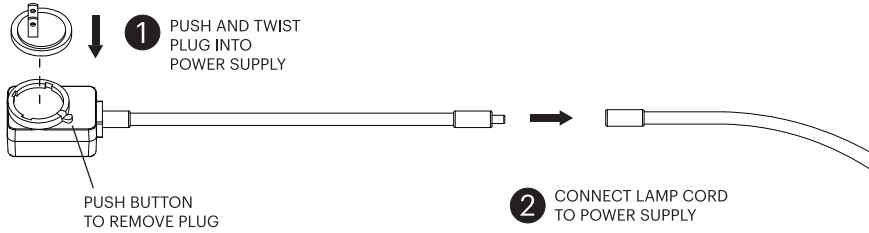
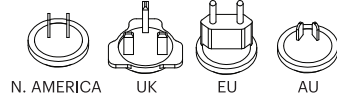
TABLE ASSEMBLY



SUPERLIGHT

POWER SUPPLY

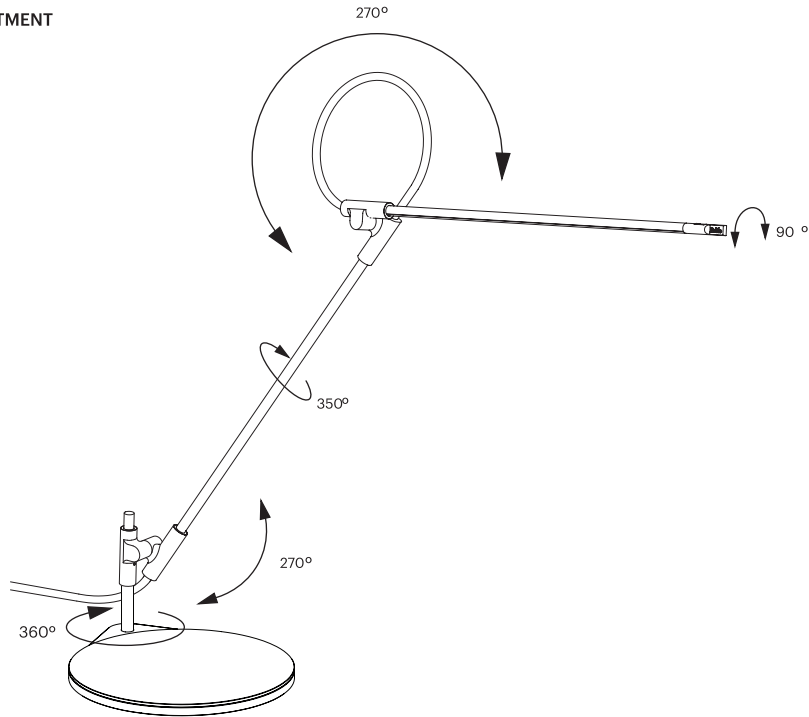
PLUG TYPES AVAILABLE:



USE ONLY PABLO POWER SUPPLY PROVIDED

LENGTH OF CORD SUPPLIED: 9FT (274 CM)

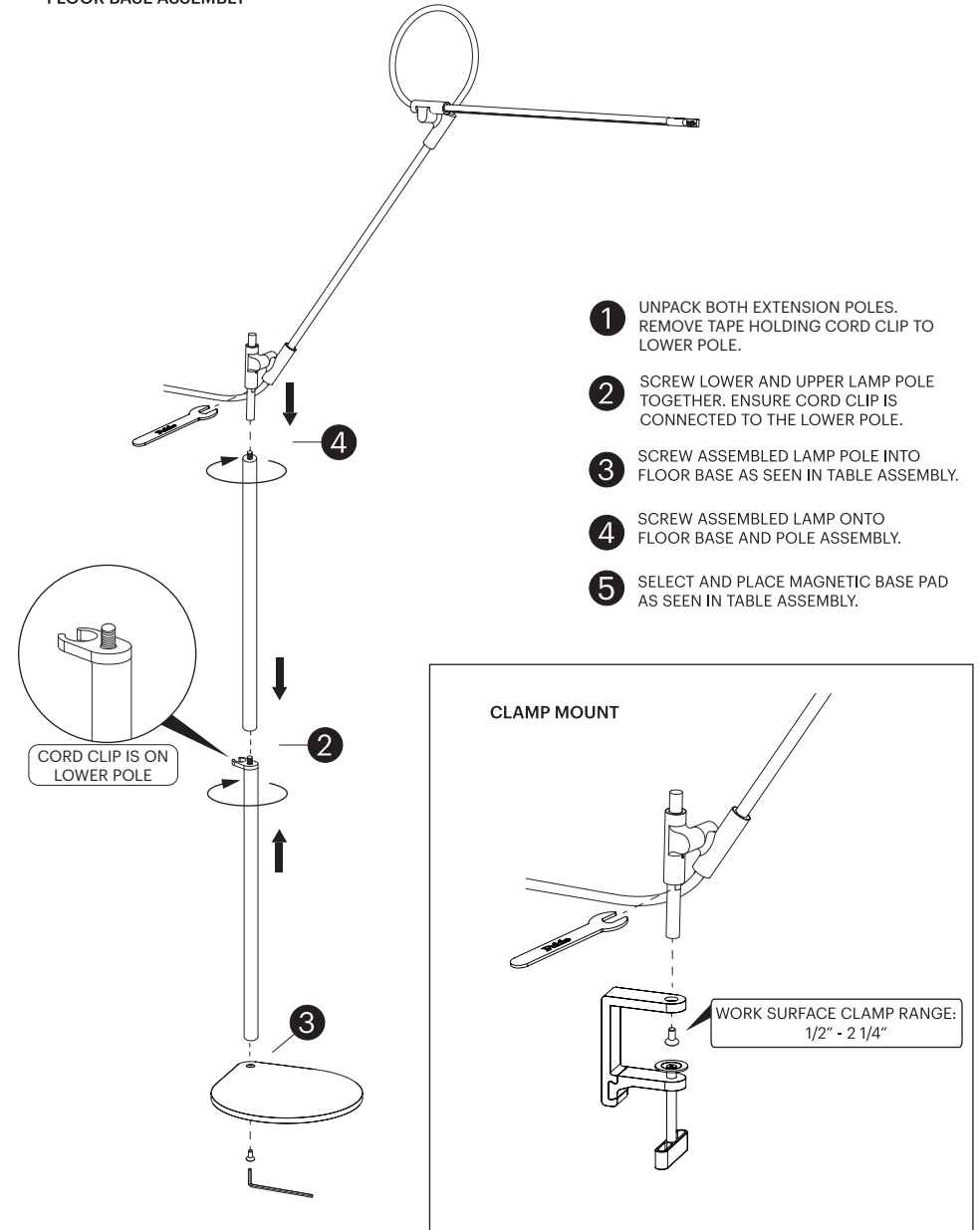
ADJUSTMENT



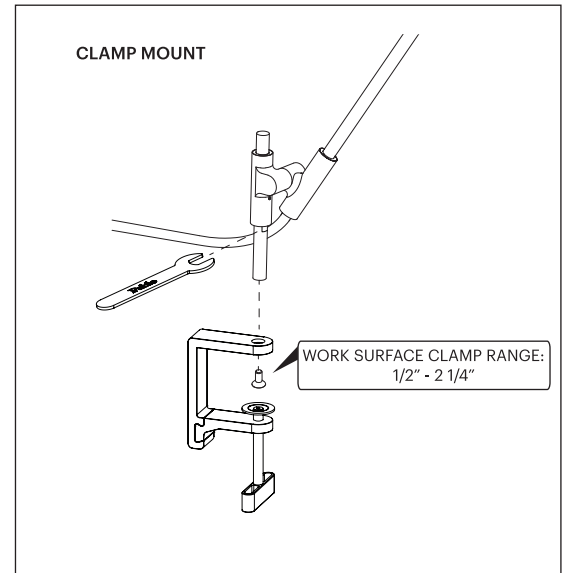
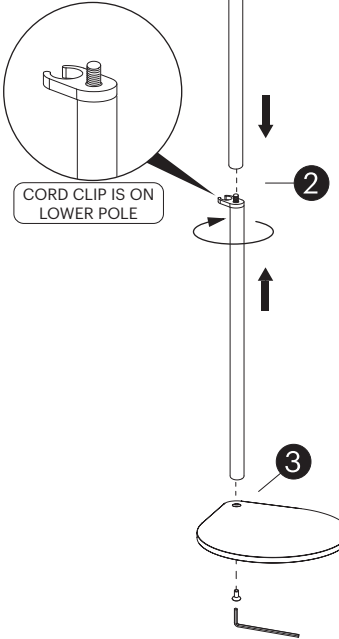
CARE INSTRUCTIONS
WIPE CLEAN WITH A SOFT DAMP CLOTH.
AVOID AMMONIA-BASED CLEANERS.

SUPERLIGHT

FLOOR BASE ASSEMBLY

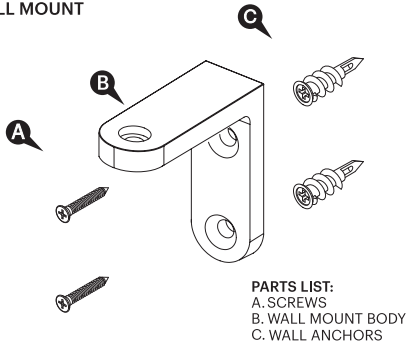


- 1 UNPACK BOTH EXTENSION POLES. REMOVE TAPE HOLDING CORD CLIP TO LOWER POLE.
- 2 SCREW LOWER AND UPPER LAMP POLE TOGETHER. ENSURE CORD CLIP IS CONNECTED TO THE LOWER POLE.
- 3 SCREW ASSEMBLED LAMP POLE INTO FLOOR BASE AS SEEN IN TABLE ASSEMBLY.
- 4 SCREW ASSEMBLED LAMP ONTO FLOOR BASE AND POLE ASSEMBLY.
- 5 SELECT AND PLACE MAGNETIC BASE PAD AS SEEN IN TABLE ASSEMBLY.



SUPERLIGHT

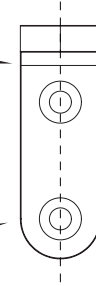
WALL MOUNT



1 USE THE WALL MOUNT BODY AS A TEMPLATE FOR MARKING THE WALL ANCHOR LOCATION.

PLACE THE WALL MOUNT BODY IN THE DESIRED LOCATION. MAKE SURE IT IS ALIGNED VERTICALLY.

MARK THE CENTER OF THE TWO VERTICALLY ALIGNED HOLES.

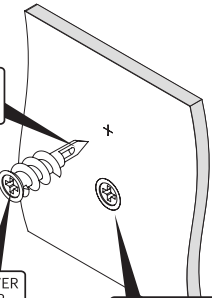


2 REMOVE THE WALL MOUNT BODY FROM THE WALL AND INSTALL BOTH WALL ANCHORS.

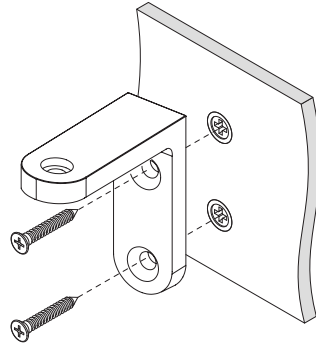
TAP THE UNTHREADED TIP OF THE ANCHOR INTO THE WALL.

USE A PHILLIPS SCREWDRIVER TO COMPLETE THE ANCHOR INSTALLATION.

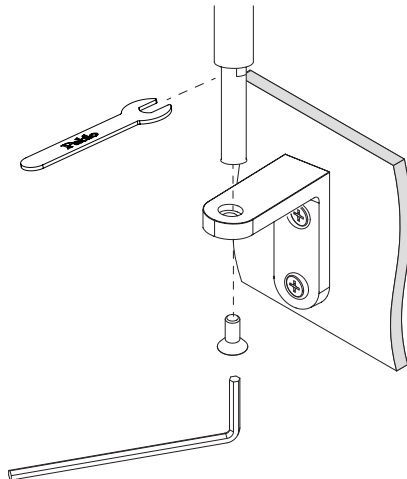
THIS SURFACE SHOULD BE FLUSH WITH THE WALL.



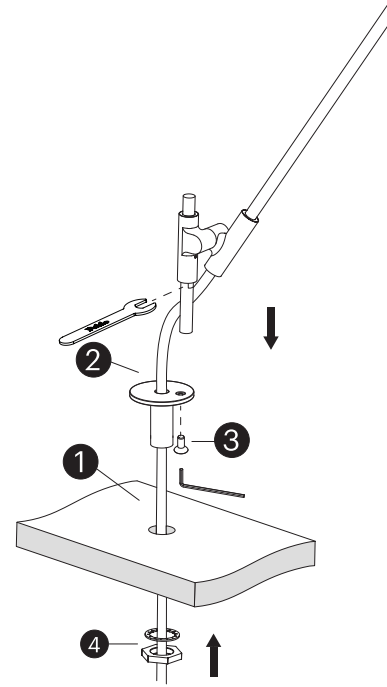
3 SCREW THE WALL MOUNT BODY TO THE ANCHORS WITH THE SCREWS PROVIDED.



4 SCREW THE LAMP TO THE WALL MOUNT BODY



SUPERLIGHT

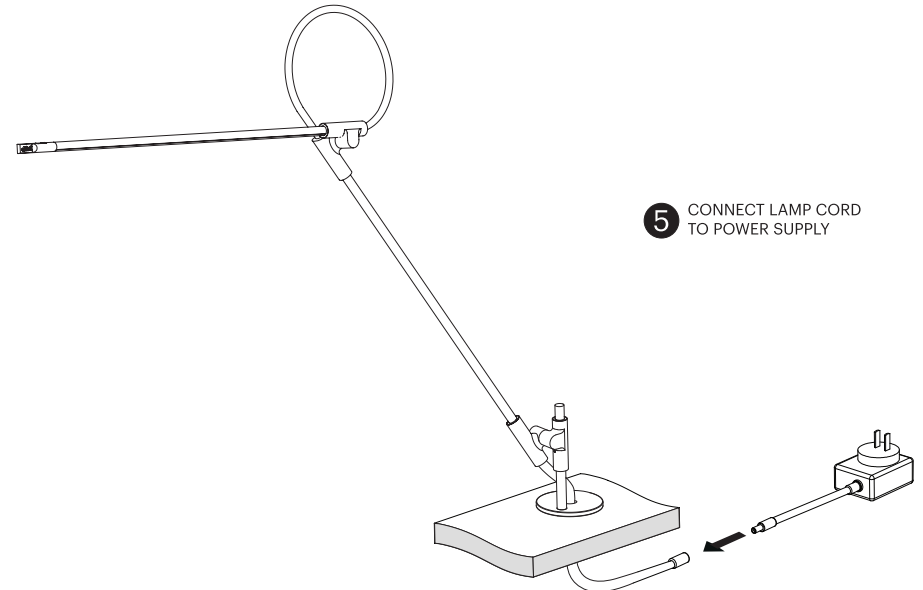


1 DRILL 7/8" (2.2 CM) DIAMETER HOLE INTO TABLE SURFACE. MAXIMUM TABLE THICKNESS IS 1.375" (3.5 CM)

2 FEED CORD THROUGH GROMMET HOLE

3 SCREW LAMP TO GROMMET

4 THREAD WASHER AND NUT ONTO GROMMET AS SHOWN AND TIGHTEN TO SECURE.



5 CONNECT LAMP CORD TO POWER SUPPLY